



To Make Your Embedded Idea a Reality

- In-Vehicle Computer
- Embedded Computer
- Gaming Solution
- Networking Appliance
- Panel PC

Research and
Development



Product
Manufacturing



Quality
Assurance



Professional
Consultancy



Customer
Service



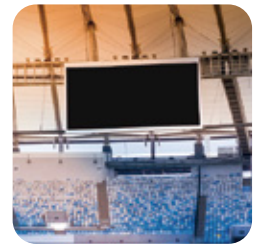
Customer
Value



Customization



Innovation



Company Profile

Founded in 1987, Acrosser is a global pioneer in the evolution of industrial computing. For several decades now, Acrosser had provided innovative embedded computer solutions and high-quality hardware products at very competitive prices to over thousands of customers world-wide, substantially helped them reduce time-to-market and gain high-level competence to succeed and win in the marketplace.



Business Scope



Wide Array of Standard Industrial PC Products

Acrosser designs a wide array of commercially-off-the-shelf (COTS) single board computer (SBC) products, all following International Open Standards. Acrosser manufactures SBCs; such as embedded PC/104(+), EPIC, embedded ATX, mini-ITX, industrial ISA, PCI, PCI-Express, among others. These products/ solutions provide easy-maintenance, faster-upgrade and offer international compatibility advantages; thereby saving your initial investment/s. Acrosser offers a broad range of product lines (SBCs, embedded computers, panel PCs, networking appliances) that efficiently performs in various widely-used major operating systems such as: Windows®7, Windows®8, Windows®10, Linux Fedora, Linux Ubuntu, and many others.



In-Depth and Versatile Applications Experience

Since 1987, Acrosser had and continues to assist its customers develop various embedded systems for different industries and applications such as: network security, wireless appliances, gaming, medical, industrial automation, surveillance, POS, KIOSK, digital signage, home and building automation, instrumentation, marine, military, transportation, etc. Acrosser's team of professionals has the necessary knowledge of the vertical markets, and can help its customers develop the right solutions to easily pass the required certificates in projects, such as: FDA for medical, GLI, Comma 6A for gaming, and FCC/ CE for all products.



Top Quality Assurance with Long Life-Cycle Supply

Acrosser, through the years, had been and continues to be among preferred vendors of thousands of customers world-wide, some of which rank among the top Fortune 500 companies. Acrosser's implementation of 100% ESS (Environmental Stress Screen) burning, dynamic vibration and various functional tests on every mass production unit help its customers save from costly RMA repairs. As for its commitment to high quality products, Acrosser designs all products based on its embedded roadmap with a minimum 5-year product life. Along with a very strict revision control system, Acrosser provides its customers with stable, long term products supply.

Acrosser values and encourages participation from all its employees, and believes that everyone contributes to Acrosser's overall success. With a mission statement "Making Your Embedded Idea a Reality", Acrosser keeps its major promise to all its customers by continuously developing innovative solutions, and providing professional and cost-effective OEM/ODM/JDM custom design services in a timely manner. In the bottom-line, Acrosser will assist you and your company in becoming a market leader, and substantially help in building and achieving a win-win business partnership together.



Table of Contents

CPU/Chipset	Form Factor	Model No.	Page
In-Vehicle Computer			
Intel Atom E3950	In-Vehicle PC	AIV-APL1V1FL	8
Intel QM97	In-Vehicle PC	AIV-QM97V1FL	10
Intel HM76	In-Vehicle PC	AIV-HM76V1FL	12
Intel HM76	In-Vehicle PC	AIV-HM76V0FL	14
Intel Atom D525	In-Vehicle PC	AR-V6002FL	16
	Car Monitor	AR-DP071VW	18
	Car Monitor	AR-DP080V	19
	Car Monitor	AR-DP080VW	20
	Car Monitor	AR-DP100V/VD	21
Gaming Platform			
Intel HM76	Proprietary Gaming System	ACE-SHM76G1	24
AMD Fusion	Proprietary Gaming Board	AMB-A55EG1	26
Networking Appliance			
Intel PCH C236	Rackmount	ANR-C236N1	30
Intel B75	Rackmount	ANR-IB75N2/A/B	32
Intel H61	Rackmount	ANR-IH61N1/A/B	34
Intel Bay Trail Celeron J1900 / J1800	Rackmount	ANR-J190/J180N2-C612	36
Intel Bay Trail Celeron J1900 / J1800	Microbox	AND-J190/J180N2-C612	38
AMD® G-Series	Microbox	AND-G420N1	40
Embedded SBC			
Intel Bay trail	Mini-ITX	AMB-BS31T1	46
Intel Bay trail	Mini-ITX	AMB-BT45B1	48
Intel Bay trail	Mini-ITX	AMB-BT19T2	50
Intel H81	Mini-ITX	AMB-IH81T1	52
AMD-A55E	Mini-ITX	AMB-A55ET1	54
Intel HM76	COM Express type 6	AMB-HM76B1FL	55
Intel HM76	COM Express type 6	AMB-HM76B1	56
Intel Celeron N2807	3.5"	AMB-BT28S2	57
Intel Bay trail	3.5"	AMB-BT19S1	58
Intel Atom N2807	3.5"	AMB-N280S1	59
DM&P Vortex86DX	ISA Half-Size	AR-B8170	60
DM&P Vortex86DX	ISA Half-Size	AR-B8172	61

CPU/Chipset	Form Factor	Model No.	Page
Fanless Embedded System			
Intel HM76	Fanless Embedded System	AES-HM76Z1FL	64
Panel PC			
Intel Atom N2600	Industrial Panel PC	AR-PA707(P)FL-N2600	68
Intel Atom N2600	Industrial Panel PC	AR-PA708(P)FL-N2600	68
Intel Atom N2600	Industrial Panel PC	AR-PA710(P)FL-N2600	68
Intel Atom N2600	Industrial Panel PC	AR-PA712(P)FL-N2600	70
Intel Atom N2600	Industrial Panel PC	AR-PA715(P)FL-N2600	70
Intel Atom N2600	Industrial Panel PC	AR-PA717(P)FL-N2600	72
Intel Atom N2600	Industrial Panel PC	AR-PA721(P)FL-N2600	72
Intel Bay Trail Atom Celeron N2930	Industrial Panel PC	AR-PA807(P)FL-N2930	74
Intel Bay Trail Atom Celeron N2930	Industrial Panel PC	AR-PA808(P)FL-N2930	74
Intel Bay Trail Atom Celeron N2930	Industrial Panel PC	AR-PA810(P)FL-N2930	76
Intel Bay Trail Atom Celeron N2930	Industrial Panel PC	AR-PA812(P)FL-N2930	76
Intel Bay Trail Atom Celeron N2930	Industrial Panel PC	AR-PA815(P)FL-N2930	78
Intel Bay Trail Atom Celeron N2930	Industrial Panel PC	AR-PA817(P)FL-N2930	78
Intel Bay Trail Atom Celeron N2930	Industrial Panel PC	AR-PA821(P)FL-N2930	80
	Industrial Touch Display	AR-DP080-12T	82
	Industrial Touch Display	AR-DP100-12T	82
	Industrial Touch Display	AR-DP120-12T	82
	Industrial Touch Display	AR-DP150-AT	82
	Projected Industrial Touch Display	AR-DP150-PDT	84
	Projected Industrial Touch Display	AR-DP190-PDT	84

Embedded SBC Intel CPU Support List

Process	Series	Processor number	Clock	L2	Socket	CPU TDP	AMB-BT45B1 Intel Bay Trail	AMB-BT18T2 Intel Bay Trail	AMB-BT19S1 Intel Bay Trail	AMB-HM76B1FL Intel HM76	AMB-HM76B1 Intel HM76
22nm	Celeron	N3150	1.6GHz	2MB	FCBGA1170	6W					
22nm	CeleronHaswell i7	i7-4470TE	3.3GHz	8MB	FCBGA1150	45W					
	Haswell i5	i5-4590T	3.0GHz	6MB	FCBGA1150	35W					
	Haswell i5	i5-4570T	3.3GHz	4MB	FCBGA1150	35W					
	Haswell i3	i3-4350T	3.1GHz	4MB	FCBGA1150	35W					
	Haswell i3	i3-4330TE	2.4GHz	4MB	FCBGA1150	35W					
	Haswell i3	i3-4340TE	2.6GHz	4MB	FCBGA1150	35W					
	Ivy Bridge i7	i7-3517UE	1.7GHz	4MB	FCBGA1023	17W				●	●
	Ivy Bridge i7	i7-3615QE	2.3GHz	6MB	FCBGA1023	45W					
	Ivy Bridge i7	i7-3770	3.4GHz	8MB	FCBGA1155	77W					
	Ivy Bridge i5	i3-3550S	3 GHz	6MB	FCBGA1155	65W					
	Ivy Bridge i3	i3-3217UE	1.6GHz	3MB	FCBGA1023	17W				●	●
	Celeron	1047UE	1.4GHz	2MB	FCBGA1023	17W				●	●
	Celeron	J1900	2.42GHz	2MB	FCLGA1170	10W	●	●	●		
	Atom Quad-Core	N3845	1.91GHz	2MB	FCBGA1170	10W	●	●	●		
	Celeron	N2807	1.58GHz	1MB	FCBGA1170	4.3W					
	Atom Single-Core	D3815	1.46GHz	512KB	FCBGA1170	10W	●	●	●		
32nm	Sandy Bridge i3	i3-2120	3.3GHz	3MB	FCBGA1155	65W					
	Atom Dual-Core	N2800	1.86GHz	1MB	FCBGA559	6.5W					
	Atom Dual-Core	D2550	1.86GHz	1MB	FCBGA559	10W					
AMD	AMD G-series	T56N	1.6GHz	1MB	BGA413	18W					

Processor number	AMB-IH81T1 Intel H81	AMB-N280S1 Intel N2800 NM10	AMB-BS31T1 Intel N3150	AMB-A55ET1 AMD T56N	AMB-BT28S2 Intel N2807							
N3150			●									
i7-4470TE	●											
i5-4590T	●											
i5-4570T	●											
i3-4350T	●											
i3-4330TE	●											
i3-4340TE	●											
i7-3517UE												
i7-3615QE												
i7-3770												
i5-3550S												
i3-3217UE												
1047UE												
J1900												
E3845												
N2807					●							
E3815												
i3-2120												
N2800		●										
D2550		●										
T56N				●								

Product Matrix

In-Vehicle Computers



Form Factor	In-Vehicle Computer			
Model Name	AIV-APL1V1FL	AIV-QM97V1FL	AIV-HM76V1FL	AIV-HM76V0FL
Specification				
CPU	Intel® Atom™ x7-E3950 Intel® Atom™ x5-E3930	Intel Core i7 5650U / i5 5350U / i3 5010U	Intel Core i7 3517UM / i3 3217UE / Celeron 1047UE	Intel Core i7 3720QM / i5 3610ME / i5 3360M / i3 3120ME
Memory	1 x DDR3L SO-DIMM, support up to 8GB	2 x DDR3L SO-DIMM, up to 16GB	2 x DDR3L SO-DIMM, up to 16GB	2 x DDR3L SO-DIMM, Pre-install 2GB, up to 16GB
Video				
Video Interface	1 x VGA port (DB15) 1 x DVI connector	1 x HDMI type A connector 1 x DVI-D connector	2 x HDMI type A connector 1 x Combo connector	1 x HDMI type A connector 1 x Combo connector 1 x DVI-D connector
Storage				
SATA	2 x SATA II port	1 x SATA III port	1 x SATA III port	2 x SATA III port
SSD		1 x M.2 SSD		
CF		1 x External CF socket	1 x External CF socket	1 x External CF socket
Disk Bay	2 x Anti-shock 2.5" HDD Bay with easy swappable bracket	1 x Anti-shock 2.5" SDD Bay with Anit-vibration / Anit-shock	1 x Anti-shock 2.5" HDD Bay with easy swappable bracket	1 x Anti-shock 2.5" HDD Bay with easy swappable bracket
I/O				
Expansion Slot	3 x mini PCIe	1 x mini PCIe	2 x mini PCIe	2 x mini PCIe
Ethernet	2 x GbE LAN	2 x GbE LAN	2 x GbE LAN	2 x GbE LAN
Serial Port	3 x RS232 1 x RS232/422/4855	2 x RS232 1 x RS422/485	3 x RS232 1 x RS232/422/485	1 x RS232 1 x RS232/422/485
USB	4 x USB 3.0	2 x USB 3.0 2 x USB 2.0	3 x USB 3.0 1 x USB 2.0 (Combo)	4 x USB 3.0 1 x USB 2.0 (Combo)
GPIO	4 In, 4 Out	4 In, 4 Out	4 In, 4 Out	4 In, 4 Out
Audio	1 x MIC in, 1 x Audio out	1 x MIC in, 1 x Audio out	1 x MIC in, 1 x Audio out	1 x MIC in, 1 x Audio out
Remote Control	1 x Remote control switch	1 x Remote control switch	1 x Remote control switch	1 x Remote control switch
SIM	2 x External SIM Slot	1 x External SIM Slot	1 x External SIM Slot	1 x External SIM Slot
Can Bus (2.0A/2.0B)	YES	YES	YES	YES
iButton		1-Wire interface	1-Wire interface	1-Wire interface
Power Requirement				
Wide Range Input	DC 9V ~ 32V	DC 9V ~ 32V	DC 9V ~ 32V	DC 9V ~ 32V
Power Output		DC 12V (Combo)	DC 12V (Combo)	DC 12V (Combo)
Software				
OS Support	Windows 10 Enterprise Linux Kernel 4.4	Windows 7 / Windows 8.1 Fedora 21 / Ubuntu 15.04	Windows 7 / Windows Embedded Fedora 14 / Ubuntu 10	Windows 7 / Windows XP / Fedora 14 / Ubuntu 10
Mechanical & Environment				
Dimension	260 x 195 x 80 mm	290 x 190 x 45 mm	290 x 190 x 35 mm	310 x 195 x 80 mm
Weight	4 Kg	4 Kg	3 Kg	6 Kg
Operating Temp	0 ~ 60°C (32 ~ 140°F)	0 ~ 60°C (32 ~ 140°F)	0 ~ 60°C (32 ~ 140°F)	0 ~ 60°C (32 ~ 140°F)
Vibration/Shock/Safety	Comply IEC 60068-2-64 / Comply IEC 60068-2-27 / CE, FCC Class B, E-Mark 13			
Optional Wireless Module				
3,5G	GPRS/EDGE/WCDMA/HSUPA/HSDPA			
GPS / WiFi / Bluetooth	YES, IEEE 802.11 b/g/n, YES			
Reference				
Page	8	10	12	14

Product Matrix



AR-V6002FL

Intel Atom D525 / D425

1 x DDR3 SO-DIMM,
Pre-install 1GB, up to 4GB

1 x VGA port

2 x SATA II port

1 x External CF socket

1 x Anti-shock 2.5" HDD Bay
with easy swappable bracket

2 x mini PCIe

1 x GbE LAN

2 x RS232

2 x RS232/422/485

4 x USB 2.0

4 In, 4 Out

1 x MIC in, 1 x Audio out

1 x Remote control switch

1 x External SIM Slot

YES

-

DC 12V / 24V

-

Windows XP / XPE /
Linux Fedora 12

280 x 181.5 x 76.8 mm

2.7 Kg

0 ~ 50°C (32 ~ 122°F)

16

In-Vehicle Monitors



Form Factor	In-Vehicle Monitors	
Model Name	AR-DP071VW	AR-DP080V
Panel Size	7" Wide Screen (16:9)	8" Screen (4:3)
Resolution	640 x 480~1920 x 1080 pixels	640 x 480~1600 x 1024 pixels
Luminance	400 nits (cd/m2)	600 nits (cd/m2)
View Angle(T/B/L/R)	50/70/70/70 deg.	40/60/60/60 deg.
Backlight Lifetime	20,000 hours	20,000 hours
Operating Temp	-30~85°C	-10~60°C
Power Consumption	12W	10W
I/O Combo cable (One-to-VGA / USB / Audio / DC interface)		
Video	VGA (DB15)	VGA (DB15)
Touch Screen	4-Wire Resistive USB interface	4-Wire Resistive USB interface
Audio	3.5mm stereo Jack	3.5mm stereo Jack
DC	DC Jack (12V ~ 24V)	DC Jack (12V)
Reference		
Page	18	19

In-Vehicle Monitors



Form Factor	In-Vehicle Monitors	
Model Name	AR-DP080VW	AR-DP100V / VD
Panel Size	8" Wide Screen (16:9)	10.4" Screen (4:3)
Resolution	640 x 480~1600 x 1024 pixels	640 x 480 pixels~1024 x 768 pixels
Luminance	400 nits (cd/m2)	300 nits (cd/m2)
View Angle(T/B/L/R)	40/60/60/60 deg.	50/60/75/75 deg.
Backlight Lifetime	20,000 hours	LED
Operating Temp	-30~85°C	-10~ 60°C
Power Consumption	10W	12W
I/O Combo cable (One-to-VGA / USB / Audio / DC interface)		
Video	VGA (DB15)	VGA (DB15) + DVI (Optional)
Touch Screen	4-Wire Resistive USB interface	4-Wire Resistive USB interface
Audio	3.5mm stereo Jack	3.5mm stereo Jack
DC	DC Jack (12V)	DC Jack (12V ~ 24V)
Reference		
Page	20	21

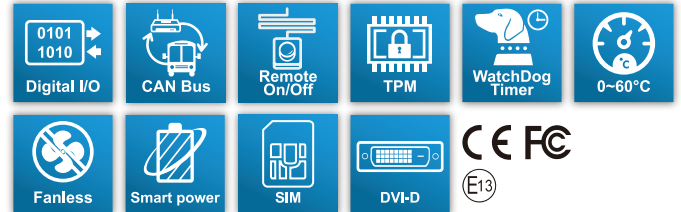
AIV-APL1V1FL Coming soon...

New Intel Atom X7-E3950 / X5-E3930 Fan Less In-Vehicle Computer



Features

- Rugged fan-less design
- Support New Intel Atom X7-E3950 / X5-E3930 processors
- 1 x DDR3L 1866 MHz SO-DIMM, up to 8GB
- Support CAN 2.0A/2.0B & J1939 protocol(Optional)
- VGA & DVI video output
- Support 4 Channel analog Capture card
- 2 x swappable 2.5" HDD bay
- TPM 1.2 / 2.0
- Variety Wireless Communication



Specification

System

CPU	Intel® Atom™ x7-E3950 Intel® Atom™ x5-E3930
Chipset	Intel Apollo lake SoC
Memory	1 x DDR3L 1866 MHz ,SO-DIMM, support up to 8GB

Video

Graphic Controller	Intel HD Graphics 505
Video Interface	1 x VGA port (DB15) ,1 x DVI

Storage

SATA	2 x SATA III port
Disk Bay	2 x swappable 2.5" Disk bay with Anti-vibration/ Anti-shock solution for SSD only

I/O

Expansion Slot	3 x Mini PCI-e(Reserve for Wi-Fi and 4G LTE)
Ethernet	2 x GbE RJ45, Intel i210AT
Serial Port	1 x RS-232/422/485 3 x RS-232
USB	4 X USB 3.0
GPIO	8-bit GPIO (4 In, 4 Out)
Audio	1 x MIC in 1 x Audio out
Antenna Hole	1 x SMA for GPS 1 x SMA for 4G 2 x SMA for Wi-Fi & Bluetooth
SIM	SIM Slot x 2, SIM card changeable without opening case, latch to protect SIM uncertainly touch
CAN BUS	DB9 connector, support CAN 2.0A/2.0B protocol (J1939 for optional)
TPM	On-board TPM 1.2 / 2.0(Optional)

Others Feature

WatchDog Timer 1~255 sec. software programmable

Software

OS Support Windows 10 (64 bit)& Linux kernel to 4.4 or above(64 bit)

Power Requirement

Power Input 9~32 V

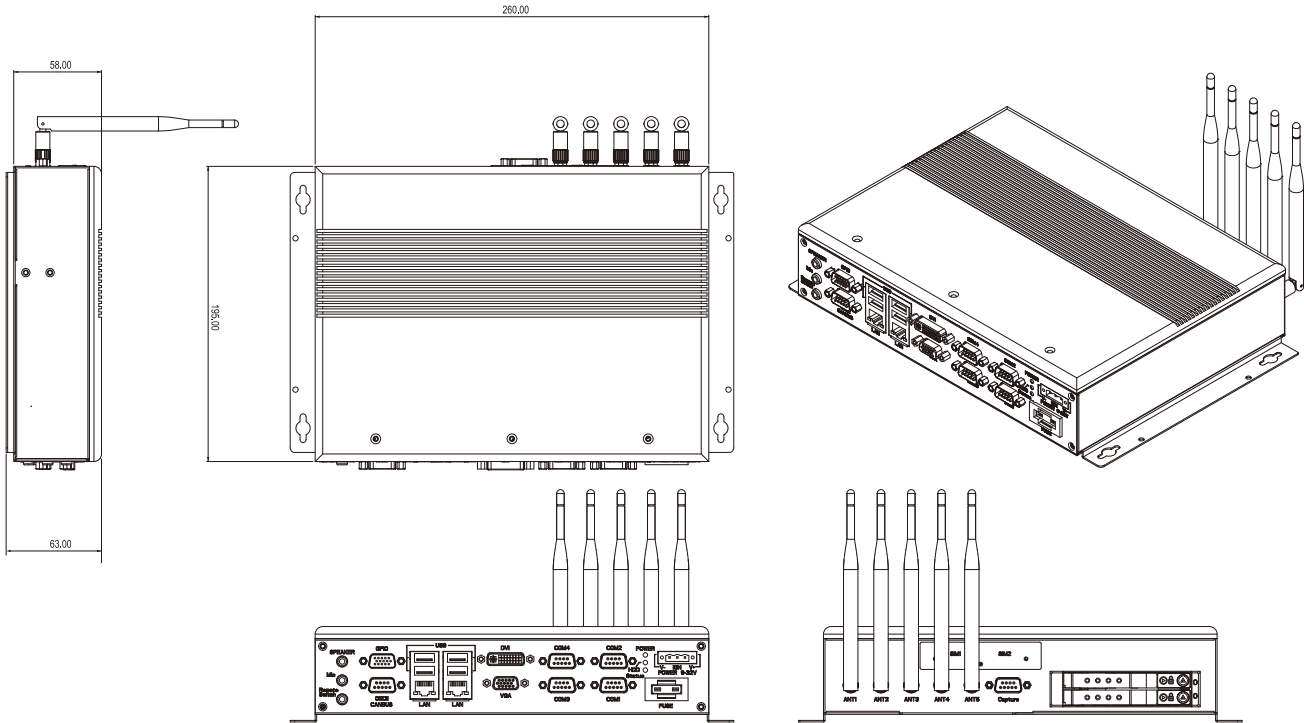
Mechanical & Environment

Dimension	260mm x 195mm x 62mm
Operating Temp.	0~60°C
Vibration	IEC 60068-2-64, 5~500Hz, 3GRMS(SSD)
Shock	IEC 60068-2-27, 50G 500m/s ² 11MS
Storage Temp	-40~80°C (-40~176°F)
Safety	CE, FCC class B, E-Mark

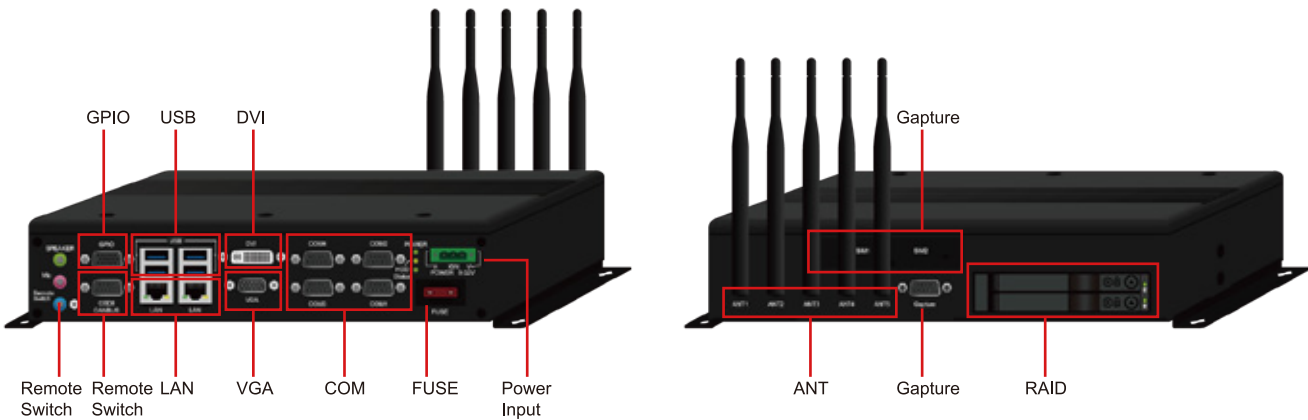
Smart In-Vehicle Power Management

O/S Anti-Crash	Smart O/S boot/shut-down control by power subsystem
System boot / Shut-down delay	Delay time from 0 seconds to 60 minutes setting in BIOS
System boot fail retry	3 times boot fail retry
Power on/off switches	<ul style="list-style-type: none"> • System power switch by remote cable switch • System power input serial connection to car battery and ignition switch
Car battery protection	Low battery voltage monitoring and configurable auto shutdown low battery voltage level

Dimension



I/O Connectors



Packing List

- 1 x AIV-VAPL1V1FL
- 1 x User Guide CD with driver
- 1 x GPIO/CAN Cable
- 1 x Terminal block (Plug-DC connector)
- 1 x Remote Switch Cable
- 1 x Antenna for GPS (option)
- 2 x Antenna for Wi-Fi & Bluetooth (option)
- 1 x Antenna for 4G LTE (option)
- 1 x Spare Fuse

Ordering Information

AIV-APL1V1FL-PT1 AIV-APL1V1FL- Intel Atom ® E3950
 AIV-APL1V1FL-CE1 AIV-APL1V1FL- intel Atom ® E3930

Optional Modules

EC20/EC25	Quectel 4G + GPS + Glonass module
MC7304/MC7354	Sierra 4G + GPS + Glonass module
RTL8812AEACC-01	Realtek (2T2R) Wi-Fi+BT a/b/g/n/ac
251NBT	Sparklan (2T2R) Wi-Fi+BT a/b/g/n
SC330N4	Yuan Analog Capture card 4ch With Testing Cable

AIV-QM97V1FL

All new Fanless In-Vehicle system, Intel Core i3/i5/i7 Broadwell U with smart power system, GPS/ 4G LTE/ WiFi/ Bluetooth/ M.2 SSD option module



Features

- Rugged fanless design
- Support Intel 5th generation Core i Broadwell U processors
- 2 x DDR3L-1600MHz, SO-DIMM, up to 16GB
- Support CAN 2.0A/2.0B protocol and i-Button for driver ID
- HDMI & DVI-D output
- Wide variety of wireless communication options
- M.2 SSD & M.2 4G LTE support



Specification

System

CPU	Intel Core i3 5010U / i5 5350U / i7 5650U
Chipset	-
Memory	2 x DDR3L-1600MHz, SO-DIMM, up to 16GB (non-ECC)

Video

Graphic Controller	Intel® HD Graphics 6000
Video Memory	DVMT
Video Interface	1 x HDMI type A connector 1 x DVI-D connector

Storage

SATA	1 x SATA III port with power connector
SSD	1 x M.2 SSD
Disk Bay	1 x swappable 2.5" SSD bay with Anti-vibration / Anti-shock solution

Communication

Ethernet	2 x Intel GbE chip via RJ-45 connector (Intel i210IT)
USB	2 x USB 3.0, 2 x USB 2.0
Serial Port	2 x RS232 (2 x DB9) 1 x RS422/RS485 (Select by GPIO)

I/O

Expansion Slot	mini PCIe Socket supported for WiFi+BT.
GPIO	8-bit GPIO (4 In, 4 Out)
Antenna Hole	1 x SMA for GPS, 1 x SMA for 4G LTE, 2 x SMA for WiFi, 1 x SMA for Bluetooth
SIM	SIM Slot x 1, SIM card changeable without opening case
Security	Support i-Button for driver ID
CAN Bus	Support CAN 2.0A/2.0B protocol

Software

OS Support	Windows 7, Windows 8.1, Fedora 21, Ubuntu 15.04
------------	---

Others Feature

Audio	Audio Codec (Line-out & MIC)
Hardware Monitor	CPU voltage and temperature
WatchDog Timer	0~255 sec. software programmable
Indicator	Power / HDD/ Status LED

Power Requirement

Power Input	9~32 V (+/-5%) single voltage input, 3 poles terminal block
-------------	--

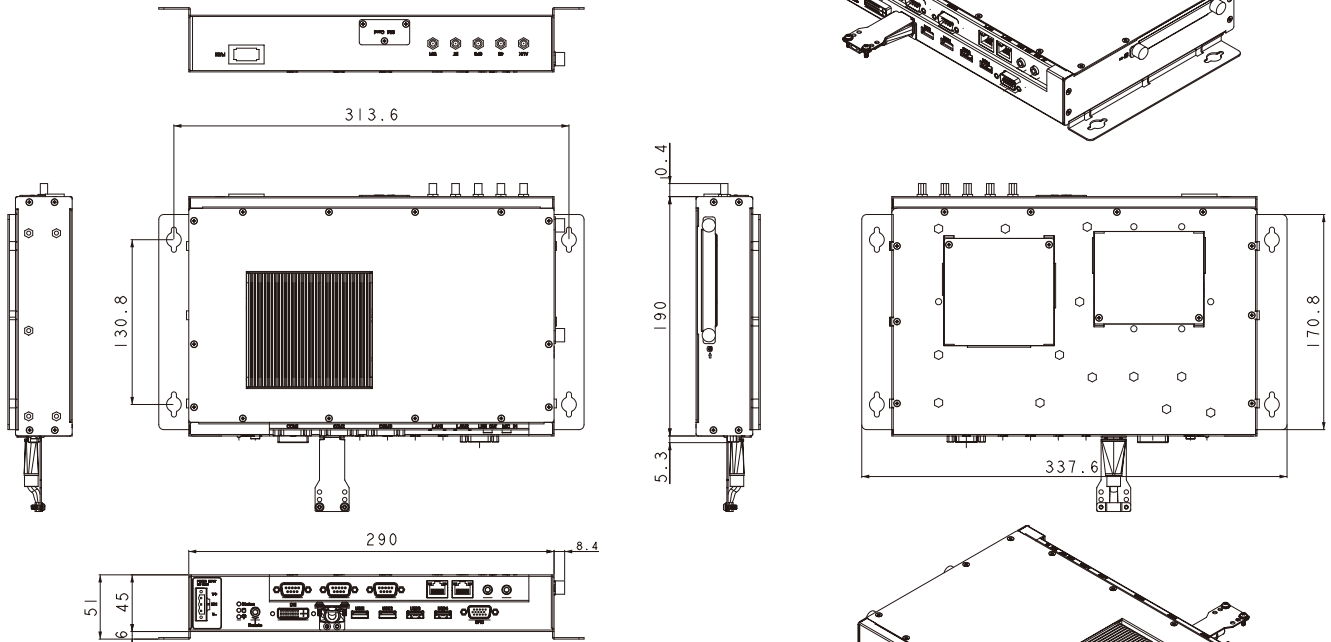
Mechanical & Environment

Thermal Design	Fanless
Chassis Material	Metal SPGC (Black printing color)+ Aluminum heatsink
Vibration	IEC 60068-2-64, 5~500Hz, 3GRMS(CF/SSD), Operating with SSD
Shock	IEC 60068-2-27, 50G 500m/s ² 11MS, Operating with SSD
Dimension	290mm x 190mm x 45mm
Weight	4 kg
Operating Temp.	0~60°C
Storage temp.	-40~80°C
Relative Humidity	0~90% @ 40°C, non-condensing
Safety	CE, FCC class B, E-Mark

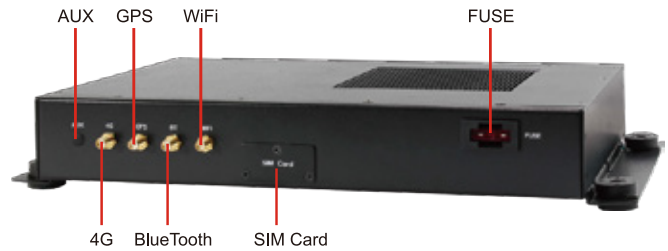
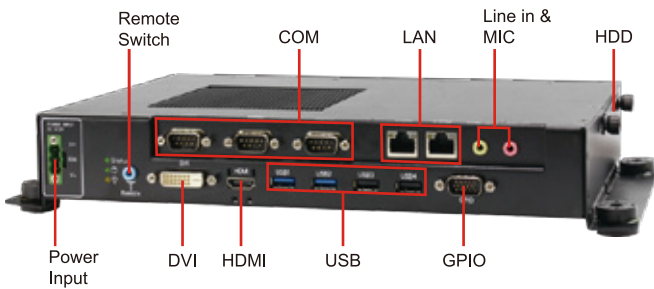
Smart In-Vehicle Power Management

O/S Anti-Crash	Smart O/S boot/shut-down control by power subsystem
System boot / Shut-down delay	Delay time from 0 seconds to 60 minutes setting in BIOS
Power on/off switches	<ul style="list-style-type: none"> • System power switch by remote cable switch • System power input serial connection to car battery and ignition switch
Car battery protection	Low battery voltage monitoring and configurable auto shutdown low battery voltage level

Dimension



I/O Connectors



Packing List

- 1 x AIV-QM97V1FL
- 1 x User Guide & System Driver CD
- 1 x Screw pack(2.5" HDD bracket: 4pcs)
- 1 x Terminal block female 3pin
- 1 x Spare Fuse 10A
- 1 x GPIO/CAN/Driver ID DB15 Cable
- 1 x Remote Switch Cable
- HDMI locking bracket

Ordering Information

AIV-QM97V1FLCi3 AIV-QM97V1FLCi3 with Intel Core i3 5010U

AIV-QM97V1FLCi5 AIV-QM97V1FLCi5 with Intel Core i5 5350U

AIV-QM97V1FLCi7 AIV-QM97V1FLCi7 with Intel Core i7 5650U

Optional Modules

Sierra 7355/7305 4G LTE & GPS module

Sparklan 251N(BT) 802.11 WiFi+BT module

Transcend TS128GMTS800 /M.2 TYPE 2280-D2-B-M / SATA SSD / 128GB

AIV-HM76V1FL

Fanless In-Vehicle system, Intel Core i7/i3, Celeron + HM76 with smart power system, GPS/4G/WiFi/Bluetooth, card option module



Features

- Rugged fanless design
- Integrated Intel 3rd generation Core i ULV processors with HM76 chipset
- 2 x DDR3L-1333/1600MHz, SO-DIMM, up to 16GB
- Support CAN 2.0A/2.0B protocol and i-Button for driver ID
- VGA/HDMI/ output
- Variety Wireless Communication
- Combo connector to simplify touch monitor installation



Specification

System

CPU	Intel Core i7 3517UE / i3 3217UE / Celeron 1047UE
Chipset	Intel HM76
Memory	2 x DDR3L-1333/1600MHz, SO-DIMM, up to 16GB

Video

Graphic Controller	Integrated in Processors
Video Memory	DVMT
Video Interface	2 x HDMI type A connector 1 x dedicated combo connector (VGA/USB/audio/power)

Storage

SATA	1 x SATA III port with power connector
CF	1 x Compact Flash Type I/II slot support UDMA 33
Disk Bay	1 x swappable 2.5" HDD bay with Anti-vibration / Anti-shock solution

Communication

Ethernet	2 x Intel GbE chip via RJ-45 connector
USB	3 x USB 3.0 connector
Serial Port	3 x RS232, 1 x 422/485 (Select By GPIO)

I/O

Expansion Slot	2 x mini PCIe (For Optional 4G / Wifi module only)
GPIO	8-bit GPIO (4 In, 4 Out)
Antenna Hole	1 x SMA for GPS, 1 x SMA for 3.5G, 2 x SMA for WIFI 1 x SMA for Bluetooth
SIM	SIM Slot x 1, SIM card changeable without opening case
Security	Support I-Button for driver ID
CAN Bus	Support CAN 2.0A/2.0B protocol

Software

OS Support	Windows 7(32/64 bit) / Embedded(32 bit) Fedora 17(32/64 bit)14 / Ubuntu 12.10(32/64 bit)
------------	---

Others Feature

Audio	Audio Codec (Line-out & MIC)
Hardware Monitor	CPU voltage and temperature RTC battery voltage (Voltage, 12V/5V/3.3V)
WatchDog Timer	0~255 sec. software programmable
Indicator	Power / HDD/ Stauts LED

Power Requirement

Power Input	9~32 V (+/-5%) single voltage input, 3 pole terminal block
Out Put Voltage	12V DC, 120W

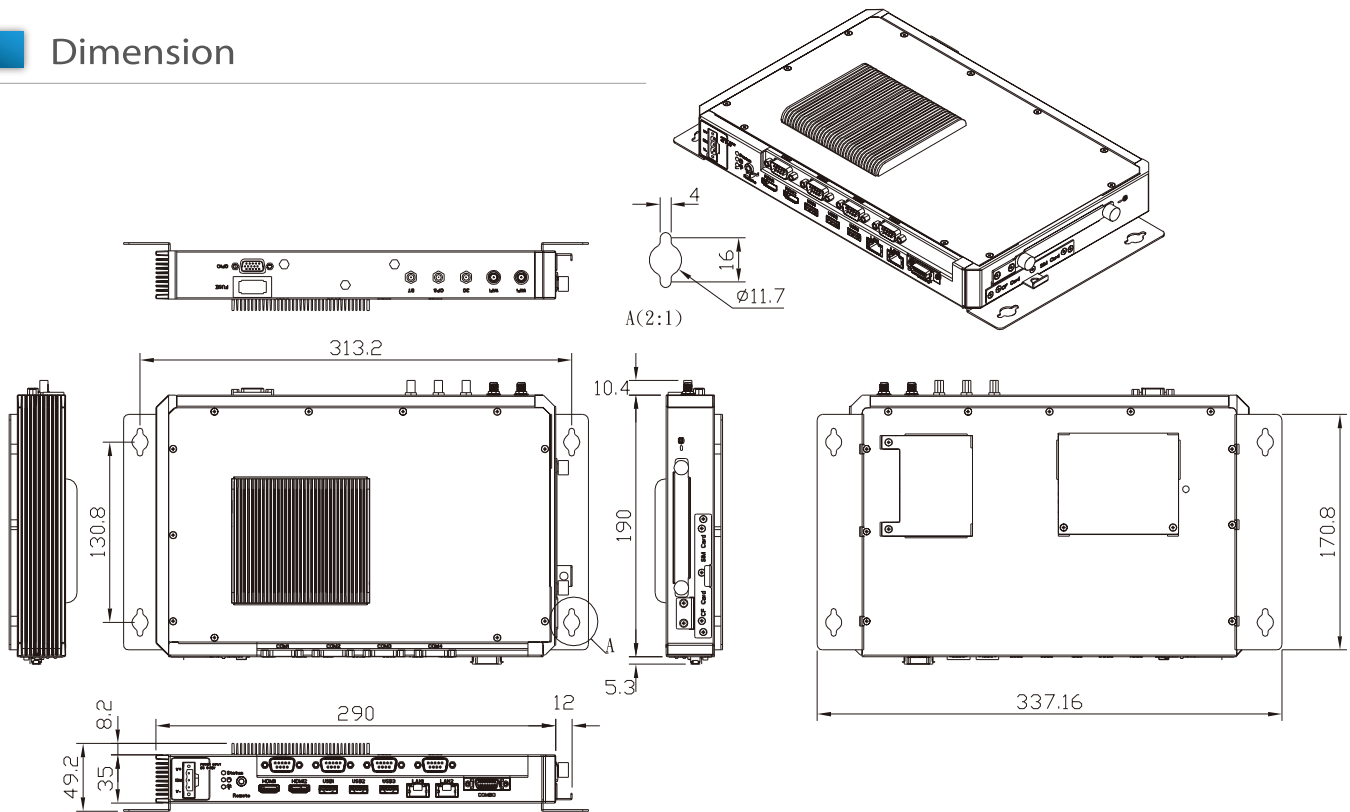
Mechanical & Environment

Thermal Design	Fanless
Chassis Material	Sheet metal(Silver, printing color with Acrosser logo)
Vibration	IEC 60068-2-64, 5~500Hz, 3GRMS(CF/SSD), Operating with SSD
Shock	IEC 60068-2-27, 50G 500m/s ² 11MS, Operating with SSD
Dimension	290mm x 190mm x 35mm
Weight	3 kg
Operating Temp.	0~60°C (32~140°F)
Storage temp.	-40~80°C (-40~176°F)
Relative Humidity	0~90% @ 40°C, non-condensing
Safety	CE, FCC class B , E-Mark

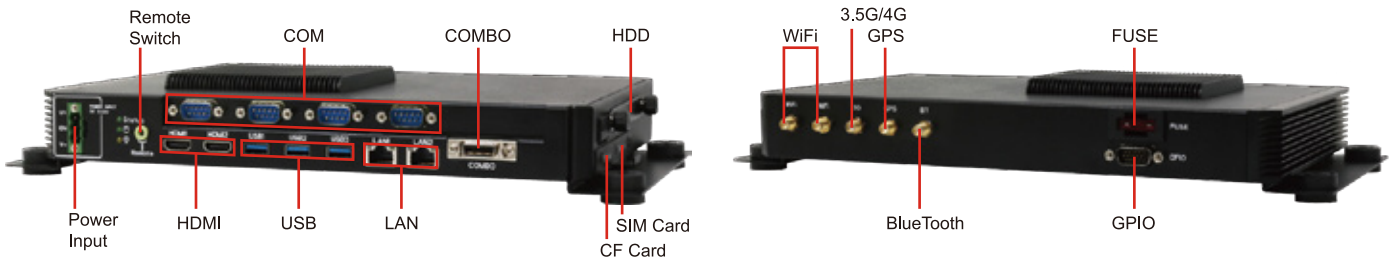
Smart In-Vehicle Power Management

O/S Anti-Crash	Smart O/S boot/shut-down control by power subsystem
System boot / Shut-down delay	Delay time from 0 seconds to 60 minutes setting in BIOS
System boot fail retry	3 times boot fail retry
Power on/off switches	<ul style="list-style-type: none"> • System power switch by remote cable switch • System power input serial connection to car battery and ignition switch
Car battery protection	Low battery voltage monitoring and configurable auto shutdown low battery voltage level

Dimension



I/O Connectors



Packing List

- 1 x AIV-HM76V1FL
- 1 x Quick Guide
- 1 x User Guide & System Driver CD
- 1 x Screw pack(2.5"HDD bracket: 4pcs)
- 1 x Terminal block female 3pin(for power input)
- 1 x Spare Fuse 10A
- 1 x GPIO/CAN/Driver ID DB15 Cable
- 1 x Remote Switch Cable
- 1 x One to Many Combo Cable(Combo to VGA/USB/Audio/DC Cable)

Ordering Information

AIV-HM76V1FLC17 AIV-HM76V1FL with Intel Core i7 3517UE

AIV-HM76V1FLC13 AIV-HM76V1FL with Intel Core i3 3217UE

AIV-HM76V1FLCE1 AIV-HM76V1FL with Intel Celeron 1047UE

Optional Modules

100070085	Sierra MC8705 with RF cable, Cable Antenna
100070067	WIESON ZYM-5020,RF Cable ,Cable Antenna (L=5M)
100070086	Intel Centrino N6205 802.11 a/b/g/n WiFi module, RF Cable, Antenna x 2
100070066	Qcom QBTM400-01,RF Cable, Antenna

AIV-HM76V0FL

Fanless In-Vehicle system, Intel Core i3/i5/i7 + HM76 with smart power system, GPS/3.5G/WiFi/Bluetooth option module



Features

- Rugged fanless design
- Support Intel 3rd generation Core i processors with HM76 chipset
- 2 x DDR3L-1333/1600MHz, SO-DIMM, up to 16GB
- Support CAN 2.0A/2.0B protocol and i-Button for driver ID
- VGA/HDMI/DVI-D output
- Variety Wireless Communication
- Combo connector to simplify touch monitor installation



Specification

System

CPU	Intel Core i7 3720QM / i5 3610ME / i5 3360M / i3 3120ME
Chipset	Intel HM76
Memory	2 x DDR3L-1333/1600MHz, SO-DIMM, up to 16GB 2GB pre-installed

Video

Graphic Controller	Integrated in Processors
Video Memory	DVMT
Video Interface	1 x HDMI type A connector 1 x DVI-D connector 1 x dedicated combo connector (VGA/USB/audio/power)

Storage

SATA	2 x SATA III port with power connector
CF	1 x Compact Flash Type I/II slot support UDMA 33
Disk Bay	1 x swappable 2.5" HDD bay with Anti-vibration / Anti-shock solution

Communication

Ethernet	2 x Intel GbE chip via RJ-45 connector
USB	4 x USB 3.0 connector
Serial Port	2 x RS232 (1 x DB9, 1 x pin header) for Option 1 x RS232/422/485 (DB9, switch selectable)

I/O

Expansion Slot	2 x mini PCIe (For Optional 3.5G / Wifi module only)
GPIO	8-bit GPIO (4 In, 4 Out)
Antenna Hole	1 x SMA for GPS, 1 x SMA for 3.5G, 2 x SMA for WiFi 1 x SMA for Bluetooth
SIM	SIM Slot x 1, SIM card changeable without opening case
Security	Support i-Button for driver ID
CAN Bus	Support CAN 2.0A/2.0B protocol

Software

OS Support	Windows XP, Windows 7, Fedora 14, Ubuntu 10
------------	---

Others Feature

Audio	Audio Codec (Line-out & MIC)
Hardware Monitor	CPU voltage and temperature
WatchDog Timer	1~255 sec. software programmable
Indicator	Power / HDD/ Status LED

Power Requirement

Power Input	9~32 V (+/-5%) single voltage input, 3 pole terminal block
Power Consumption	Max 80W (i7 CPU)

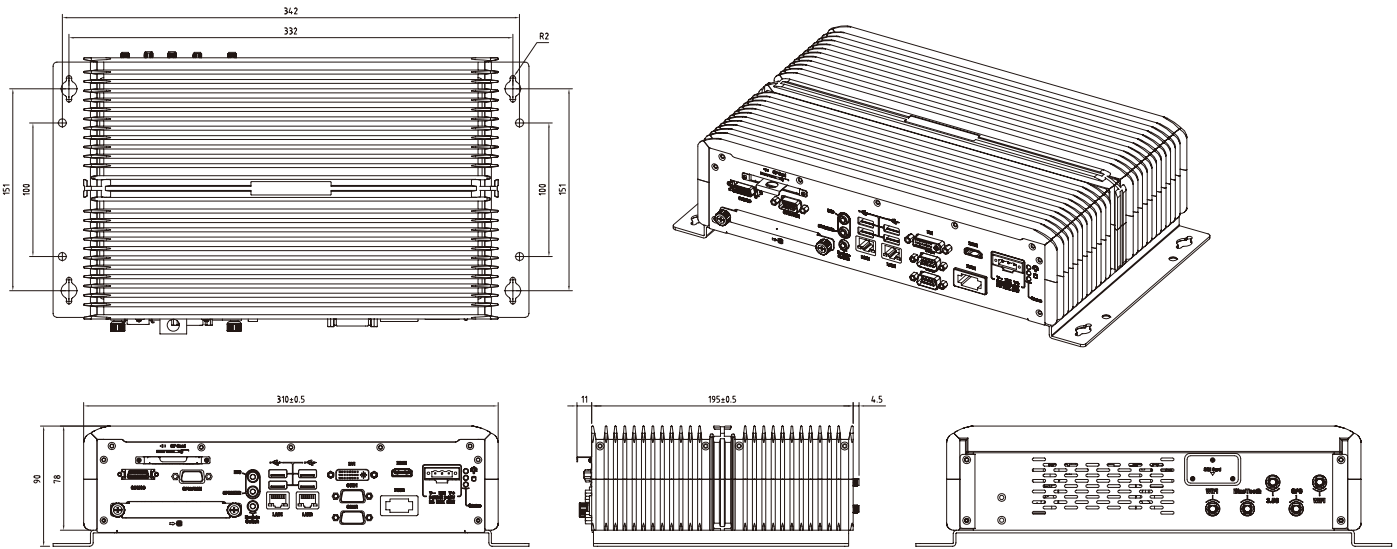
Mechanical & Environment

Thermal Design	Fanless
Chassis Material	SECC + Aluminum heatsink
Vibration	IEC 60068-2-64, 5~500Hz, 3GRMS(CF/SSD), Operating with SSD
Shock	IEC 60068-2-27, 50G 500m/s ² 11MS, Operating with SSD
Dimension	310mm x 195mm x 80mm
Weight	6 kg
Operating Temp.	0~60°C (32~140°F)
Storage temp.	-40~80°C (-40~176°F)
Relative Humidity	0~90% @ 40°C, non-condensing
Safety	CE, FCC class B, E-Mark

Smart In-Vehicle Power Management

O/S Anti-Crash	Smart O/S boot/shut-down control by power subsystem
System boot / Shut-down delay	Delay time from 0 seconds to 60 minutes setting in BIOS
System boot fail retry	3 times boot fail retry
Power on/off switches	<ul style="list-style-type: none"> • System power switch by remote cable switch • System power input serial connection to car battery and ignition switch
Car battery protection	Low battery voltage monitoring and configurable auto shutdown low battery voltage level

Dimension



I/O Connectors



Packing List

- 1 x AIV-HM76V0FL
- 1 x User Guide & System Driver CD
- 2 x Wall Mount Bracket
- 1 x Screw pack(2.5"HDD bracket: 4pcs)
- 1 x Terminal block female 3pin
- 1 x Spare Fuse 10A
- 1 x GPIO/CAN/Driver ID DB15 Cable
- 1 x Remote Switch Cable
- 1 x One to Many Combo Cable

Ordering Information

AIV-HM76V0FLI71	AIV-HM76V0FL with Intel Core i7 3720QM
AIV-HM76V0FLI52	AIV-HM76V0FL with Intel Core i5 3610ME
AIV-HM76V0FLI51	AIV-HM76V0FL with Intel Core i5 3360M
AIV-HM76V0FLI31	AIV-HM76V0FL with Intel Core i3 3120ME

Optional Modules

100070085	Sierra MC8705 with RF cable, Cable Antenna
100070067	WIESON ZYM-5020,RF Cable ,Cable Antenna (L=5M)
100070086	Intel Centrino N6205 802.11 a/b/g/n WiFi module, RF Cable, Antenna x 2
100070066	Qcom QBTM400-01,RF Cable, Antenna

AR-V6002FL

Fanless and Dustproof Intel Atom D425/D525
In-Vehicle Computer



Features

- Rugged fanless design
- Support Intel Atom D425/D525 processors with ICH8M chipset
- 1 x DDR3-800MHz, SO-DIMM, up to 4GB
- Support CAN 2.0A/2.0B protocol
- VGA output
- Variety Wireless Communication



Specification

System

CPU	Intel Atom D425/D525
Chipset	Intel ICH8M
Memory	1 x DDR3-800MHz, SO-DIMM, up to 4GB 1GB pre-install

Video

Graphic Controller	Integrated within Atom D425/D525
Video Memory	N/A
Video Interface	1 x VGA port (DB15)

Storage

IDE	N/A
SATA	2 x SATA II port
CF	1 x External Compact Flash Type I/II socket
Disk Bay	1 x 2.5" Disk bay with Anti-vibration / Anti-shock solution for SSD only

Communication

Ethernet	1 x GbE RJ45, Realtek 8111D
USB	4 X USB 2.0
Serial Port	2 x RS-232/422/485, 2 x RS-232

I/O

Expansion Slot	2 x mini PCIe(Reserve for WiFi and 3.5G)
GPIO	8-bit GPIO (4 In, 4 Out)
Antenna Hole	1 x SMA for GPS, 1 x SMA for 3.5G, 2 x SMA for WiFi, 1 x SMA for Bluetooth
SIM	SIM Slot x 1, SIM card changeable without opening case, latch to protect SIM uncertainly touch
Audio	1 x MIC in , 1 x Audio out
CAN Bus	2 pin JST connector , support CAN 2.0A/2.0B protocol

Software

OS Support	Windows XP, XP embedded, Windows 7, Linux fedora
------------	--

Others Feature

WatchDog Timer	1~255 sec. software programmable
----------------	----------------------------------

Power Requirement

Power Input	12V/24V(Jumper selection)
Power Consumption	Max Load 47W

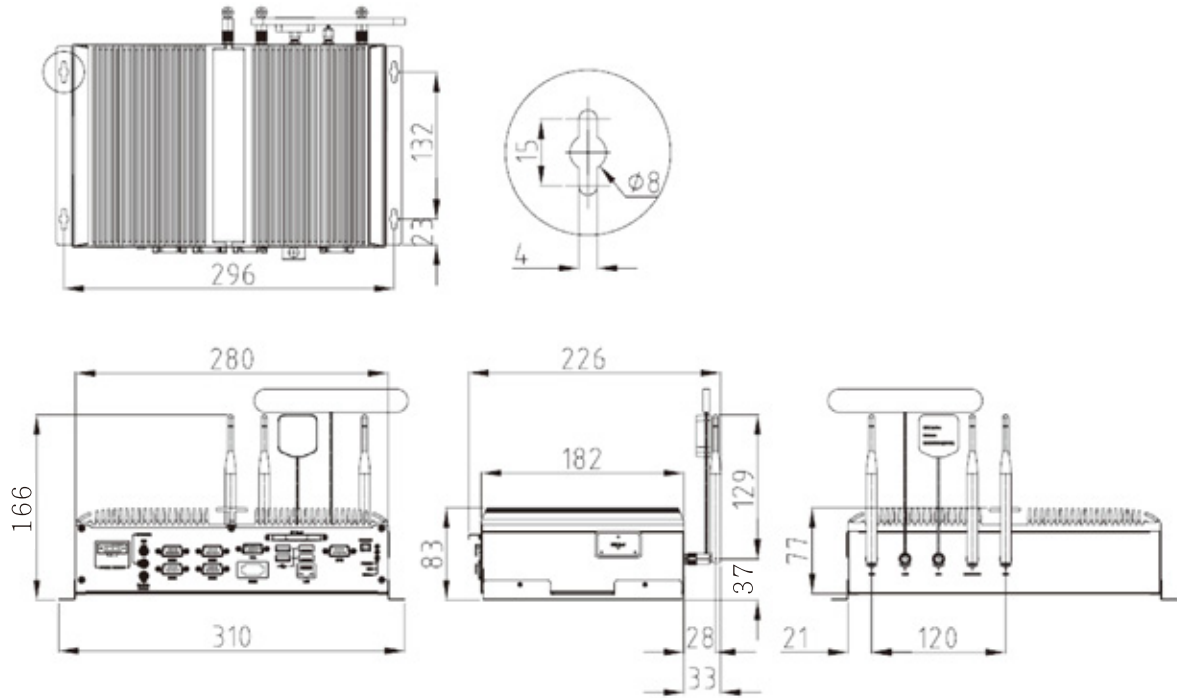
Mechanical & Environment

Thermal Design	Fanless
Vibration	IEC 60068-2-64 5~500Hz, 2GRMS for CF, 3GRMS for SSD
Shock	IEC 60068-2-27 50G 11ms
Dimension	280mm x 181.5mm x 76.8mm
Weight	2.7 kg
Operating Temp.	0~50°C (32~122°F)
Storage temp.	-40~80°C (-40~176°F)
Safety	CE, FCC class B, E-Mark

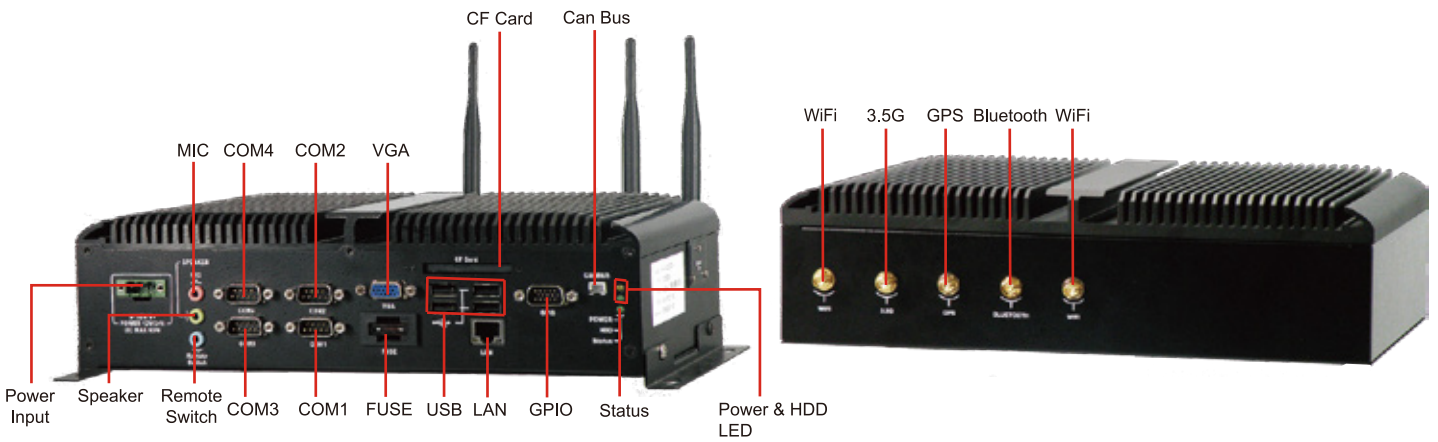
Smart In-Vehicle Power Management

O/S Anti-Crash	Smart O/S boot/shut-down control by power subsystem
System boot / Shut-down delay	Delay time from 0 seconds to 60 minutes setting in BIOS
System boot fail retry	3 times boot fail retry
Power on/off switches	<ul style="list-style-type: none"> • System power switch by remote cable switch • System power input serial connection to car battery and ignition switch
Car battery protection	Low battery voltage monitoring and configurable auto shutdown low battery voltage level

Dimension



I/O Connectors



Packing List

- 1 x AR-V6002FL
- 1 x User Guide CD with driver
- 2 x Wall Mount Bracket
- 1 x Screw pack (2.5" HDD bracket : 4pcs)
- 1 x Terminal block (Plug-DC connector)
- 1 x Remote Switch Cable
- 1 x Antenna for GPS (option)
- 2 x Antenna for WiFi (option)
- 1 x Antenna for 3.5G (option)
- 1 x Antenna for Bluetooth (option)
- 1 x Fuse 7.5A

Ordering Information

AR-V6002FLD4	AR-V6002FL with Intel Atom D425 1.8GHz, 1GB DDR3
AR-V6002FLD5	AR-V6002FL with Intel Atom D525 1.8GHz, 1GB DDR3

Optional Modules

100070083	Sierra MC8705 with RF cable, Cable Antenna
100070055	WIESON ZYM-5020, Cable Antenna (L=5M)
100070056	Qcom QBTM400-01, Antenna
100070003	Intel Centrino N6205 802.11 a/b/g/n WiFi module, RF Cable, Antenna x 2

AR-DP071VW

7-Inch (16:9) Monitor with VGA, USB Touch Screen



Features

- 7-Inch (16:9) Wide Screen
- LED Backlight with Low Power Consumption
- Resistive Touch Screen
- VESA75 Mounting and Stand
- DC 12~24V Power Input



Specification

Panel

Panel Size	7-Inch Screen (16:9)
Resolution	Supports 640 x 480 ~ 1920 x 1080 pixels
Luminance (cd/m2)	400 nits
View Angle (H/V)	H:140 / V:120
Backlight Lifetime	20,000 hours
Touch Screen Type	4-wire Resistive

I/O

Video Interface	1 x VGA
USB	1 x USB for Touch Screen
Audio	1 x Audio Input Jack

Power Requirement

Power Input	DC 12~24V, with Adapter
-------------	-------------------------

Software

TouchKit Driver Support	Windows vista / 9X / Me / NT4.0 / 2000 / XP / E.NET / CE 2.12/3.0, Embedded/ Dos, Mac OS 9X / OS X(Intel CPU) Linux Readme / Mandrake / Red Hat / Fedora Core / SuSE / Debian / (K)Ubuntu / Yellow Dog
-------------------------	--

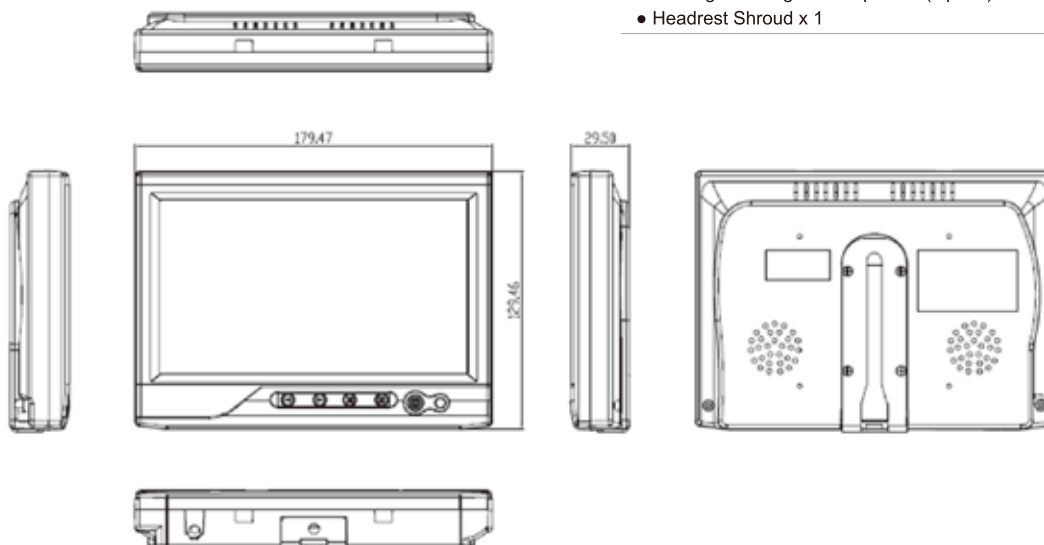
Mechanical & Environment

Chassis Material	Plastic
Dimension (W x H x D)	179.43mm x 129.43mm x 29.5mm
Mounting	VESA75 mount
Operating Temp.	-30~85°C (-22~185°F)
Storage temp.	-30~85°C (-22~185°F)
Safety	CE, FCC, E13, RoHS

Packing List

- User Manual x 1
- Metal Stand x 1
- All-in-One Cable x 1
- Remote Controller x 1
- Touch Driver CD x 1
- Touch Stylus Pen x 1
- AC/DC switching Power Supply x 1
- Car Cigarette Lighter Adapter x 1(Option)
- Headrest Shroud x 1

Dimension



AR-DP080V

8-Inch(4:3) Display Monitor with VGA, USB Touch Screen



Features

- 8-Inch(4:3) Wide Screen
- LED Backlight with Low Power Consumption
- Resistive Touch Screen
- VESA75 Mounting and Stand
- DC 12~24V Power Input



Specification

Panel

Panel Size	8-Inch Screen (4:3)
Resolution	Supports from 640 x 480~1600 x 1024 pixels
Luminance (cd/m2)	400 nits
View Angle (H/V)	H:110 / V:50
Backlight Lifetime	20,000 hours
Touch Screen Type	4-wire resistive

I/O

Video Interface	1 x VGA
USB	1 x USB for Touch Screen
Audio	1 x 3.5mm stereo Jack

Power Requirement

Power Input	DC 12V
Power Consumption	10W

Software

TouchKit Driver Support

Windows: Vista, 9X, Me, NT4.0, 2000, XP, CE.net, CE 2.12, CE 3.0, Embedded, Dos.
Mac: Mac OS 9X, OS X (Intel CPU).
Linux: Linux Redme, Mandrake, Red Hat, Fedora Core, SuSE, Debian, Ubuntu, Yellow Dog

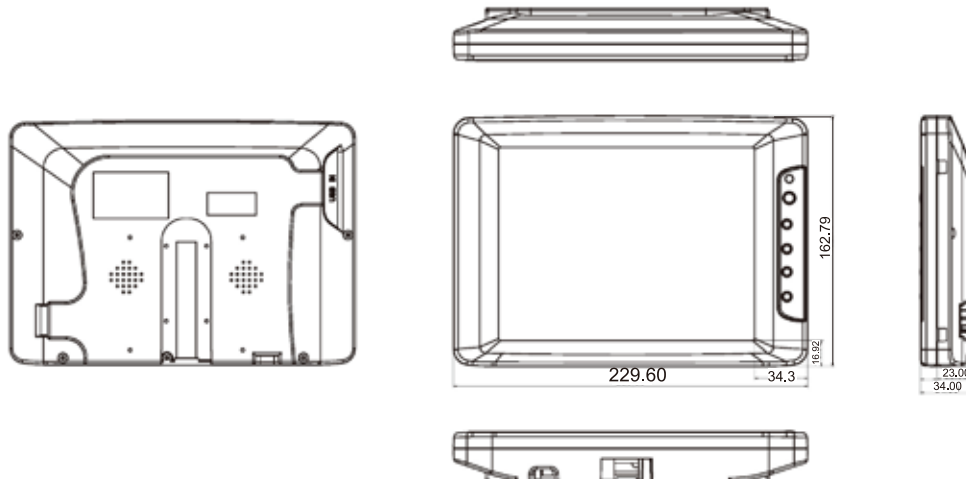
Mechanical & Environment

Chassis Material	Plastic
Dimension (W x H x D)	229.6mm x 162.8mm x 33.9mm
Mounting	VESA 75, Metal Stand
Operating Temp.	-10~60°C
Storage temp.	-30~70°C
Safety	CE, E-Mark, FCC

Packing List

- User Manual x 1
- Metal Stand x 1
- All-in-One Cable x 1 (VGA / USB / DC Jack / Audio)
- Remote Controller x 1
- Touch Driver CD x 1
- Touch Stylus x 1
- Car Cigarette Lighter Adapter x 1(Option)
- AC Switching Power Supply x 1

Dimension



AR-DP080VW

8-Inch(16:9) Display Monitor with VGA, USB Touch Screen



Features

- 8-Inch(16:9) Wide Screen
- CCFT Backlight
- Resistive Touch Screen
- VESA75 Mounting and Stand
- DC 12V Power Input



Specification

Panel

Panel Size	8-Inch Wide Screen (16:9)
Resolution	Supports from 640 x 480 ~ 1600 x 1024 pixels
Luminance (cd/m2)	500 nits
View Angle (H/V)	H:120 / V:100
Backlight Lifetime	20,000 hours
Touch Screen Type	4-wire Resistive

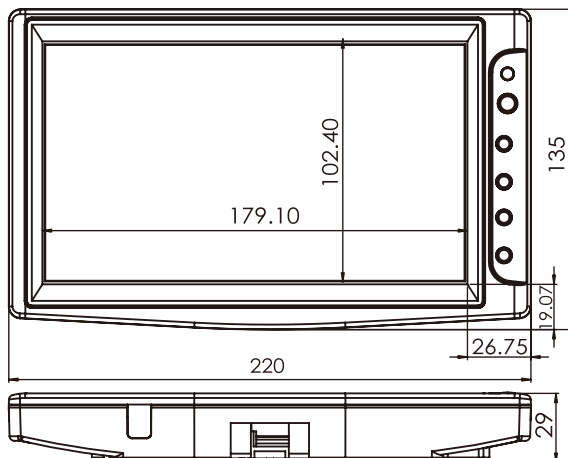
I/O

Video Interface	1 x VGA
USB	1 x USB for Touch Screen
Audio	1 x 3.5mm stereo Jack

Power Requirement

Power Input	DC 12V
Power Consumption	7.2W

Dimension



Software

TouchKit Driver Support

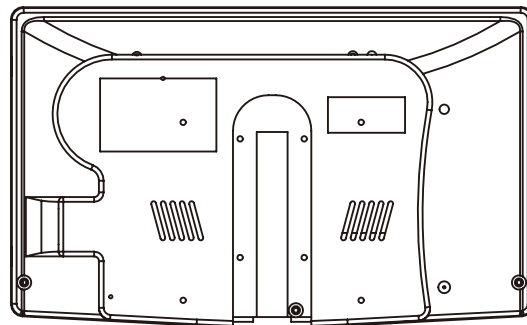
Windows: Vista, 9X, Me, NT4.0, 2000, XP, CE.net, CE 2.12, CE 3.0, Embedded, Dos.
Mac: Mac OS 9X, OS X (Intel CPU).
Linux: Linux Readme, Mandrake, Red Hat, Fedora Core, SuSE, Debian, Ubuntu, Yellow Dog

Mechanical & Environment

Chassis Material	Plastic
Dimension (W x H x D)	220mm x 135mm x 29 mm
Mounting	VESA 75, Metal Stand
Operating Temp.	0~70°C
Storage temp.	-20~70°C
Safety	CE, E-Mark, FCC

Packing List

- User Manual x 1
- Metal Stand x 1
- All-in-One Cable x 1 (VGA / USB / DC Jack / Audio)
- Remote Controller x 1
- Touch Driver CD x 1
- Touch Stylus x 1
- Car Cigarette Lighter Adapter x 1(Option)
- AC Switching Power Supply x 1



AR-DP100V/VD

10.4-Inch(4:3) Display Monitor with VGA, Touch Screen



Features

- 10.4-Inch TFT LCD
- LED Backlight with Low Power Consumption
- Resistive Touch Screen
- VESA75 Mounting and Stand
- DC12-24V Power Input



CE FCC

Specification

Panel

Panel Size	10.4-Inch Screen (4:3)
Resolution	800 x 600
Luminance (cd/m ²)	300 nits
Backlight Lifetime	50,000hrs
Touch Screen Type	4-wire Resistive

I/O

Video Interface	1 x VGA + 1 x DVI (optional)
USB	1 x USB for Touch Screen
Audio	2 x Audio Input Jack

Power Requirement

Power Input	DC 12~24V, with Adapter
-------------	-------------------------

Software

TouchKit Driver Support	Windows vista / 9X / Me / NT4.0 / 2000 / XP / CE.NET/CE 2.12/3.0, Embedded/ DosMac OS 9X / OS X(Intel CPU)Linux Readme / Mandrake / Red Hat / Fedora Core / SuSE / Debian / (K)Ubuntu / Yellow Dog
-------------------------	--

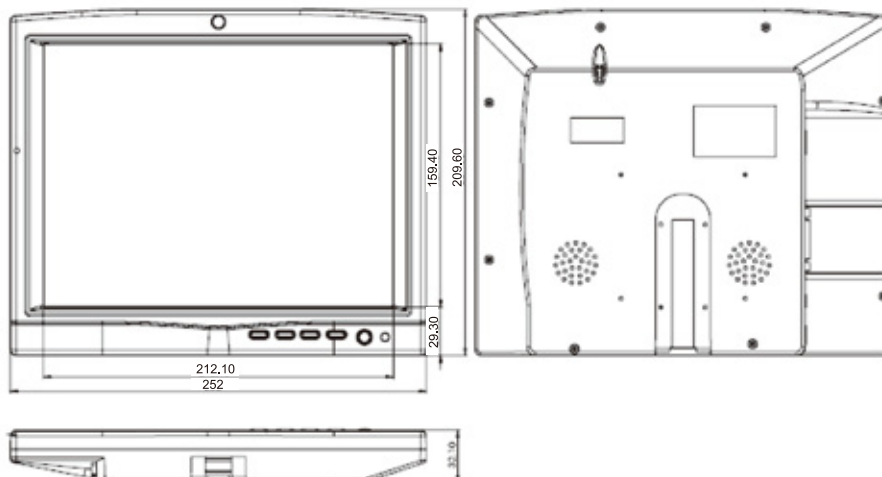
Mechanical & Environment

Chassis Material	Plastic
Dimension (W x H x D)	252mm x 209.6mm x 32.1mm
Mounting	VESA75 mount
Operating Temp.	-10~60°C
Storage temp.	-20~70°C
Safety	CE, FCC

Packing List

- User Manual x 1
- VESA Stand x 1
- All in One Cable x 1
- Remote Controller x 1
- Touch Driver CD x 1
- Touch Stylus Pen x 1
- AC/DC switching Power Supply x 1
- Car Cigarette Lighter Adapter x 1(Option)

Dimension



Product Matrix

Gaming Platform



Form Factor	Gaming Platform	
Model name	ACE-SHM76G1	AMB-A55EG1
Board	-	AMB-A55EG1
CPU	Intel Core i5 3230M	AMD Dual Core T56N 1.6GHz
Chipset	Intel HM76	AMD Fusion Control Hub A55E
System Memory	2 x DDR3L-1600MHz, SO-DIMM, up to 16GB	2 x DDR3L-1333MHz, SO-DIMM, up to 8GB
Graphic Controller	Integrated HD graphic 4000 Open GL 4.0, DirectX 11	Integrated Radeon HD 6320 Open GL 4.0, Direct X11
Display Interface	2 x VGA	1 x VGA & 1 x HDMI
Expansion Slot (PCI-E x16)	-	N/A
USB	6	4 x USB 2.0 port, 2 x USB 2.0 pin header
Ethernet	1 x GbE	1 x GbE
Audio	2.1 channel output without amplifier	5.1 channel audio without amplifier
I/O Connector	micro fit connector	Golden fingers
I/O Definition	Proprietary	Proprietary
Serial Port	4 x RS-232 DB9 connector 2 x RS-232 / 422 / 485 / SAS (8 bit IC) ccTalk DB9 connector	1 x RS232 with DB9 connector 1 x RS232/422/485 DB9 connector 1 x 4-pin ccTalk connector 1 x 10-pin ccTalk connector
Digital I/O	32 Input / 32 Output	Follow golden fingers definition
Readable DIP switch	N/A	N/A
GPIO (TTL level)	32 bits	N/A
Battery Backup SRAM	2 x 512KB	256KB (Max 1MB)
EEPROM	N/A	N/A
Jurisdiction Chip	N/A	N/A
Intrusion Logger	Yes	Yes
Secure Real Time Clock	Yes	N/A
Smart card reader	Optional	N/A
Reel Mechanism control	N/A	N/A
Hardware Random Number Generator (RNG)	YES	N/A
Page	24	26

ACE-SHM76G1

Intel Ivy Bridge All-in-One gaming system



Specification

General PC Feature

CPU	Mobile Intel Ivy Bridge Core i5 3230M (2.60GHz, 3M cache, Dual cores)
Chipset	Intel HM76
Memory	2 x DDR3L-1600MHz, SO-DIMM, up to 16GB
Battery	One 220mAh CR2032 for system RTC One extra rechargeable battery for door switch
Real Time Clock	1 x system RTC and 1x secured RTC
Fan Connector	2 x 12V fan connector

Video

Graphic Controller	Intel integrated HD graphic 4000 supports OpenGL 4.0 , DirectX 11
Video Memory	shared memory
Video Interface	2 x VGA (1 x DB15, 1 x pin header optional DVI-I)

Storage

SATA	2 x SATA 3.0 (SATA DOM)
------	-------------------------

Communication

Ethernet	1 x GbE RJ45, Realtek RTL8111DL
USB	6 x USB (2 xUSB 2.0, 4 x USB 3.0)
Serial Port	4 x RS-232 (4x DB9) 2 x RS232 / 422 / 485 / SAS (8 bit IC) communication. (2 x male DB9 connector)

Audio

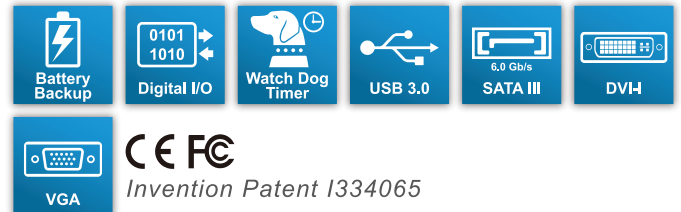
Output	2.1 channel output without amplifier Audio jack 3.5Φ (2 layers for stereo and sub-woofer)
--------	--

Other Feature

Hardware Monitoring	<ul style="list-style-type: none"> • CPU temperature • System temperature • CPU voltage
WatchDog Timer	Software programmable 1~255 sec.
Indicator	HDD and Power LED

Features

- Chipset Intel HM76 chipset (Ivy Bridge Core i5 3230M)
- Display - VGA + DVI-D dual display
- SATA DOM door and key switch for easy maintenance and security
- Digital Input x 32 pin header
- Digital Output x 32 pin header
- 6 x COM(4 x rs232,2 x RS232 / 422 / 485 / SAS (8 bit IC) communication.
- Door Switch for intrusion log use.



Gaming I/O

I/O Interface	micro fit connector
Digital Input	32 bits GPI by micro fit connector (digital logic,high above 3v,low is 0V)
Digital Output	32 bits GPO by micro fit connector (max.500ma drain current)
GPIO	32 bits
Door Switch	<ul style="list-style-type: none"> • 4 x Door Switches (2 x internal & 2 external) • One switch is designed for HDD open (SATA DOM) • One switch is designed for system open • 2 x external switches connected to micro fit • Door switch connect to GPI ports for intrusion log use.
Hardware Monitoring	<ul style="list-style-type: none"> • CPU temperature • System temperature • CPU voltage

Power Requirement

Power Input	+12V input from power connector (AT mode)
-------------	---

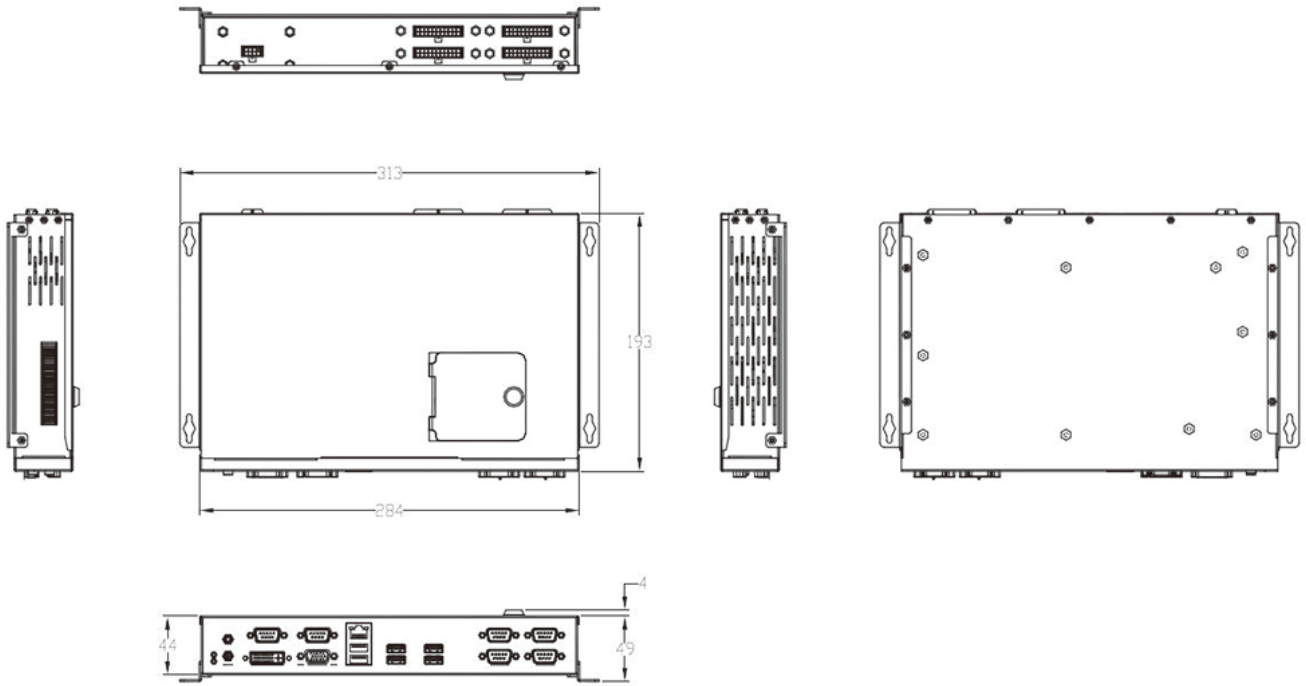
Software

OS Support	Support Windows 7(32 bit)/ Windows 7 Embedded(32 bit) <ul style="list-style-type: none"> • Windows 7 (32 bit) and Windows 7 Embedded 32 bit (WES7) for
Software Development Kit	<ul style="list-style-type: none"> • Chipset driver, LAN, audio & graphic • Digital I/O • Door switch • System Watchdog

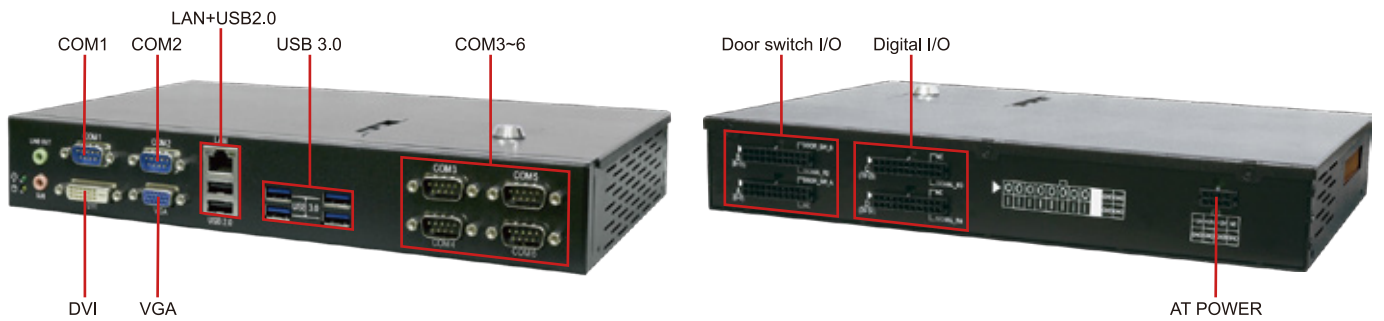
Mechanical & Environment

Dimension	193mm x 313mm x 49mm(D x W x H)
Operating Temp.	0 to 50 degree Celsius
Storage temp.	-20 to 85 degree Celsius
Relative Humidity	90% non-condensing
Safety	CE, FCC class A

Dimension



I/O Connectors

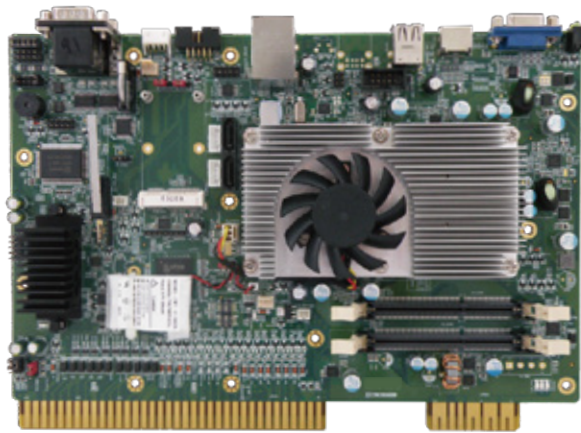


Packing List

- 1 x ACE-SHM76G1
- 1 x Driver CD
- 1 x Quick user manual
- 1 x Carton
- 4 x 22(2x11) pin micro fit cable for digital input
- 1 x 8(2x4) pin micro fit cable for power

AMB-A55EG1

AMD Embedded G-Series T56N all-in-one gaming board with 2 x COM, 6 x USB, 1 x LAN, 2 x ccTalk, golden fingers for 17 protected input & 16 output, battery backup SRAM, 2 x Intrusion Detection.



Features

GAMB-A55EG1 provides great computing and graphic performance which is suitable for casino gaming and amusement applications. It is designed to comply with the most of gaming regulations such as GLI & BMM.



Specification

Specification

CPU	AMD G-Series Dual Core T56N 1.65GHz processor
Chipset	AMD Fusion Control Hub A55E
Memory	2 x DDR3L-1333MHz, SO-DIMM, up to 8GB

Video

Graphic Controller	Integrated Radeon HD 6320 supports OpenGL 4.0, DirectX 11
Video Memory	shared memory
Video Interface	<ul style="list-style-type: none"> 1 x VGA DB15 connector 1 x HDMI connector

Storage

SATA	2 x SATA II port with SATA II power connector
mSATA	1 x mSATA connector

Communication

Ethernet	1 x GbE LAN Port
USB	4 x USB 2.0 connector & 2 x USB 2.0 pin header
Serial Port	<ul style="list-style-type: none"> 1 x RS232 with DB9 connectors 1 x RS232/422/485 DB9 connector 1 x 4-pin cc-Talk 1 x 10-pin cc-Talk

Audio

Output	5.1 channel audio without amplifier (pin header)
Amplifier	6W audio amplifier (golden finger)

Gaming I/O

Digital Input	Follow golden fingers definition <ul style="list-style-type: none"> 14 x Button 2 x Coin 1 x Hopper
Digital Output	Follow golden fingers definition <ul style="list-style-type: none"> 10 x Lamp 5 x Meter 1 x Hopper
Intrusion Detection	<ul style="list-style-type: none"> 1 x onboard door switch 1 x pin header
SRAM	battery backup 256KB SRAM (max 1MB)

Other Feature

Hardware Monitoring	CPU voltage and temperature
WatchDog Timer	Software programmable 1~255 sec.

Power Requirement

Power Input	<ul style="list-style-type: none"> 5V (4.35A~5.8A) 12V (3.3A~4.4A)
Power Consumption	43W

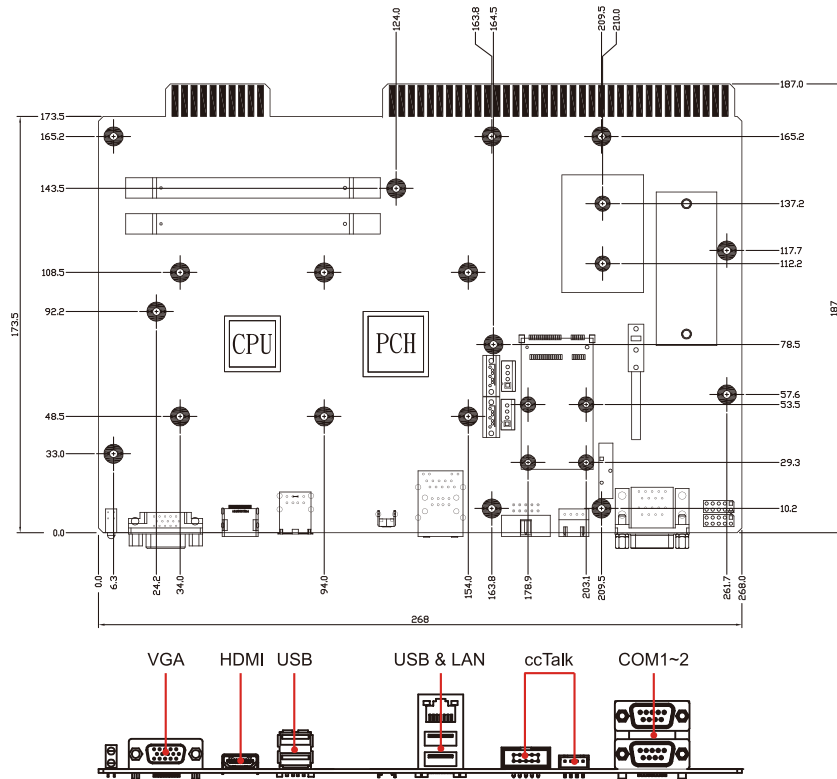
Software

OS Support	Windows XP, Fedora 14, Ubuntu 10
Software Development Kit	<ul style="list-style-type: none"> Device Driver Application Program Interface (API) Demo Program

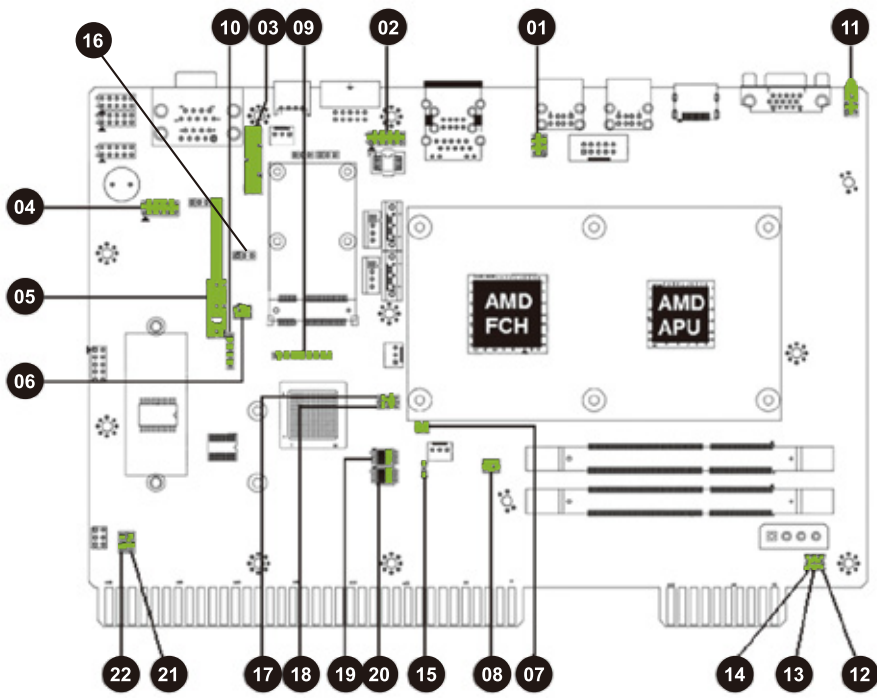
Mechanical & Environment

Thermal Design	FAN
Dimension	187 mm x 268 mm
Weight	1 KG
Operating Temp.	0~60°C (32~140°F)
Storage temp.	-40~80°C (-4~176°F)
Relative Humidity	0~90% @ 40°C, non-condensing
Safety	CE, FCC compliant

Dimension



I/O Connectors



- 01. Reset Button connector
- 02. SPI Interface connector
- 03. CR2032 Battery socket
- 04. LPC Interface connector
- 05. Case open Log switch
- 06. External Log input connector
- 07. 3.7V 500mAh Re-chargeable battery connector
- 08. iButton signal connector
- 09. FPGA firmware recoded Header
- 10. PIC firmware recoded Header
- 11. System status indicated
- 12. 5V Power IN LED
- 13. 24V Power IN LED
- 14. 12V Power IN LED
- 15. Battery charging LED
ON: Battery charging
- 16. Clear CMOS
- 17. SRAM1 data clear
- 18. SRAM1 data clear
- 19. METER OUT setting 1
- 20. METER OUT setting 2 & HOPPER SSR setting
- 21. (Reserved)
- 22. Edge connector GPO pins Clamping voltage setting

Packing List

- 1 x AMB-A55EG1
- 1 x System Driver CD
- 1 x Quick User Guide

Ordering Information

AMB-A55EG1

AMD Embedded G-Series T56N all-in-one gaming board with 2 x COM, 6 x USB, 1 x LAN, 2 x cctalk, golden fingers for 17 protected input & 16 output, battery backup SRAM, 2 x Intrusion Detection (Door Switch), iButton and Security.

Product Matrix

Networking Appliance



Form Factor		Rackmount	
Model Name		ANR-C236N1 series	ANR-IB75N2/A/B
System	CPU type	Intel® Xeon® E3-1275 / 1225 / 1268L v5 Intel® 6th Gen. Skylake-S Core i7 / i5 / i3 / Pentium	Intel 3rd Gen. Core i / Pentium LGA1155 Processors
	Chipset	Intel® PCH C236	Intel B75
Memory	Technology	4 x 288-pin UDIMM DDR4-2400, ECC/non-ECC	2 x DDR3L-1333/1600MHz, UDIMM
	Maximum support	64GB	16GB
Ethernet	SFP GbE	-	0/2/4
	RJ45 GbE	12/10/8	8/8/8
	Bypass	4/3/2	2/2/2
Expansion	PCIe	1	-
	Mini PCIe	-	-
	Networking Module	1 x Exp. NIM (1G/10G/40G, Fiber / Copper / Bypass)-	-
LCM	LCM	16 x 2 characters LCD module with 4 buttons	16 x 2 characters LCD module with 4 buttons
Storage	HDD	2 x 2.5" / SATA III (Hot-swappable)	2 x 2.5" / SATA III
	CFast / CF	1 x CFast	1
I/O	Console	1 x RJ45	1 x RJ45
	HDMI / VGA	1 x HDMI	Option by cable
	USB	2 x USB 3.0 (front-side), 2 x USB 2.0 (rear-side)	2 x USB 3.0 External
	Dimension	440mm x 500mm x 44mm	440mm x 371.5mm x 44mm
Thermal	PWM Smart Cooling Fan	Cooling Fan	
Reference page	30	32	

Networking Appliance



Form Factor		Rackmount	
Model Name		ANR-IH61N1/A/B	ANR-J190/J180N2-C612
System	CPU type	Intel 3rd Gen. Core i Duo / Quad / Pentium LGA1155 Processors	Intel Celeron Bay Trail J1900, Quad-core, clock speed 2.00GHz Intel Celeron Bay Trail J1800, Dual-core, clock speed 2.41GHz
	Chipset	Intel H61	6 x Intel GbE chip
Memory	Technology	DDR3L-1333/1600MHz, UDIMM	DDR3L-1600MHz, SO-DIMM
	Maximum support	16GB	8GB
Ethernet	SFP GbE	0/2/4	-
	RJ45 GbE	6/6/6	6
	Bypass	2/2/2	2-pair(LAN3&LAN4, LAN5&LAN6)
Expansion	PCI-E	-	1
	PCI	-	-
	Mini PCI	-	-
LCM	LCM	16 x 2 characters LCD module with 4 buttons	-
Storage	HDD	2 x 2.5" / SATA II	1 x 2.5" / SATA II
	CF	1	1
I/O	Console	1 x RJ45	1 x RJ45
	VGA	Option by cable	Option by cable
	USB	2 x USB 2.0 External	2 x USB 2.0 External
	Dimension	440mm x 371.5mm x 44mm	440mm x 250mm x 45mm
Thermal	Cooling Fan	Cooling Fan	
Reference page	34	36	

Product Matrix

Networking Appliance



Form Factor		Microbox	
Model Name		AND-J190/J180N2-C612	AND-G420N1
System	CPU type	Intel Celeron Bay Trail J1900, Quad-core, clock speed 2.00GHz Intel Celeron Bay Trail J1800, Dual-core, clock speed 2.41GHz	AMD G-Series GX-420MC Quad-core, clock speed 2.00GHz
Chipset	Chipset	6 x Intel GbE chip	AMD G-Series SoC
Memory	Technology	DDR3L-1333MHz, SO-DIMM	DDR3L-1600MHz, SO-DIMM
	Maximum support	8GB	16GB
Ethernet	SFP GbE	0	0
	RJ45 GbE	6	6
	RJ45 FE 10/100	-	0
	Bypass	2-pair(LAN3&LAN4, LAN5&LAN6)	2-pair(LAN1&LAN2, LAN3&LAN4)
Expansion	Mini PCIe	1	0
	PCI-E	-	1
	Mini PCI	-	0
Storage	HDD bracket	1 x 2.5"	1 x 2.5"
	HDD type	1 x SATA II	1 x SATA II
	CF	1	1
I/O	Console	1 x RJ45	1 x RJ45
	VGA	Option by cable	Option by cable
	USB	1 x USB 3.0, 2 x USB 2.0	2 x USB 3.0, 2 x USB 2.0(Internal pin header)
Dimension		235mm x 152mm x 44.5mm	242mm x 149.5mm x 44mm
Thermal		Cooling Fan	Cooling Fan
Reference page		38	40

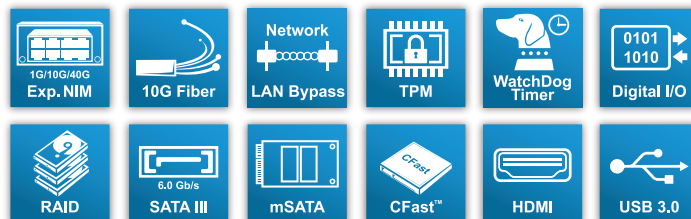
ANR-C236N1 series

1U Rackmount Intel® PCH C236 Networking, 1 Exp. NIM, 2 SFP+, 12 GbE LANs



Features

- Intel® C236 Platform
- Intel® Xeon® E3-1200 Family v5
- Intel® 6th Gen CPU Skylake-S Core™ i7/i5/i3/Pentium
- Intel® 7th Gen CPU Kabylake (coming soon...)
- 4 x UDIMM DDR4-2400, ECC/non-ECC, (up to 64GB)
- 1 x Exp. NIM (1G/10G/40G Fiber/Copper/LAN Bypass)
- 2 x SFP+ (10G Fiber)
- 12 x GbE Copper (4-pair bypass) & 1 Mgmt. port
- 2 x 2.5" Hot-swappable (RAID 0/1), 1 x mSATA & 1 x CFast
- 3 x Smart cooling fan
- 1+1 Redundant/Single PSU



Others

Battery	Lithium Battery, 3V 220mAh (CR2032)
Hardware Monitoring	CPU Volt. CPU & SYS Temp. CPU & SYS FAN Speeds
Security & Mgmt.	TPM 1.2 (default) / 2.0 (Optional) IPMI 2.0 Compliance (by project) Chassis Intrusion Detection

Power Requirement

Power Supply Unit	Redundant ATX PSU (250-300W) 100-240VAC Single ATX PSU (250-300W) 100-240VAC
-------------------	---

Software

OS Support	Linux Kernel 4.4 or above, (64-bit)
------------	-------------------------------------

Mechanical & Environment

Dimensions	440 (W) x 44 (H) x 500 (D) mm
Operating Temp.	0~ 40°C (32~104°F)
Storage Temp.	-20~80°C (-4~176°F)
Relative Humidity	0 to 90% @40°C, non-condensing
Certifications	CE, FCC Class A, RoHS 2, cULus

Model Name

ANR-C236N1-S2D0T	Networking 1U Rackmount w/ Intel® C236 PCH, .1x Exp. NIM (1G/10G/40G, Fiber/Copper/LAN Bypass) .12x GbE LANs (4-pair bypass) + 1x Mgmt. .2x SFP+ (10G Fiber) .Redundant PSU
ANR-C236N1-S2D00	Networking 1U Rackmount w/ Intel® C236 PCH, .1x Exp. NIM (1G/10G/40G, Fiber/Copper/LAN Bypass) .12x GbE LANs (4-pair bypass) + 1x Mgmt. .Redundant PSU
ANR-C236N1-S1D00	Networking 1U Rackmount w/ Intel® C236 PCH, .1x Exp. NIM (1G/10G/40G, Fiber/Copper/LAN Bypass) .12x GbE LANs (4-pair bypass) + 1x Mgmt. .Single PSU

Specification

System

CPU	Intel® Xeon® E3-1275/1225/1268L v5 Intel® 6th Gen CPU Skylake-S Core™ i7-6700(TE) Intel® 6th Gen CPU Skylake-S Core™ i5-6500 Intel® 6th Gen CPU Skylake-S Core™ i3-6100(TE) Intel® 6th Gen CPU Skylake-S Pentium™ G4400
Chipset	Intel® PCH C236
Memory	4 x 288-pin UDIMM DDR4-2400, ECC/non-ECC, (up to 64GB)
BIOS	AMI
WatchDog Timer	Software programmable 0~255 sec.

Video

Video Interface	HDMI 1.4
-----------------	----------

Ethernet

Chipset	Intel® I210/I350 (10/100/1000Mbps), LAN[1:8] / LAN[9:12] Intel® X710-BM2 (10G Fiber), SFP+[1:2]
Connector	12x GbE Copper (RJ-45) 2x 10G Fiber (SFP+)
LAN bypass	4-pair

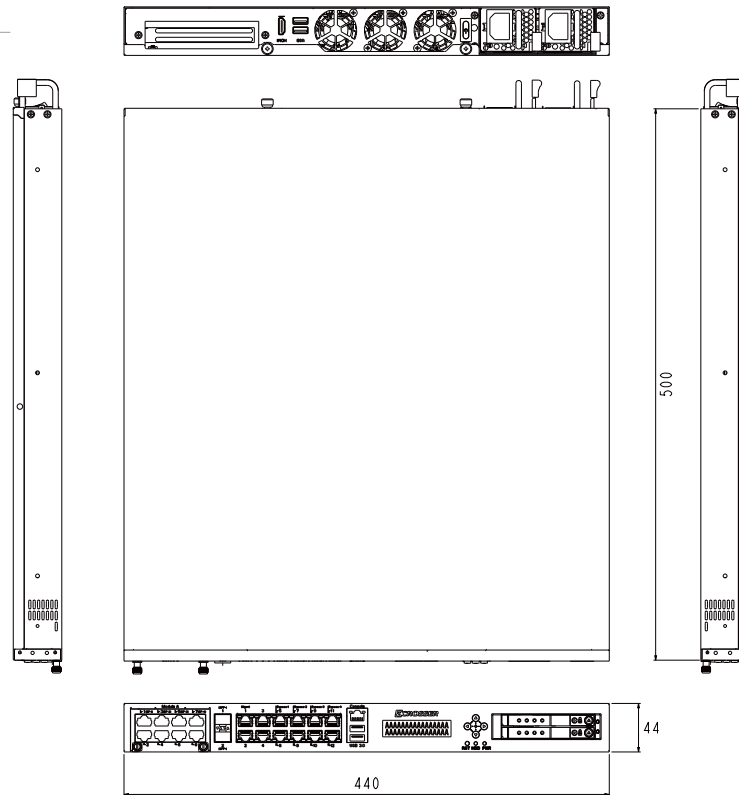
Storage

HDD Bay	2 x 2.5" SATA-III Hot-swappable (RAID 0/1)
mSATA	1 x mSATA socket (support full-size module)
CFast	1 x CFast socket

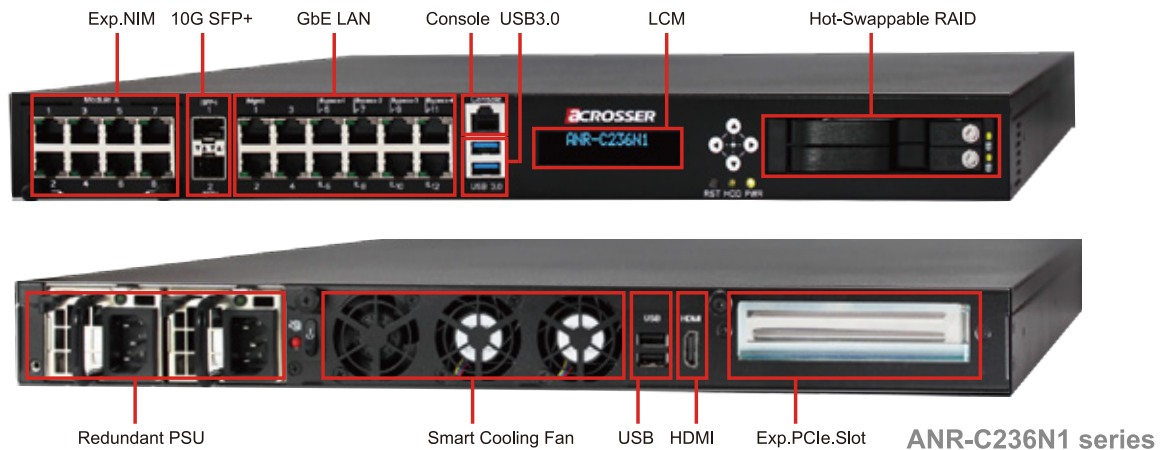
I/O

Console port	1 x Serial console (RJ-45)
USB port	2 x USB 3.0 (front-side) 2 x USB 2.0 (rear-side)
LCM	16 x 2 characters LCM with 4-key button
GPIO	8-bit GPIO (4-In, 4-Out), on-board pin header
Exp. NIM	1 x Exp. NIM (1G/10G/40G, Fiber/Copper/LAN Bypass)
Exp. PCIe slot	1 x Exp. PCIe slot
OPMA slot	1 x OPMA slot (for IPMI 2.0 module)

Dimensions



I/O Connectors



Packing List

- ANR-C236N1 series system x 1
- SATA cable x 2
- CD utility x 1
- Console cable (RJ-45 to DB9) x 1
- USA / EU / JPN / UK / AS / NZS / SA / India power cord x 2
- Rack bracket x 1
- Box packing x 1
- Screw for bracket (for rack + HDD bracket) x 14

Ordering Information

ANR-C236N1-S2D0T	Networking 1U Rackmount w/ Intel® C236 PCH, 1 Exp. NIM, 12 GbE LANs + 1 Mgmt., 2 SFP+, Redundant PSU
ANR-C236N1-S2D00	Networking 1U Rackmount w/ Intel® C236 PCH, 1 Exp. NIM, 12 GbE LANs + 1 Mgmt., Redundant PSU
ANR-C236N1-S1D00	Networking 1U Rackmount w/ Intel® C236 PCH, 1 Exp. NIM, 12 GbE LANs + 1 Mgmt., Single PSU

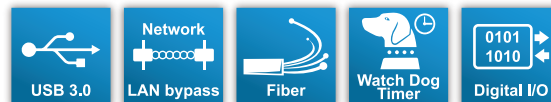
ANR-IB75N2/A/B

1U Rackmount Intel PCH B75 Networking, 8 GbE LANs



Features

- Intel B75 Platform
- Supports LGA1155 Intel® Core™ i7/i5/i3 processor / Pentium CPU
- 1 x SATAIII, 1 x SATAII
- 2 x USB 3.0
- Option1: Intel GbE LAN x 8
- Option2: Intel GbE LAN x 8 + 2 Fiber
- Option3: Intel GbE LAN x 8 + 4 Fiber



CE FCC

Power Requirement

Power Requirement	Internal 250W 80 PLUS(Bronze) power supply, input range 100V AC 60Hz ~ 230V AC 50Hz
-------------------	---

Software

OS Support	Win 7 32/64 bit, WES7 32bit, Fedora 14 32/64bit, Ubuntu 10.04 32/64bit
------------	--

Mechanical & Environment

Dimension	440 mm x 371.5 mm x 44mm
Operating Temp.	0~40°C (32~104°F)
Storage temp.	-20~80°C (-4~176°F)
Relative Humidity	0~90% @ 40°C, non-condensing
Safety	CE, FCC class A

Model Name

ANR-IB75N2	Networking Rackmount Server with PCH B75, 8 x RJ45 GbE LAN (2-pair bypass)
ANR-IB75N2A	Networking Rackmount Server with PCH B75, 8 x RJ45 GbE LAN (2-pair bypass) and 2 x Fiber expansion feature
ANR-IB75N2B	Networking Rackmount Server with PCH B75, 8 x RJ45 GbE LAN (2-pair bypass) and 4 x Fiber expansion feature

Specification

System

CPU	Intel 3rd Gen. Core i / Pentium LGA1155 Processors
Chipset	Intel B75
Memory	2 x DDR3L-1333/1600MHz, UDIMM, up to 16GB
BIOS	AMI
WatchDog Timer	Software programmable 0~255 sec.

Video

Video Interface	VGA(on board pin header)
-----------------	--------------------------

Ethernet

Chipset	ANR-IB75N2: Intel I210-AT(GbE) x8 ANR-IB75N2A: Intel I210-AT(GbE) x8 Intel 82576EB x2 (Fiber port) ANR-IB75N2B: Intel I210-AT(GbE) x8 Intel 82576EB x4 (Fiber port)
Connector	ANR-IB75N2: 8 x RJ45 for Copper Ethernet ANR-IB75N2A: 8 x RJ45 for Copper Ethernet 2 x SFP Slot ANR-IB75N2B: 8 x RJ45 for Copper Ethernet 4 x SFP Slot
LAN bypass	2-pair

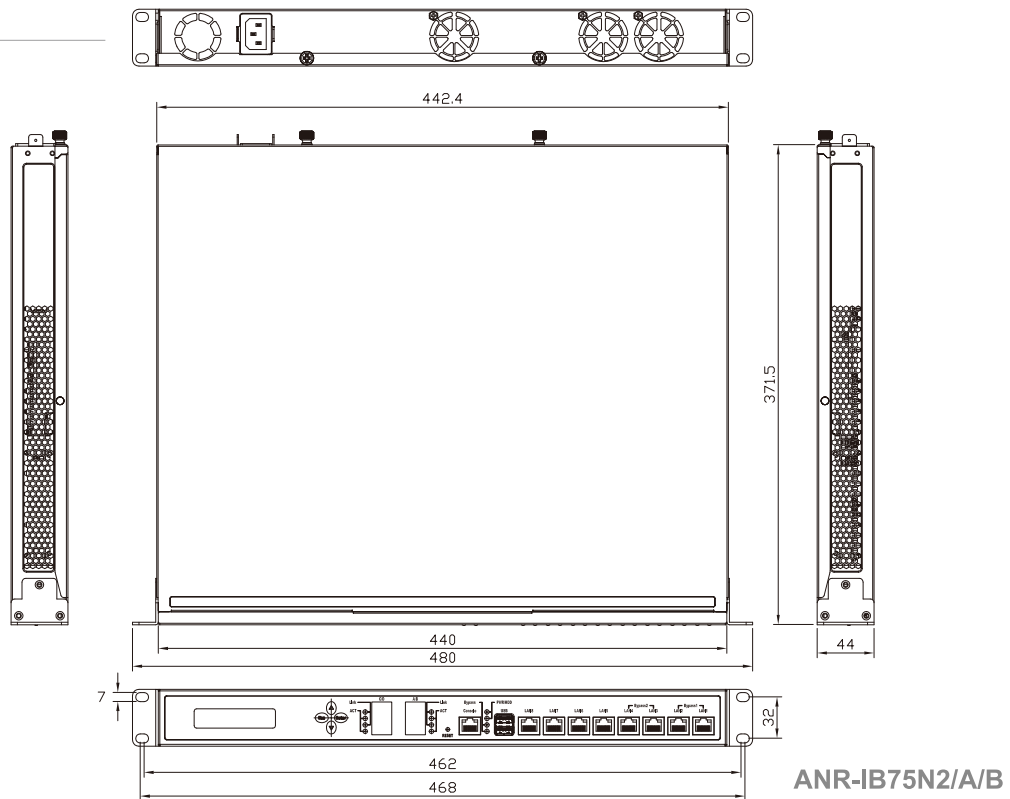
Storage

SATA	1 x SATA III , 1 x SATA II
Compact Flash	1 x Compact Flash Type II socket supports UDMA
HDD Bay	2 x 2.5" HDD bay

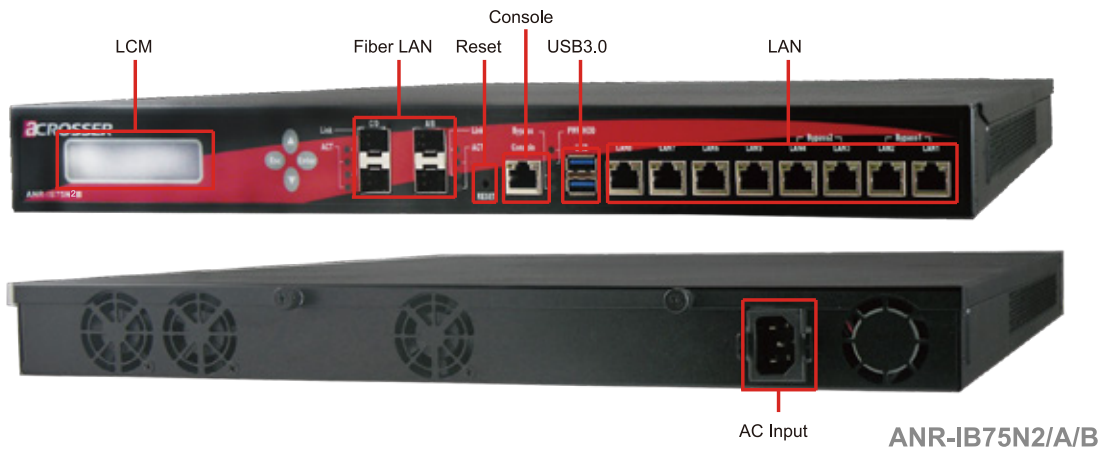
I/O

Console port	1 x RJ45 for console
USB port	2 x USB 3.0 ports
LCM	16 x 2 characters LCD module with 4 buttons
GPIO	8-bit GPIO (4 In, 4 Out) on board pin header

Dimension



I/O Connectors



Packing List

- ANR-IB75N2/A/B system x 1
- Quick manual x 1
- SATA cable x 2
- CD Utility x 1
- Console Cable(RJ45) x 1
- USA or Europe or Japan or UK power cord x 1
- Rack bracket x 2
- Box Packing x 1
- Screw for bracket (for Rack + HDD bracket) x 14
- Power cord hook x 1

Ordering Information & CPU support list

ANR-IB75N2(A/B)i71	3rd Generation Intel Core i7 Processors i7-3770
ANR-IB75N2(A/B)i51	3rd Generation Intel Core i5 Processors i5-3550S
ANR-IB75N2(A/B)i31	3rd Generation Intel Core i3 Processors i3-3220
ANR-IB75N2(A/B)PG1	Intel Pentium Processor G2120

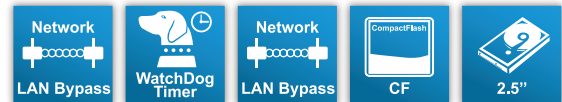
ANR-J190/J180N2-C612

Intel® Celeron® Bay Trail J1900/J1800 Networking 1U Rackmount,
6 x GbE LANs



Features

- Intel® Celeron® Bay Trail J1900/J1800
- 1 x 204-pin DDR3L-1333 MHz, 1 x SO-DIMM Slot, Up to 8GB
- 6 x GbE, 2 x USB
- 1 x Mini PCIe Expansion
- 2 x COM
- 8 x GPIO



CE FC

Power Requirement

Power Input	Internal 250W power supply, input range 100V AC 60Hz ~ 240V AC 50Hz
-------------	---

Software

OS Support	1. Windows 7 (32/64-bit) 2. Linux Kernel 3.11 (32/64-bit)
------------	--

Mechanical & Environment

Dimension	440 x 250 x 45 mm
Operating Temp.	0~40°C
Storage temp.	-20~80°C

Specification

System

CPU	1. Intel® Celeron® Bay Trail J1900, Quad-core, clock speed 2.00GHz 2. Intel® Celeron® Bay Trail J1800, Dual-core, clock speed 2.41GHz
Memory	1 x 204-pin SO-DIMM socket support 1333MHz DDR3L up to 8GB
BIOS	AMI UEFI
WatchDog Timer	Software programmable 0~255 sec.

Video

Graphic Controller	Integrated graphics support for processors with Intel Graphics Technology
Video Interface	1 x VGA (1 x internal header)

Ethernet

Chipset	6 x Intel GbE chip
Connector	6 x RJ45 with LED
Bypass LAN	Yes (2-pair: LAN3&LAN4, LAN5&LAN6)

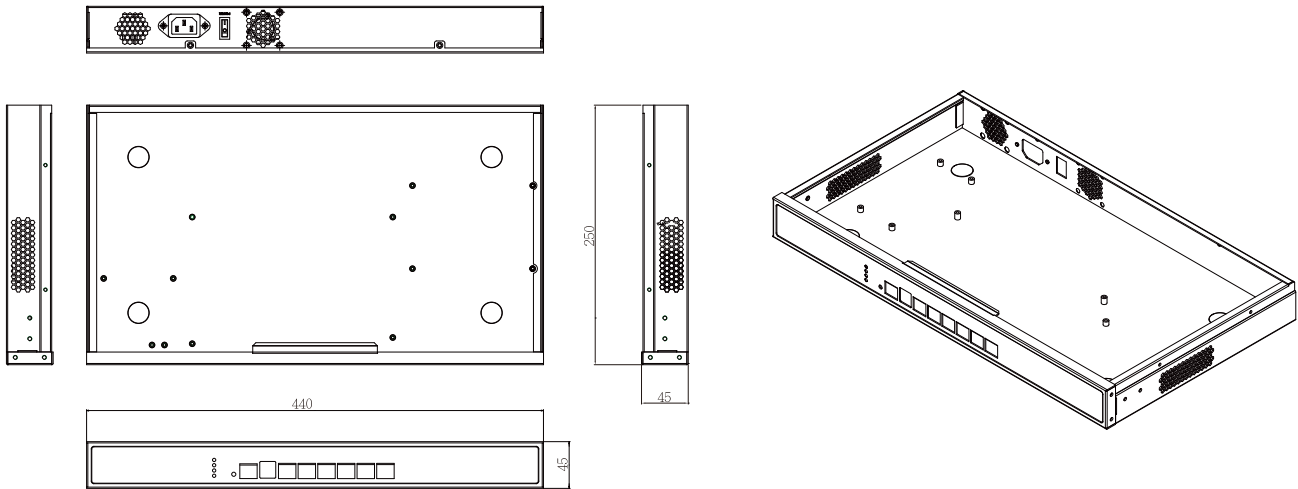
Storage

SATA	1 x SATAII port
Compact Flash	1 x Compact Flash Type II socket
HDD Bay	1 x 2.5" HDD Bay

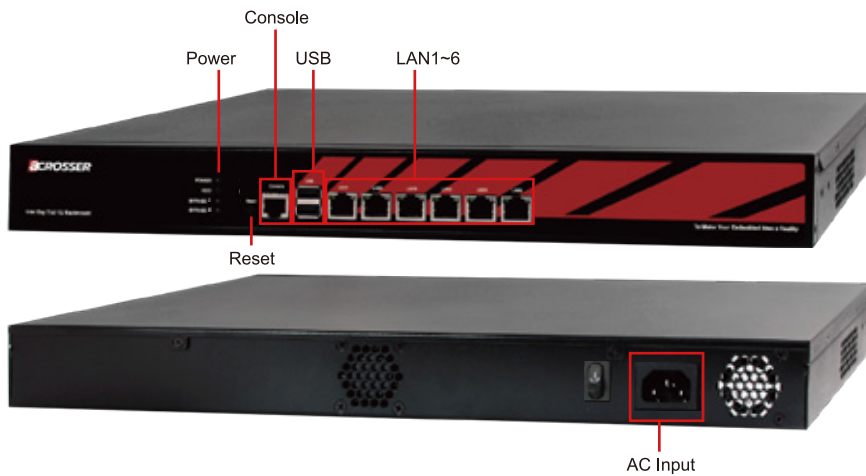
I/O

Expansion	1 x Mini PCIe socket
Console Port	1 x Console (1 x RJ45)
USB	2 x USB 2.0

Dimension



I/O Connectors



Packing List

- 1 x ANR-J190/J180N2-C612 system
- 1 x Driver CD
- 1 x Console Cable (DB9)
- 1 x SATA Cable
- 1 x SATA Power Cable
- 2 x Bracket Ears
- 1 x Power Cord (Option for USA/UK/EU/JPN/AU/RSA/IND)

Option

- | | |
|-----------------|---|
| ANR-J190N2-C612 | 2GB DDR3L-1333 memory (non-ECC SO-DIMM) |
| ANR-J180N2-C612 | 4GB DDR3L-1333 memory (non-ECC SO-DIMM) |
| | 8GB DDR3L-1333 memory (non-ECC SO-DIMM) |

Ordering Information

- | | |
|-----------------|--|
| ANR-J190N2-C612 | Intel® Celeron® Bay Trail J1900/J1800 Networking |
| ANR-J180N2-C612 | 1U Rackmount, DDR3L, GbE, USB 2.0, SATA II, CF, Mini PCIe PCIe |

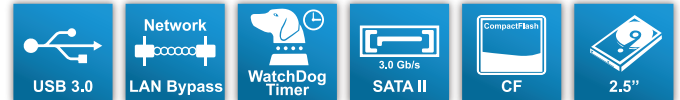
AND-J190/J180N2-C612

Intel® Celeron® Bay Trail J1900/J1800 Networking Microbox,
DDR3L, GbE, USB 3.0, SATA II, CF, Mini PCIe



Features

- Intel® Celeron® Bay Trail J1900/J1800
- 1 x 204-pin DDR3L-1333 MHz, 1 x SO-DIMM Slot, Up to 8GB
- 6 x GbE, 3 x USB
- 1 x Mini PCIe Expansion
- 2 x COM
- 8 x GPIO



Specification

System

CPU	1. Intel® Celeron® Bay Trail J1900, Quad-core, clock speed 2.0GHz 2. Intel® Celeron® Bay Trail J1800, Dual-core, clock speed 2.41GHz
Memory	1 x 204-pin SO-DIMM socket support 1333MHz DDR3L up to 8GB
BIOS	AMI UEFI
WatchDog Timer	Software programmable 1~255 sec.

Video

Graphic Controller	Integrated graphics support for processors with Intel Graphics Technology
Video Interface	1 x VGA (1 x internal header)

Ethernet

Chipset	6 x Intel GbE chip
Connector	6 x RJ45 with LED
Bypass LAN	Yes (2-pair: LAN3&LAN4, LAN5&LAN6)

Storage

SATA	1 x SATAII port
Compact Flash	1 x Compact Flash Type II socket
HDD Bay	1 x 2.5" HDD Bay

I/O

Expansion	1 x Mini PCIe socket
Console Port	1 x Console (1 x RJ45)
USB	1 x USB 3.0, 3 x USB 2.0 (2 x external)
Antenna Hole	2 x SMA for Wi-Fi (IEEE 802.11a/b/g/n/ac)

Power Requirement

Power Input	DC in 12V / 60W Adapter
-------------	-------------------------

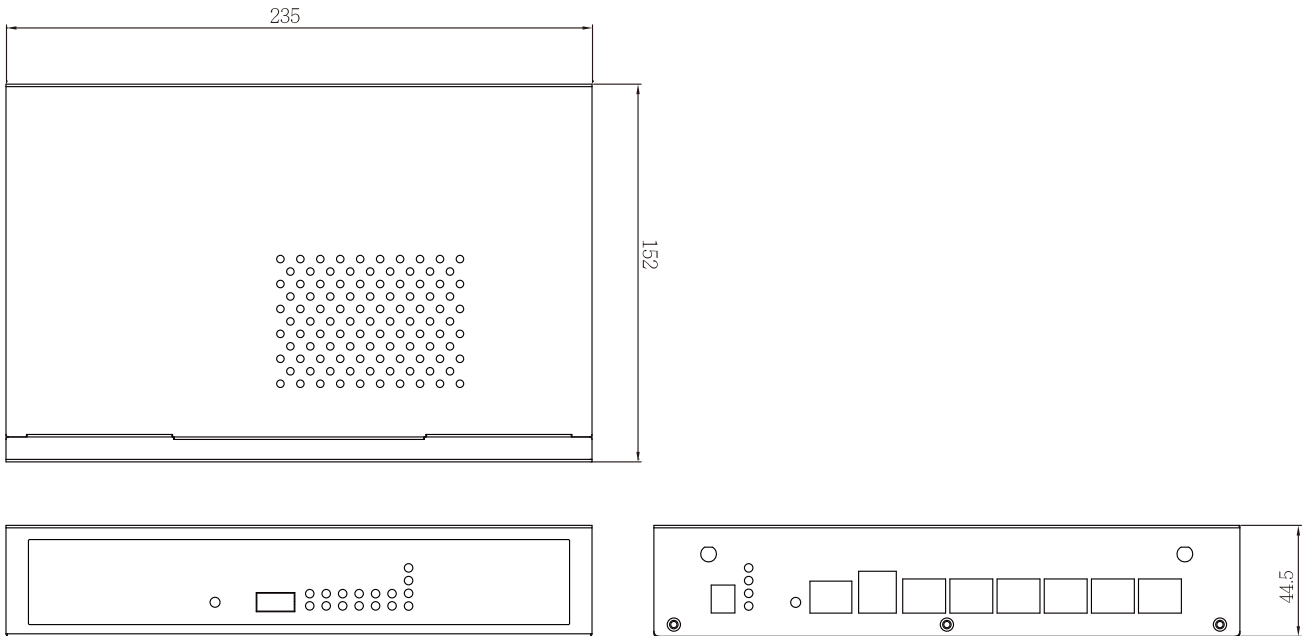
Software

OS Support	1. Windows 7 (32/64-bit) 2. Linux Kernel 3.11 (32/64-bit)
------------	--

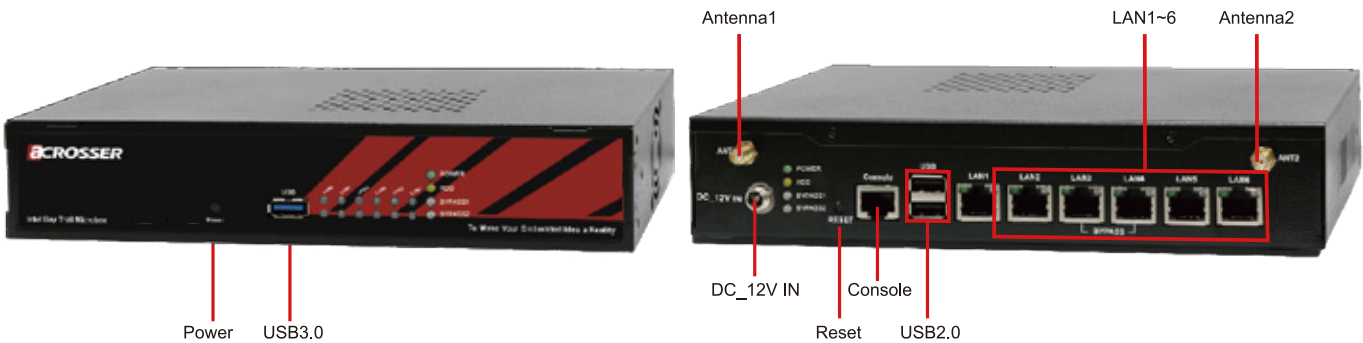
Mechanical & Environment

Dimension	235 x 152 x 44.5 mm
Operating Temp.	0~40°C
Storage temp.	-20~80°C

Dimension



I/O Connectors



Packing List

- 1 x AND-J190/J180N2-C612 system
- 1 x Driver CD
- 1 x Console Cable (DB9)
- 1 x SATA Cable
- 1 x SATA Power Cable
- 1 x Power Adaptor
- 1 x Power Cord (Option for USA/UK/EU/JPN/AU/RSA/IND)

Option

- | | |
|-----------------|---|
| AND-J190N2-C612 | 2GB DDR3L-1333 memory (non-ECC SO-DIMM) |
| AND-J180N2-C612 | 4GB DDR3L-1333 memory (non-ECC SO-DIMM) |
| | 8GB DDR3L-1333 memory (non-ECC SO-DIMM) |

Ordering Information

- | | |
|-----------------|---|
| AND-J190N2-C612 | Intel® Celeron® Bay Trail J1900/J1800 Networking |
| AND-J180N2-C612 | Microbox, DDR3L, GbE, USB 2.0/USB 3.0, SATA II, CF, Mini PCIe |

AND-G420N1

Networking Microbox, AMD® G-Series GX-420MC,
6 x Intel® GbE LAN (2-pair bypass)



Features

- AMD® G-Series GX-420MC, 4-core@2.0GHz, 2MB L2
- 2 x DDR3L-1600MHz, SO-DIMM, up to 16GB
- 6 x Intel® GbE LAN
- 2 x USB 3.0
- 2 x USB 2.0 (internal pin header)
- 1 x Console (RJ45)
- 8 x GPIO (4-In, 4-Out) internal pin header



CE FCC

Power Requirement

Power Input 1 x DC 12V/60W input

Software

OS Support Ubuntu 14.04 (32/64-bit), Linux Kernel 3.13 (32/64-bit)
Fedora 20 (32/64-bit), Linux Kernel 3.11 (32/64-bit)

Mechanical & Environment

Dimension 242 x 149.5 x 44mm
Operating Temp. 0~40°C (32~104°F)
Storage Temp. -20~80°C (-4~176°F)
Relative Humidity 0 to 90% @40°C, non-condensing
EMC & Safety CE, FCC class A

Specification

System

CPU	AMD G-Series GX-420MC Quad-core, clock speed 2.00GHz
Memory	2 x DDR3L-1600MHz, SO-DIMM, up to 16GB
BIOS	AMI® UEFI BIOS
WatchDog Timer	Software programmable 0~255 sec. (0=Disable Timer)

Ethernet

Chipset	6 x Intel® I210-AT GbE chip
Connector	6 x RJ45 with LED
LAN Bypass	2-pair(LAN1&LAN2, LAN3&LAN4)

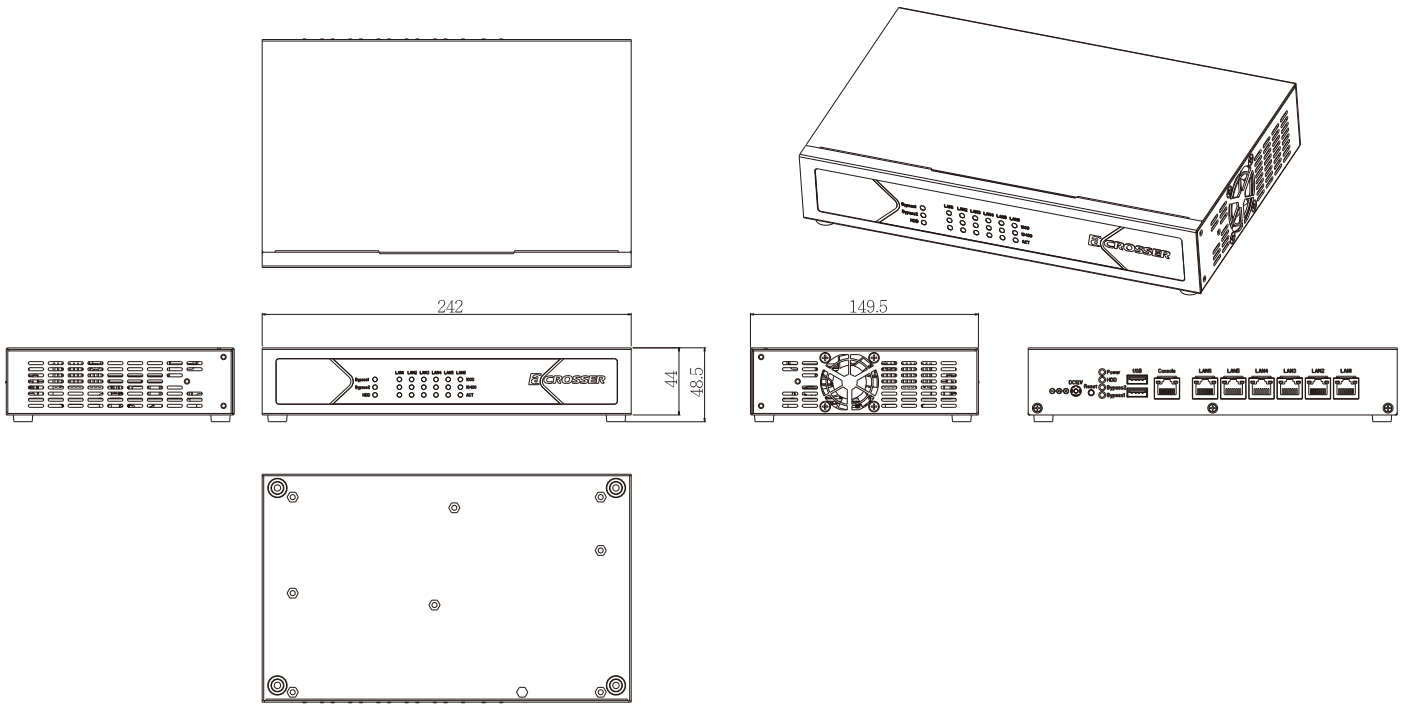
Storage

SATA	1 x SATAII port
Compact Flash	1 x Compact Flash Type-II socket (Support UDMA)
HDD Bay	1 x 2.5" HDD Bay

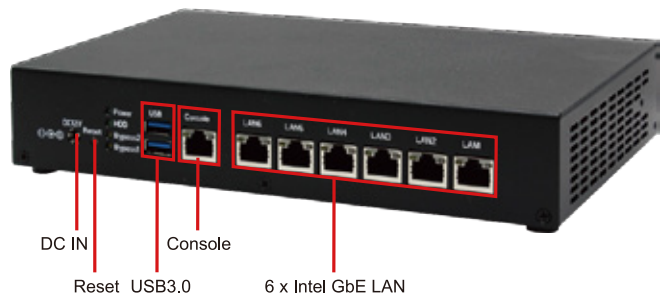
I/O

Console Port	1 x Console (RJ45)
USB	2 x USB 3.0
USB	2 x USB 2.0 (internal pin header)
GPIO	8-bit GPIO (4-In, 4-Out) internal pin header

Dimension



I/O Connectors



Packing List

- 1 x AND-G420N1 System
- 1 x Console Cable
- 1 x Quick User Manual
- 1 x CD with Driver and Manual
- 1 x Power Adaptor
- 1 x Power Cord (Option for US/EU/UK/JPN)
- 1 x Screw Pack
- 1 x Pull-tab Opener

Ordering Information

AND-G420N1 Networking Microbox, AMD® G-Series GX-420MC, 6 x Intel GbE LAN (2-pair bypass)

Product Matrix

Embedded SBC



Form Factor	Mini-ITX	
Model Name	AMB-BS31T1	AMB-BT45B1 Series
CPU	Intel Celeron N3150	Intel Atom E3845 / E3815
Chipset	Intel Bay Trail SoC	Intel Bay Trail SoC
Memory	2 x DDR3L-1333MHz, SO-DIMM, up to 8GB (AMB-BT19B1 / AMB-BT45B1 / AMB-BT45B1W) 1 x DDR3L-1066MHz, SO-DIMM, up to 4GB (AMB-BT15B1)	2 x DDR3L-1333MHz, SO-DIMM, up to 8GB (AMB-BT19B1 / AMB-BT45B1 / AMB-BT45B1W) 1 x DDR3L-1066MHz, SO-DIMM, up to 4GB (AMB-BT15B1)
Graphics	Intel GMA 3650	Intel GMA 3650
Video Interface	1 x VGA, 1 x HDMI, 1 x 24-bit LVDS	1 x VGA, 1 x HDMI, 1 x 24-bit LVDS
E-IDE(44pin) / IDE(40pin)	- / -	- / -
SATA	1 x SATA II	1 x SATA II
CF	-	-
Expansion Slot	1 x mini PCIe, 1 x SIM Slot	1 x mini PCIe, 1 x SIM Slot
Ethernet	1 x GbE LAN	1 x GbE LAN
USB	6 x USB 2.0	6 x USB 2.0
GPIO	8-bit Digital I/O	8-bit Digital I/O
Serial Port	2 x RS-232/485, 4 x RS-232	2 x RS-232/485, 4 x RS-232
Parallel Port	1	1
Audio	Realtek A LC888	Realtek ALC888
WatchDog Timer	1 ~ 255 seconds	1 ~ 255 seconds
Hardware Monitor	YES	YES
Page	46	48

Embedded SBC



Form Factor	Mini-ITX	
Model Name	AMB-BT18T1 Series	AMB-IH81T1
CPU	Intel Celeron J1800 / J1900	Intel Core i7 / i5 / i3, Pentium, Celeron
Chipset	Intel Bay Trail SoC	Intel H81
Memory	1 x DDR3L-1333MHz, SO-DIMM, up to 8GB	2 x DDR3-1333/1600MHz, UDIMM, up to 16GB Intel® HD Graphics
Graphics	Intel HD Graphics	2 x VGA
Video Interface	1 x VGA, 1 x HDMI, 1 x 24-bit LVDS	2 x VGA
E-IDE(44pin) / IDE(40pin)	- / -	- / -
SATA	1 x SATA II, 1 x mSATA	1 x SATA II, 2 x SATA III
CF	-	-
Expansion Slot	1 x mini PCIe, 1 x SIM Slot	1 x PCIe x16, 1 x mini PCIe
Ethernet	1 x GbE LAN	2 x GbE LAN
USB	9 x USB 2.0	8 x USB 2.0, 2 x USB 3.0
GPIO	8-bit Digital I/O	8-bit Digital I/O
Serial Port	1 x RS-232/485, 4 x RS-232, 1 x RS232/TTL	1 x RS-232/485, 11 x RS-232
Parallel Port	1	1
Audio	Realtek ALC662	Realtek ALC662
WatchDog Timer	1 ~ 255 seconds	1 ~ 255 seconds
Hardware Monitor	YES	YES
Page	50	52

Product Matrix

Embedded SBC



Form Factor	Mini-ITX	COM Express type 6	
Model Name	AMB-A55ET1	AMB-HM76B1FL	AMB-HM76B1
CPU	AMD Dual Core T56N APU1.65GHz	Intel Core i7/ i3/ Celeron	Intel Core i7/ i3/ Celeron
Chipset	AMD Hudson E1(A55E)	Intel HM76	Intel HM76
Front Side Bus	-	-	-
Memory	1 x SO-DIMM DDR3-1066/1333MHz up to 4G	2 x DDR3L-1333/1600MHz, SO-DIMM, up to 16GB	2 x DDR3L-1333/1600MHz, SO-DIMM, up to 16GB
Graphics	AMD Radeon HD 6320 500MHz	Intel HD / HD 4000	Intel HD / HD 4000
Video Interface	1 x VGA 1 x HDMI 1 x LVDS	1 x Analog RGB Display, 1 x HDMI Port 1 x Dual Channel LVDS, 3 x Display Port 1 x SDVO/Display Port	1 x Analog RGB Display, 1 x HDMI Port 1 x Dual Channel LVDS, 3 x Display Port 1 x SDVO/Display Port
SATA	2	4	4
CF	-	-	-
Floppy	-	-	-
Expansion Slot	1 x PCIe x16 Gen.3, 6 x PCIe x1	1 x PCIe x16 Gen.3, 6 x PCIe x1	1 x PCIe x16 Gen.3, 6 x PCIe x1
Ethernet	1 x RJ45	1 x RJ45	1 x RJ45
USB	4 x USB 2.0	4 x USB 3.0, 8 x USB 2.0	4 x USB 3.0, 8 x USB 2.0
GPIO	8-bit Digital I/O 4-bit DI and 4-bit DO	8-bit Digital I/O 4-bit DI and 4-bit DO	8-bit Digital I/O 4-bit DI and 4-bit DO
Serial Port	2 x COM Interface (TX/RX only)	2 x COM Interface (TX/RX only)	2 x COM Interface (TX/RX only)
Parallel Port	-	-	-
Audio	Intel HD Audio Channel	Intel HD Audio Channel	Intel HD Audio Channel
WatchDog Timer	0 ~ 255 seconds	0 ~ 255 seconds	0 ~ 255 seconds
Hardware Monitor	Yes	Yes	Yes
Page	54	55	56

Embedded SBC



Form Factor	3.5"		
Model Name	AMB-BT28S2	AMB-BT19S1	AMB-N280S1
CPU	AMD GeodeLX800 500 MHz	Intel® Celeron® J1900 2.42 GHz	Intel Atom N2800 1.86GHz
Chipset	AMD Geode LX800 + CS5536	Intel Bay Trail SoC	Intel NM10
Front Side Bus	500MHz	-	-
Memory	1 x DDR-200MHz, SO-DIMM, up to 1GB	1 x DDR3L-1333MHz, SO-DIMM, up to 8GB	1 x DDR3L-800/1066MHz, SO-DIMM, up to 4GB
Graphics	AMD Gdode LX800Integrated GPU	-	Intel Atom N2800
Video Interface	1 x VGA 1 x 24-bit TTLinterface for TFT LCD	1 x VGA, 1 x 24-Bit LVDS	1 x VGA, 1 x HDMI 1 x 18-bit LVDS
E-IDE(44pin) / IDE(40pin)	1 / -	- / -	- / -
SATA	-	1 x SATA II, 1 x mSATA	1
CF	-	-	-
Floppy	-	-	-
Expansion Slot	1 x PCI-104	2 x mini PCIe	2 x mini PCIe, 1 x SIM slot
Ethernet	1 x 10/100 MB LAN	2 x GbE LAN	2 x GbE LAN
USB	4	7	4
GPIO	8-bit Digital I/O	8-bit Digital I/O	8-bit Digital I/O
Serial Port	2 x RS-232	COM1(DB9), COM1~COM5(RS232) COM6(RS232/485)	5 x RS-232 (2 x TX/RX only) 1 x RS-232/485
Parallel Port	-	-	1
Audio	Realtek A LC888	Realtek ALC888	Realtek ALC662
WatchDog Timer	1 ~ 60 seconds	1 ~ 255 seconds	1 ~ 255 seconds
Hardware Monitor	YES	YES	YES
Page	57	58	59

Product Matrix

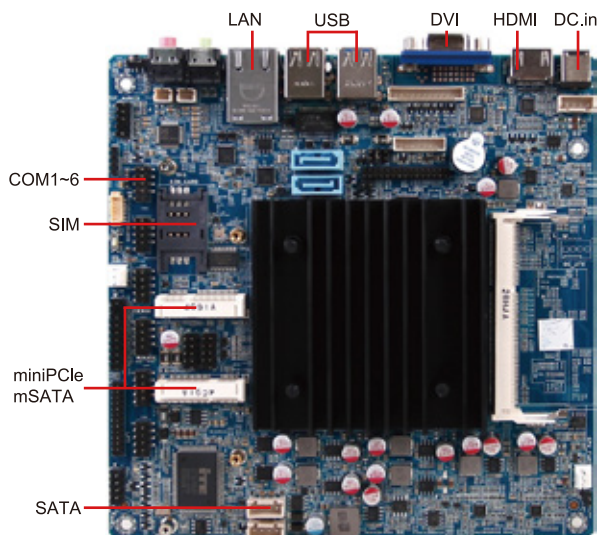
Embedded SBC



Form Factor	ISA Half-Size	
Model Name	AR-B8170	AR-B8172
CPU	Onboard DM&P Vortex86DX 800MHz	Onboard DM&P Vortex86DX 800MHz
Chipset	-	-
Front Side Bus	-	-
Memory	Onboard 256MB DDR2 SDRAM	Onboard 256MB DDR2 SDRAM
Graphics	XGI Z9s	XGI Z9s
Video Interface	1 x VGA	1 x VGA
E-IDE(44pin) / IDE(40pin)	1 x IDE(40pin) support Ultra DMA33/66/100	1 x IDE(44-pin)
SATA	-	-
CF	1 x Compact Flash Type I/II socket	1 x Compact Flash Type I/II socket
Floppy	-	-
Expansion Slot	1 x PC/104	1 x PC/104
Ethernet	1 x 100 MB	1 x 100 MB
USB	4	4
GPIO	16-bit Digital I/O	16-bit Digital I/O
Serial Port	1 x RS-232, 1 x RS-232/422/485	1 x RS-232, 1 x RS-232/422/485
Parallel Port	1 x LPT	1 x LPT
Audio	-	-
WatchDog Timer	1 ~ 255 seconds	1 ~ 255 seconds
Hardware Monitor	YES	YES
Page	60	61

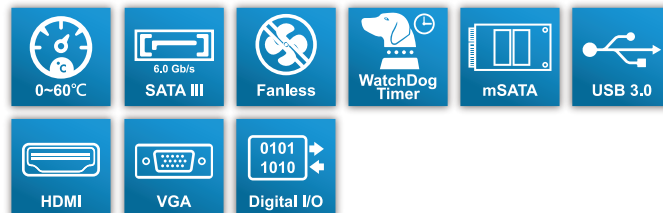
AMB-BS31T1

Intel® Celeron N3150 (Braswell, 2M Cache, 2.0



Features

- Intel® Celeron N3150
- DVI/HDMI/LVDS, Dual Display Support.
- 2x USB3.0, 3~5 x USB2.0,
- 2 x miniPCIe
- 1 x mSATA ,
- Optional Dual LAN,6XCOM.



Specification

System

CPU	Intel® Celeron® N3150
Memory	1 x So-DIMM DDR3L 1333 MHz DIMM socket, Support up to 8GB system memory
BIOS	AMI EFI 64Mb BIOS
Cooler Module	Fanless heatsink.

Video

Graphic Controller	Intel® HD Graphics
Video Interface	1 x DIV-I , Up to 2560 x 1600 @ 60Hz 1 x HDMI, Up to 2560 x 1600 @60Hz 1 x LVDS , Up to 1920 x 1080

Storage

SATA	2 x SATAIII, 1 x mSATAIII
------	---------------------------

I/O

Expansion Slot	2 x miniPCIe- -Full length for mSATA , miniPCIe -Full length for miniPCIe/USB/3G/wi-fi, 1 x SIM
Ethernet	1 x RJ45 Gbe LAN (AMB-BS31T1SL) 2 x RJ45 Gbe LAN (AMB-BS31T1)
Ethernet Chip	Realtek 8111F LAN controller
Serial Port	6 x RS232 header(AMB-BS31T1) 2 x RS232 header(AMB-BS31T1SL)
Parallel Port	1 x LPT header
USB	2 x USB3.0 (AMB-BS31T1) Or 2 x USB 3.0 + 2 x USB 2.0 (AMB-BS31T1SL) 3 x USB 3.0 header
Audio	Realtek High Definition Audio -1 x Line in -1 x Audio out
GPIO	8 bit Digital I/O

Power Requirement

Power Input	12V ~ 19V DC
-------------	--------------

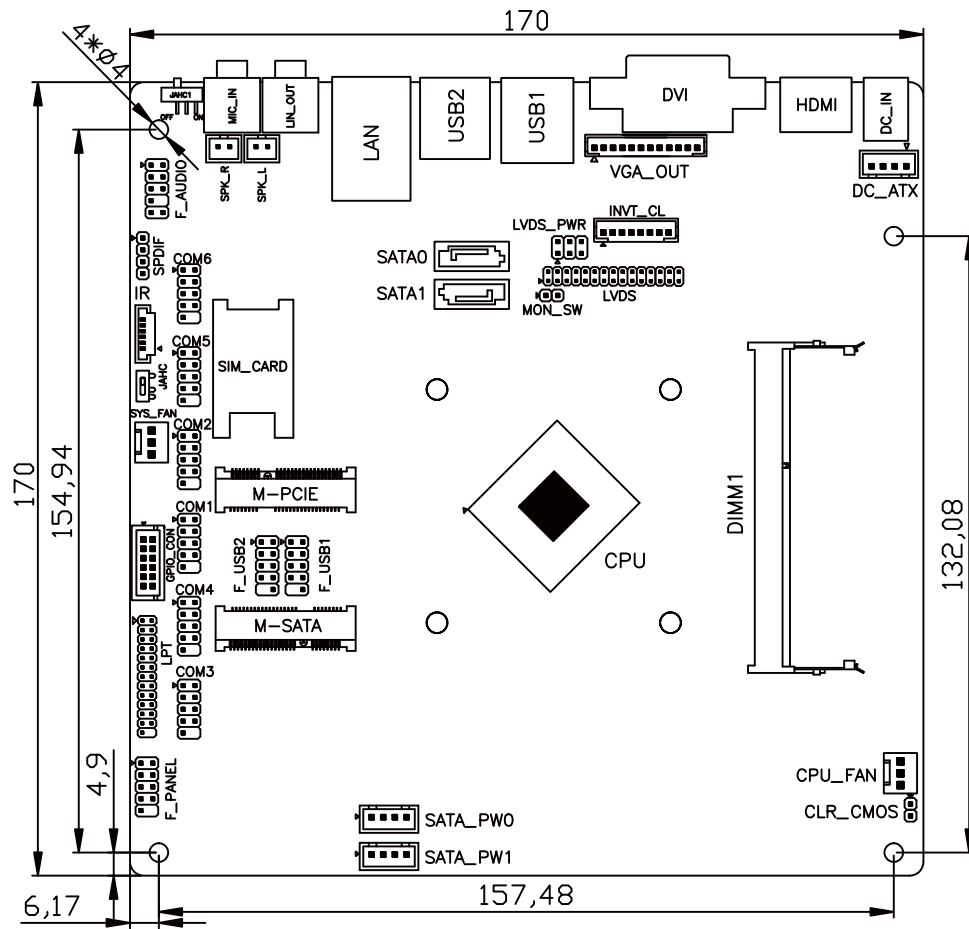
Software

OS Support	Windows 8.1 (32 bit/64 bit), Windows 10 Linux(by request)
------------	--

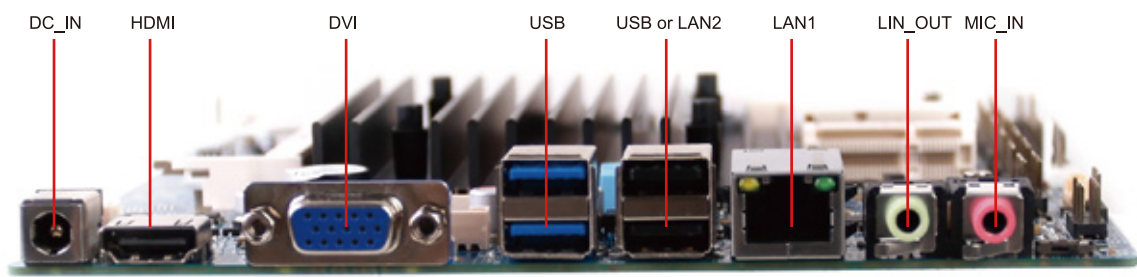
Mechanical & Environment

Operating Temp.	0~60°C
Storage temp.	-20~75°C
Humidity	95%@40°C(non-condensiang)
Safety	RoHS

Dimension



I/O Connectors



Packing List

- 1 x AMB-BS31T1
- 1 x Quick User Guide
- 1 x Driver CD
- 1 x SATA Cable
- 1 x Barcked

AMB-BT45B1/W (Wide Temperature)

Intel Bay Trail SoC, 1 x VGA, 1 x DVI, 1 x LVDS, 2 x GbE, 6 x COM, 1 x USB3.0, 6 x USB2.0, 1 x PCIe x4, 1 x mini PCIe



Features

- Intel Bay Trail SoC, low power consumption.
- 2 x DDR3L-1066/1600MHz, SO-DIMM, up to 8GB
- 1 x USB3.0, 6 x USB2.0, 1 x PCIe x4, 1 x mini PCIe
- Wide Temperature(AMB-BT45B1W : -40~85°C)



Specification

Specification

CPU	<ol style="list-style-type: none"> 1. Intel Atom E3815, Single Core, 0.5M Cache, 1.46GHz, 5W (AMB-BT15B1) 2. Intel Celeron J1900, Quad Core, 2M Cache, 2GHz (2.41GHz), 10W(AMB-BT19B1) 3. Intel Atom E3845, Quad Core, 2M Cache, 1.91GHz, 10W (AMB-BT45B1/ AMB-BT45B1W)
Chipset	Intel Bay Trail SoC
Memory	<ul style="list-style-type: none"> • 2 x DDR3L-1600MHz, SO-DIMM, (AMB-BT19B1/AMB-BT45B1/AMB-BT45B1W) up to 8GB system memory • 1 x DDR3L-1066MHz, SO-DIMM, (AMB-BT15B1) up to 4GB system memory

Video

Graphic Controller	Intel® HD Graphics
Video Memory	Shared Memory
Video Interface	<ul style="list-style-type: none"> • 1 x VGA (DB15) resolution up to 2560x1600 @ 60Hz • 1 x DVI-D resolution up to 1920x1080 @ 60Hz • 1 x LVDS (24 Bit Dual channel LVDS, resolution up to 1920x1200 @ 60Hz)

Storage

SATA	2 x SATA II ports
------	-------------------

I/O

Ethernet	2 x GbE, Intel I210AT PCIe Ethernet controllers
Expansion Slot	<ul style="list-style-type: none"> • 1 x PCIe x 4 slot (x1 Signal) • 1 x mini PCIe slot
Serial Port	<ul style="list-style-type: none"> • 1 x RS232/485 (DB9) • 1 x RS232 (DB9) • 1 x RS232/485 (Pin Header) • 3 x RS232 (Pin Header)
USB	<ul style="list-style-type: none"> 3 x USB 2.0 port on rear I/O 1 x USB 3.0 Port on rear I/O 3 x USB 2.0 pin header
GPIO	8-bit Digital I/O
Audio	Realtek ALC888 5.1-channel High Definition Audio 1xLine in, 1x Line out

Hardware Feature

Hardware Monitoring	<ol style="list-style-type: none"> 1.CPU voltage 2.CPU and System Temperature 3.System fan speed
WatchDog Timer	Software programmable 1~255 Sec.

Power Requirement

Power Input	1 x ATX 24-Pin ATX power connector
Power State	S0, S1, S3, S4
Power Consumption	TBD

Software

OS Support	Window 7 (32bit/64bit), windows 8.1(32bit/64 bit)
------------	--

Mechanical & Environment

Dimension	170mm x 170mm (6.69" x 6.69")
Weight	TBD
Operating Temp.	<ul style="list-style-type: none"> • -20~70°C - (AMB-BT45B1) • -40~85°C - (AMB-BT45B1W) • 0~60°C - (AMB-BT19B1) • 0~60°C - (AMB-BT15B1)
Storage Temp.	-40~85°C
Relative Humidity	5 to 90% , non-condensing
Safety	CE, FCC class A

Packing List

- 1 x AMB-BT45B1 main board
- 1 x Driver CD
- 1 x Quick Guide
- 1 x IO Shield
- 1 x SATA Cable
- 1 x Heatsink

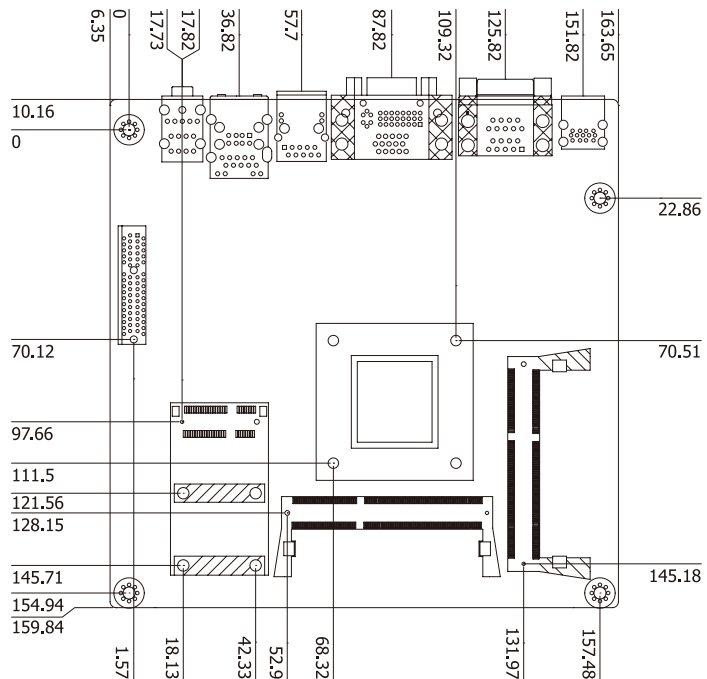
Ordering Information

AMB-BT45B1	Intel Atom E3845, Quad Core, 2M cache, 1.91GHz, 10W (2 x LAN, 2 x COM)
AMB-BT45B1W	Intel Atom E3845, Quad Core, 2M cache, 1.91GHz, 10W (2 x LAN, 6 x COM)
AMB-BT19B1	Intel Celeron J1900, Quad Core, 2M cache, 2GHz (2.41GHz), 10W (2 x LAN, 6 x COM)
AMB-BT15B1	Intel Atom Atom E3815, Single Core, 0.5M cache, 1.46GHz, 5W (2 x LAN, 6 x COM)

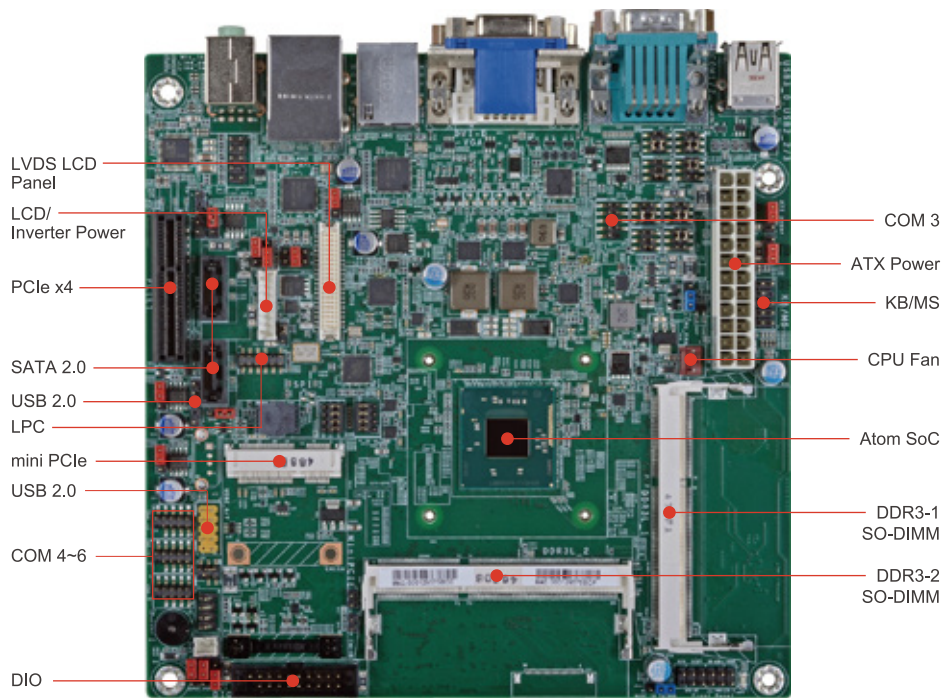
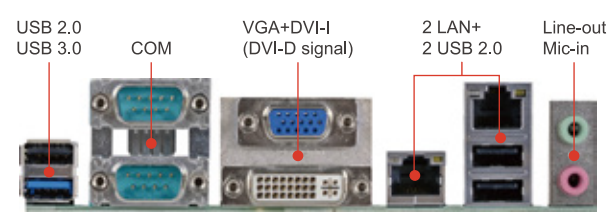
Optional Cable

- USB port cable (2.54mm)
- USB port cable (2.0mm)
- COM port cable
- Serial ATA data cable

Dimension



I/O Connectors



AMB-BT18T2

Intel Bay Trail SoC, 1 x VGA, 1 x HDMI, 1 x LVDS, 2 x GbE, 6 x COM, 9 x USB 2.0, 1 x mini PCIe, 1 x SATA II, 1 x mSATA



Features

- Intel Bay Trail SoC, low power consumption.
- 1 x DDR3L-1333MHz, SO-DIMM, up to 8GB
- 9 x USB 2.0
- 4 x RS232, 1 x RS232/485, 1 x RS232/TTL
- 2 x GbE LAN, 1 x mini PCIe, 1 x SIM slot
- 1 x SATAII, 1 x mSATA
- 12V Input
- Fanless design



CE FC

Specification

Specification

CPU	1. Intel® Celeron® J1800, Dual-Core, 1M Cache, 2GHz (2.41GHz), 10W(AMB-BT18T2)
Chipset	Intel Bay Trail SoC
Memory	1 x DDR3L-1333MHz, SO-DIMM, up to 8GB
BIOS	AMI UEFI BIOS
Real Time Clock	1 x System RTC

Video

Graphic Controller	Intel® HD Graphics
Video Interface	<ul style="list-style-type: none"> • 1 x VGA, resolution up to 2560x1600 @ 60Hz • 1 x HDMI, resolution up to 1920x1080 @ 60Hz • 1 x LVDS (24 Bit Dual channel LVDS, resolution up to 1920x1200 @ 60Hz)

Storage

SATA	1 x SATA II Port + 1 x mSATA
------	------------------------------

I/O

Ethernet	2 x GbE LAN
Expansion Slot	1 x mini PCIe
Ethernet Chip	2 x Realtek GbE LAN Chip (8105E/8111E)
Serial Port	4 x RS232 + 1 x RS232/RS485 + 1 x RS232/TTL
Parallel Port	1 x Parallel Port
USB	9 x USB2.0 (4XReal I/O + 5 x Pin Header.)
Audio	Realtek ALC662 5.1-channel High Definition Audio 1 x Line-out, 1 x MIC-in
GPIO	8 x GPIO
Keyboard	1 x PS/2 connector for Key Board/Mouse
SIM	1 x SIM slot

Power Requirement

Power Input	2 x 4-Pin AT power connector
Power Output	DC 12V/5V power output Connector, System Fan & CPU Fan connector

Software

OS Support	Window 7 (32bit/64bit), windows 8.1(32bit/64 bit)
------------	--

Mechanical & Environment

Dimension	170mm x 170mm (6.69" x 6.69")
Operating Temp.	0~60°C
Storage Temp.	-20~75°C
Safety	RoHS

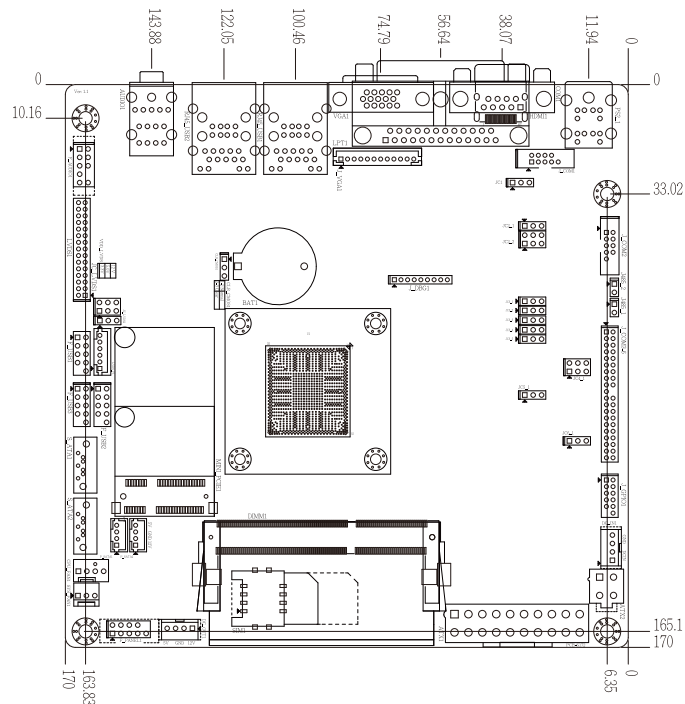
Packing List

- AMB-BT18T2
- Quick User Guide
- Driver CD
- SATA Cable
- SATA Power Cable
- 3 x COM Cable
- VGA Cable

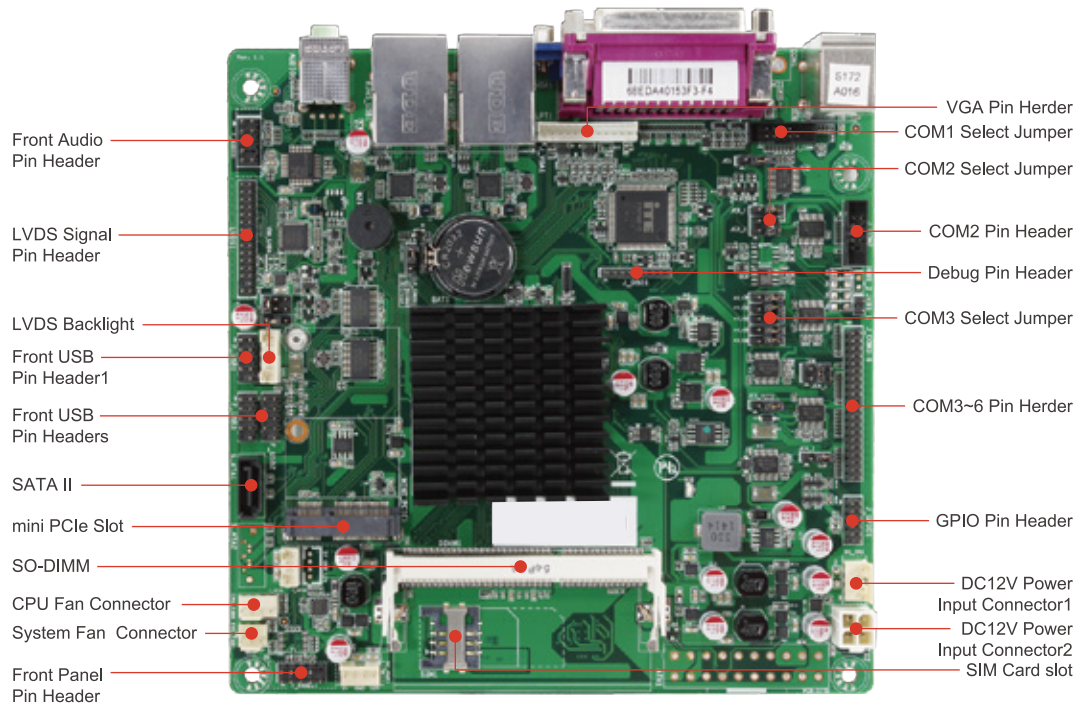
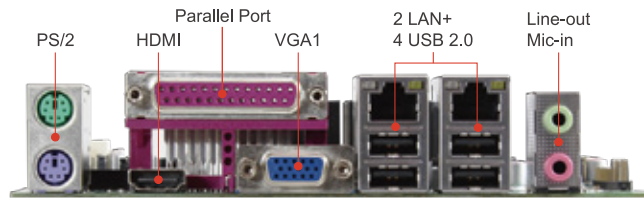
Ordering Information

AMB-BT18T2	Intel Celeron J1800, Dual Core, 1M cache, 2GHz (2.41GHz), 1 x VGA, 1 x HDMI, 1 x LVDS, 2 x GbE, 6 x COM, 9 x USB2.0, 1 x mini PCIe, 1 x SATA, 1 x mSATA
------------	---

Dimension



I/O Connectors



AMB-IH81T1

Intel® H81 Chipset with Intel Pentium/ Celeron/ 4th Generation Core i3/5/7,
2 x GbE, 2 x COM, 8 x USB2.0, 2 x USB3.0, 1 x PCIe x16, 1 x mini PCIe,



Features

- Support Intel 4th Gen Pentium/ Celeron/ Core i3/ i5/ i7 CPU
- 2 x DDR3L-1333/1600MHz, UDIMM, up to 16GB
- 1 x PCIe x16
- 1 x mini PCIe, 1 x SIM slot
- 2 x GbE, 12 x COM
- 2 x USB 3.0, 8 x USB 2.0
- 2 x SATA 3.0, 1 x SATA 2.0



Specification

Specification

CPU	Support Intel LGA1150 socket <ul style="list-style-type: none">• Intel Pentium/ Celeron• Intel 4th Generation Core i3/ i5/ i7
Chipset	Intel® H81
Memory	2 x DDR3-1333/1600MHz, UDIMM, up to 16GB
BIOS	AMI UEFI BIOS

Video

Graphic Controller	Intel® HD Graphics
Video Memory	Shared Memory
Video Interface	2 x VGA

Storage

SATA	1 x SATA 2.0 Port + 2 x SATA 3.0 Ports
------	--

I/O

Expansion Slot	<ul style="list-style-type: none">• 1 x PCIe x16 slot• 1 x mini PCIe (PCIe + USB signal)
Ethernet	2 x GbE LAN
Ethernet Chip	2 x Realtek PCI-E NIC RTL8111F
Serial Port	<ul style="list-style-type: none">• COM1: RS232• COM2: RS232/RS485• COM3~10: RS232• COM11~12: RS232
USB	<ul style="list-style-type: none">• 6 x Header(USB2.0)• 2 x Rear I/O(USB2.0)• 2 x Rear I/O(USB3.0/USB2.0)
GPIO	8-bit Digital I/O
Audio	Realtek ALC662 5.1 Channel HDA Code 1 x MIC-in, 1 x Line out
Parallel Port	1 x Parallel Port
SIM	1 x SIM Card Slot
Keyboard	1 x PS/2 Header for Key Board/Mouse

Hardware Feature

WatchDog Timer	Software programmable from 1~255 seconds
----------------	--

Power Requirement

Power Input	1 x ATX 20-Pin + 12V 4-Pin power connector
Power Output	System Fan & CPU Fan connector

Software

OS Support	Window 7 (32bit/64bit), Windows 8.1(32bit/64 bit)
------------	--

Mechanical & Environment

Dimension	170mm x 170mm (6.69" x 6.69")
Weight	TBD
Operating Temp.	0~60°C
Storage Temp.	-20~ 70°C
Relative Humidity	5 to 90% , non-condensing
Safety	RoHS

Packing List

- AMB-IH81T1
- Quick User Guide
- Driver CD
- SATA Cable
- I/O Shielding

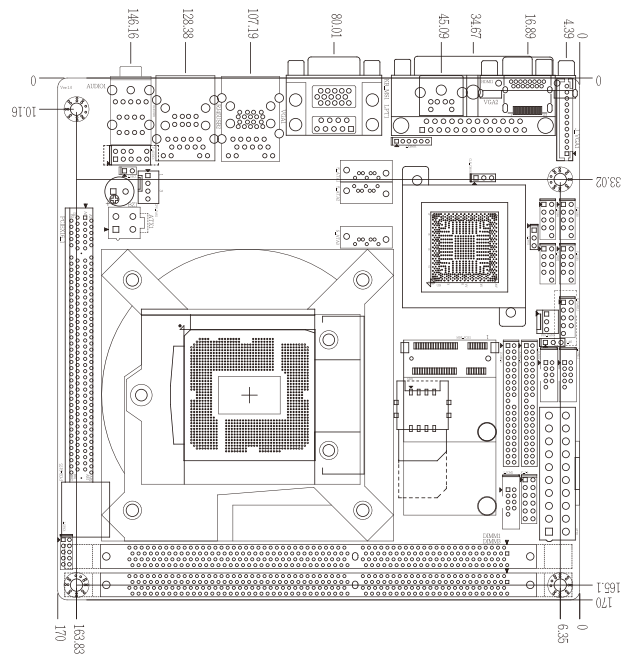
Ordering Information

AMB-IH81T1	Intel® H81 Chipset with Intel Pentium/ Celeron/ 4th Generation Core i3/5/7, 2 x GbE, 2 x COM, 8 x USB2.0, 2 x USB3.0, 1 x PCIe x16, 1 x Mini PCI-e,
------------	---

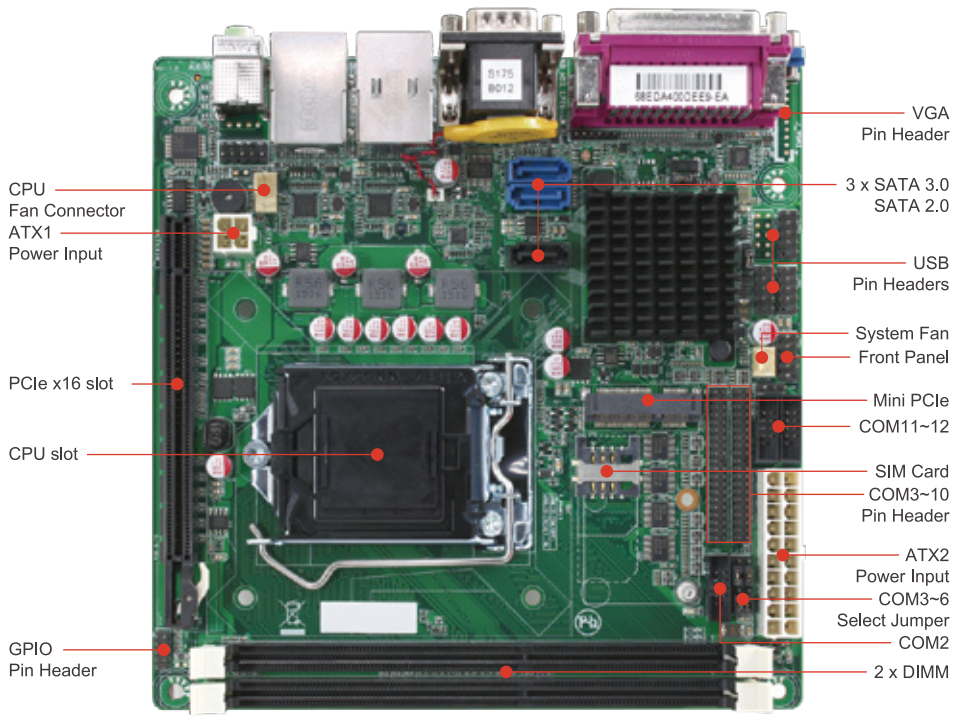
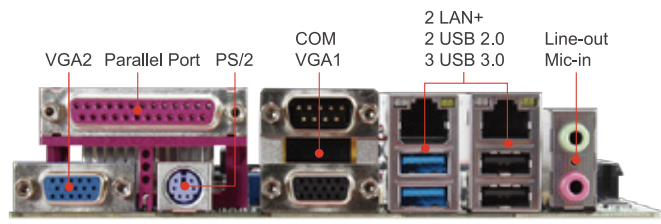
Optional Cable

- USB port cable (2.54mm)
- USB port cable (2.0mm)
- COM port cable
- Serial ATA data cable

Dimension

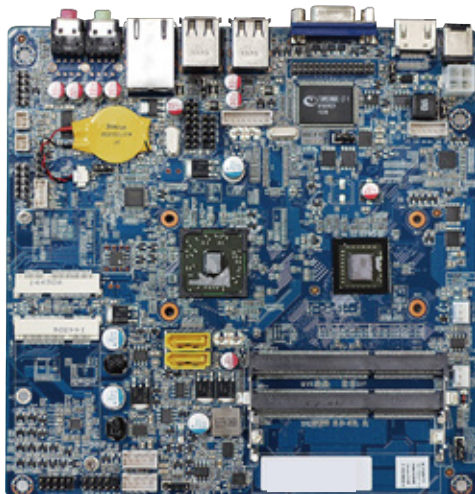


I/O Connectors



AMB-A55ET1

AMD Brazos Dual Core T56N APU
AMD Hudson-E1 A55E Fusion Control Hub



Features

- AMD Brazos Dual Core T56N APU
AMD Hudson-E1 A55E Fusion Control Hub
- 1 x VGA, 1x HDMI, 1 x LVDS
- 8 x USB2.0
- 2 x miniPCIe
- 1 x COM Header
- 1 x 4-Pin S/PDIF Header
- Support windows XP



Specification

System

CPU	AMD Dual Core T56N APU 1.65GHz, TDP 18W
Chipset	AMD Hudson E1 (A55E)
Graphics	AMD Radeon HD 6320 500MHz, Directx11 Supported
Memory	1 x SO-DIMM DDR3-1066/1333MHz up to 4G
BIOS	SPI 2MB Flash ROM Phoenix EFI BIOS, ACPI

Storage

SATA	2 x SATA II 3Gb/s Ports
------	-------------------------

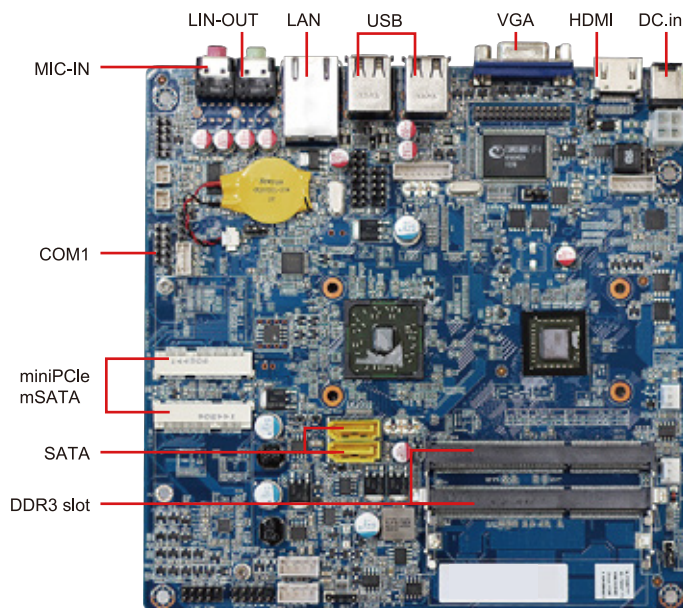
I/O

Rear Panel	2 x Audio Jacks (MIC In & Line Out) 1 x LAN (RJ45) 4 x USB2.0 1 x VGA 1 x HDMI 1 x LVDS 1 x DC-IN 12V 5A jack
Internal Connectors Headers	1 x 9-Pin Front Audio Header 1 x Front Panel Power Header 2 x Speaker Connectors (L&R) 1 x 4-Pin S/PDIF Header 2 x SATAII+2x Power HDD Connectors 2 x Mini PCIe slots (1x Full Height for mSATA/ USB; 1x Half for Mini PCIe/ USB) 1 x 6-Pin PS/2 Header 1 x COM Header 1 x GPIO Header 1 x SYS Fan+1x CPU Fan Connector 1 x 5V Stand-By Header 1 x 4-Pin ATX Power Connector 4 x USB2.0 Header
Parallel Port	1 x LVDS 1 x LPC header

Mechanical & Environment

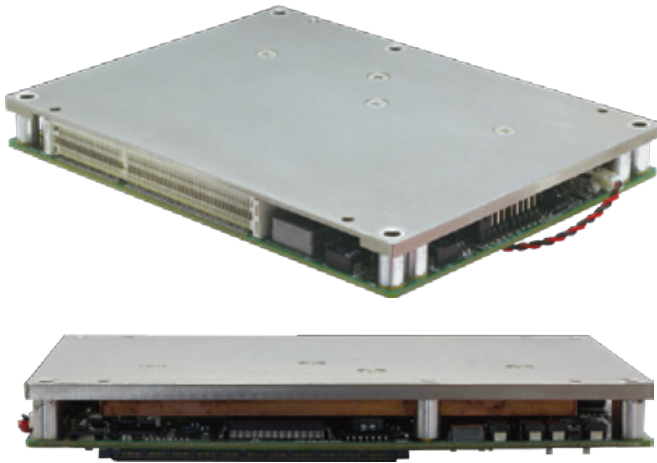
Dimension	170mm x 170mm
Form Factor	Mini-ITX,

I/O Connectors



AMB-HM76B1FL

COM Express Intel HM76 Basic Type 6 Module



Features

- Fanless COM Express Basic Type 6 Module
- The 3rd generation Intel Core platform + Intel HM76 Chipset
- Support Intel Core i7, i3, Celeron CPU
- 2 x DDR3L-1600MHz, SO-DIMM, up to 16GB



Specification

System

CPU	<ul style="list-style-type: none"> • Intel Core i7 3517UE (Dual Core, 1.7GHz, 4MB cache, TDP 17W) • Intel Core i3 3217UE (Dual Core, 1.6GHz, 3MB cache, TDP 17W) • Intel Core Celeron 1047UE (Dual Core, 1.4GHz, 2MB cache, TDP 17W)
Chipset	Intel HM76
Memory	2 x DDR3L-1600MHz, SO-DIMM, up to 16GB
BIOS	AMI 32Mbit SPI BIOS
WatchDog Timer	Software programmable 0~255 seconds

Video (Support by Carrier Board)

Graphic Controller	Intel HD / HD 4000
Video Interface	<ul style="list-style-type: none"> • 1 x Analog RGB Display Output Resolution up to 2048x1536 pixels with 32-bit@75Hz • 1 x HDMI Port Output Resolution up to 1920x1200@60Hz • 1 x Dual Channel LVDS Output • 3 x DisplayPort Output • 1 x SDVO/DisplayPort Output

Storage (Support by Carrier Board)

SATA	<ul style="list-style-type: none"> • 2 x SATA III with 6Gb/s • 2 x SATA II with 3Gb/s
------	---

I/O (Support by Carrier Board)

Ethernet Chip	Intel 82574L GbE LAN supports iAMT 8.0 and PXE Boot
Expansion Interface	<ul style="list-style-type: none"> • 1 x PCIe x16 Gen.3 • 6 x PCIe x1
Serial Interface	2 x COM port Interface (TX/RX only)
USB	4 x USB 3.0, 8 x USB 2.0
GPIO	8-bit Digital I/O, 4-bit DI and 4-bit DO
Audio Codec	Intel HD Audio Channel

Power Requirement

Power Input	<ul style="list-style-type: none"> • 1 x 24-pin ATX Power Connector • 1 x 4-pin ATX 12V Power Connector
Power Consumption	TBD

Software

OS Support	<ul style="list-style-type: none"> • Windows 7 32 / 64-bit • Linux 3.3 (Fedora 17) 32 / 64-bit • Linux 3.5 (Ubuntu 12.10) 32 / 64-bit
------------	--

Mechanical & Environment

Dimension	125 mm x 95 mm (4.92" x 3.74"), COM Express Basic
Operating Temp.	0~60°C (32~140°F)
Storage Temp.	-20~80°C (-4~176°F)
Relative Humidity	0 to 90%, non-condensing
Safety	CE, FCC class A

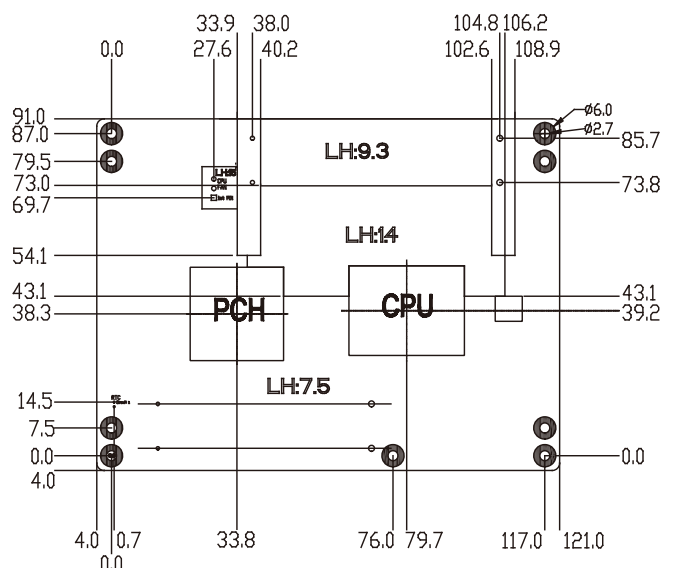
Packing List

- 1 x AMB-HM76B1FLi71/i31/CE1
- 1 x CD Title
- 1 x Quick Guide
- 5 x Screw For Carrier Board

Ordering Information

AMB-HM76B1FLi71	Intel HM76 with Core i7-3517UE COM Express Basic Type 6 Module
AMB-HM76B1FLi31	Intel HM76 with Core i3-3217UE COM Express Basic Type 6 Module
AMB-HM76B1FLCE1	Intel HM76 with Core Celeron 1047UE COM Express Basic Type 6 Module

Dimension



AMB-HM76B1

COM Express Intel HM76 Basic Type 6 Module



Features

- COM Express Basic Type 6 Module
- The 3rd generation Intel Core platform + Intel HM76 Chipset
- Intel Core i7/i3/Celeron CPU
- 2 x DDR3L-1600MHz, SO-DIMM, up to 16GB



Specification

System

CPU	<ul style="list-style-type: none"> • Intel Core i7 3517UE (Dual Core, 1.7GHz, 4MB cache, TDP 17W) • Intel Core i3 3217UE (Dual Core, 1.6GHz, 3MB cache, TDP 17W) • Intel Core Celeron 1047UE (Dual Core, 1.4GHz, 2MB cache, TDP 17W)
Chipset	Intel HM76
Memory	2 x DDR3L-1600MHz, SO-DIMM, up to 16GB
BIOS	AMI 32Mbit SPI BIOS
WatchDog Timer	Software programmable 0~255 seconds

Video (Support by Carrier Board)

Graphic Controller	Intel HD / HD 4000
Video Interface	<ul style="list-style-type: none"> • 1 x Analog RGB Display Output Resolution up to 2048x1536 pixels with 32-bit@75Hz • 1 x HDMI Port Output Resolution up to 1920x1200@60Hz • 1 x Dual Channel LVDS Output • 3 x DisplayPort Output • 1 x SDVO/DisplayPort Output

Storage (Support by Carrier Board)

SATA	<ul style="list-style-type: none"> • 2 x SATA III with 6Gb/s • 2 x SATA II with 3Gb/s
------	---

I/O (Support by Carrier Board)

Ethernet Chip	Intel 82574L GbE LAN supports iAMT 8.0 and PXE Boot
Expansion Interface	<ul style="list-style-type: none"> • 1 x PCIe x16 Gen.3 • 6 x PCIe x1
Serial Interface	2 x COM port Interface (TX/RX only)
USB	4 x USB 3.0, 8 x USB 2.0
GPIO	8-bit Digital I/O, 4-bit DI and 4-bit DO
Audio Codec	Intel HD Audio Channel

Power Requirement

Power Input	<ul style="list-style-type: none"> • 1 x 24-pin ATX Power Connector • 1 x 4-pin ATX 12V Power Connector
Power Consumption	TBD

Software

OS Support	<ul style="list-style-type: none"> • Windows 7 32 / 64-bit • Linux 3.3 (Fedora 17) 32 / 64-bit • Linux 3.5 (Ubuntu 12.10) 32 / 64-bit
------------	--

Mechanical & Environment

Dimension	125 mm x 95 mm (4.92" x 3.74"), COM Express Type 6 Module Board
Operating Temp.	0~60°C (32~140°F)
Storage Temp.	-20~80°C (-4~176°F)
Relative Humidity	0 to 90%, non-condensing
Safety	CE, FCC class A

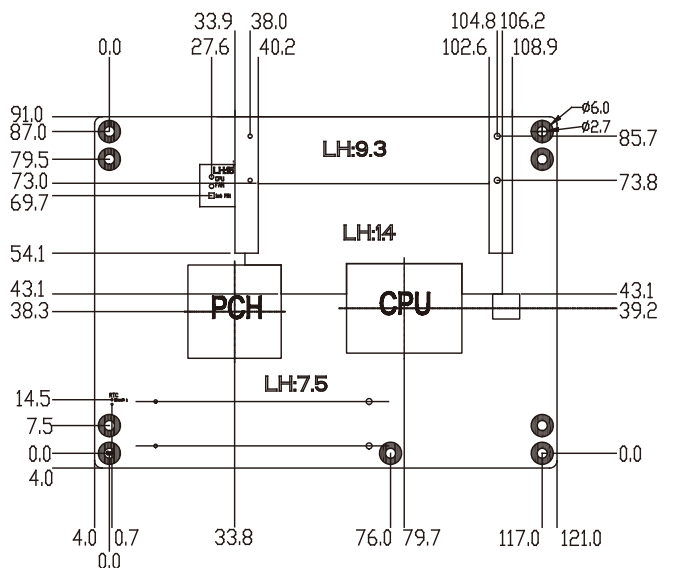
Packing List

- 1 x Quick Guide
- 1 x AMB-HM76B1 Module Board Set
- 1 x CD Title
- 5 x Screws For Carrier Board (only for system package)

Ordering Information

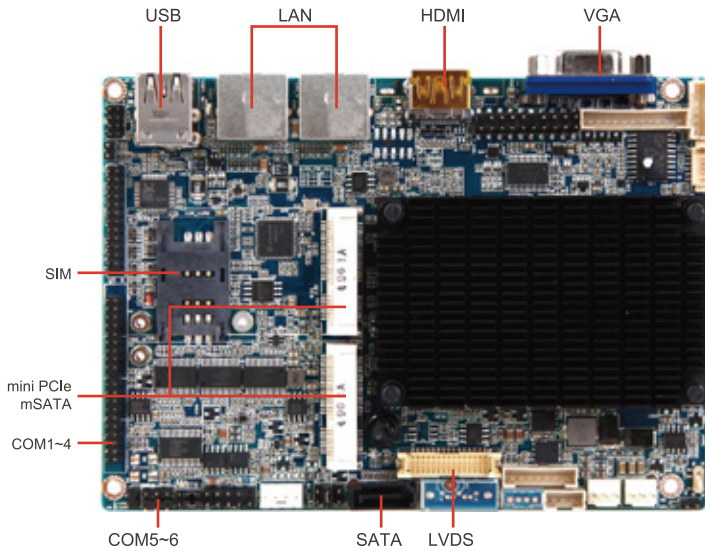
AMB-HM76B1i71	Intel HM76 with Core i7-3517UE COM Express Basic Type 6 Module
AMB-HM76B1i31	Intel HM76 with Core i3-3217UE COM Express Basic Type 6 Module
AMB-HM76B1CE1	Intel HM76 with Core Celeron 1047UE COM Express Basic Type 6 Module

Dimension



AMB-BT28S2

Intel® Celeron N2807 3.5" SBC



Features

- Intel Celeron N2807 (1M Cache, 2.16GHz)
- VGA/LVDS/DVI, Dual Display support,
- 2 x Intel GbE, 6 x COM
- 1x USB3.0, 5 x USB2.0
- 2 x miniPCIe, 1 x LPT
- 1 x SATA 3.0, 1 x mSATA



Specification

System

CPU	Intel® Celeron N2807, Dual core, 2.16GHz, TDP 4.3W
Memory	1 x So-DIMM DDR3L 1066/1333MHz DIMM socket, Support up to 4GB system memory
BIOS	AMI SPI BIOS
Cooler Module	Fanless heatsink

Video

Graphic Controller	Intel® HD Graphics
Video Interface	<ul style="list-style-type: none"> • 1 x VGA • 1 x LVDS • 1 x HDMI • support Dual display

Storage

SATA	<ul style="list-style-type: none"> • 2 x SATAIII • 1 x mSATAIII
------	---

I/O

Expansion Slot	2 x miniPCIe <ul style="list-style-type: none"> • Full length for mSATA • Half/Full length for PCIe/USB/3G
Ethernet	<ul style="list-style-type: none"> • 2 x RJ45 Gbe LAN
Ethernet Chip	<ul style="list-style-type: none"> • 2 x Intel I211 LAN
Serial Port	<ul style="list-style-type: none"> • 1 x RS232/422/485 header • 5 x RS232 header
Parallel Port	<ul style="list-style-type: none"> • 1 x LPT header
USB	<ul style="list-style-type: none"> • 1 x USB3.0 / 1 x USB 2.0 • 4 x USB 2.0 header
Audio	Realtek High Definition Audio Decoder(5.1) Digital audio via HDMI port
GPIO	8 bit Digital I/O
Keyboard	keyboard/mouse header

Power Requirement

Power Input	12V ~ 19V DC
Power Output	2 x FAN Power connector

Software

OS Support	Windows 7 (32 bit/64 bit), Windows 8.1 (32 bit/64 bit), Linux(by request)
------------	---

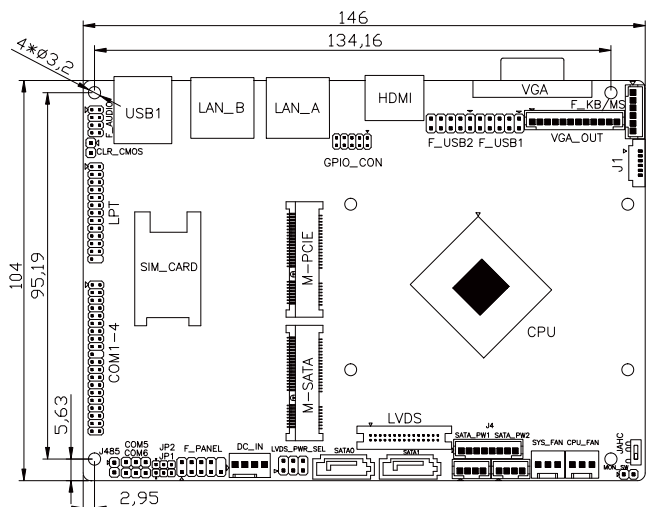
Mechanical & Environment

Dimension	3.5" 146 x 104 mm
Operating Temp.	60°C
Storage temp.	75°C
Safety	RoHS

Packing List

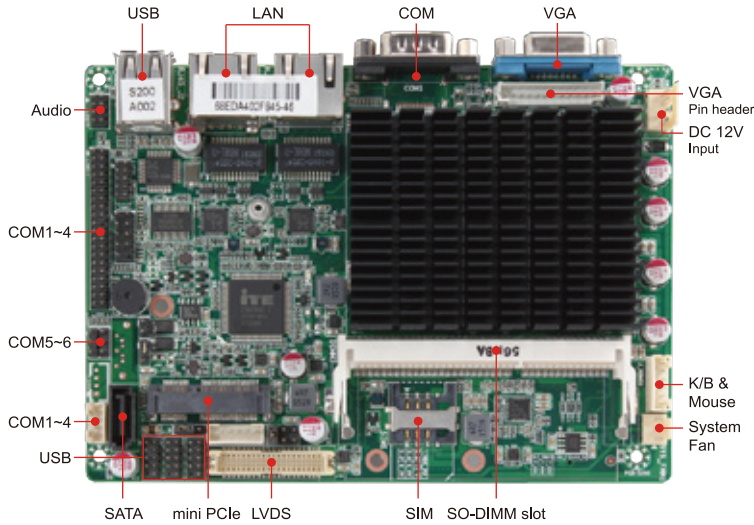
- 1 x AMB-BT28S2
- 1 x Quick User Guide
- 1 x Driver CD
- 1 x SATA Cable
- 1 x Power adaptor cable
- 1 x 1 to 4 COM cable

Dimension



AMB-BT19S1

Intel Bay Trail SoC, 1 x VGA, 1 x LVDS, 2 x GbE, 6 x COM, 7 x USB 2.0, 2 x mini PCIe, 1 x SATA II, 1 x mSATA



Features

- Intel Bay Trail SoC, low power consumption.
- 1 x DDR3L-1333MHz, SO-DIMM, up to 8GB
- 2 x USB 3.0, 6 x USB 2.0, 6 x COM
- 2 x GbE LAN, 2 x mini PCIe, 1 x SIM slot
- 1 x SATA II, 1 x mSATA
- 12V Input
- Fanless design



Specification

Specification

CPU	1. Intel® Celeron® J1800, Dual-Core, 1M Cache, 2GHz (2.41GHz), 10W(AMB-BT18S1)
	2. Intel® Celeron® J1900, Quad-Core, 2M Cache, 2GHz (2.41GHz), 10W(AMB-BT19S1)
	3. Intel® Atom™ E3815, Single-Core, 0.5M Cache, 1.46GHz, 5W (AMB-BT15S1)
	4. Intel® Atom™ E3845, Quad-Core, 2M Cache, 1.91GHz, 10W (AMB-BT45S1)
Chipset	Intel Bay Trail SoC
Memory	1 x DDR3L-1333MHz, SO-DIMM, up to 8GB (AMB-BT19S1)
BIOS	AMI UEFI BIOS

Video

Graphic Controller	Intel® HD Graphics
Video Memory	Shared Memory
Video Interface	<ul style="list-style-type: none"> • 2 x VGA (Resolution up to 2560 x 1600 @ 60Hz) • 1 x LVDS (24-Bit Dual channel LVDS, Resolution up to 1920x1200 @ 60Hz)

Storage

SATA	1 x SATA II Port + 1 x mSATA
------	------------------------------

I/O

Ethernet	2 x GbE LAN(Optional)
Expansion Slot	2 x mini PCIe
Ethernet Chip	2 x Realtek GbE LAN Chip
Serial Port	<ul style="list-style-type: none"> • COM1(DB9 connector) • COM6(RS232/485) • COM1~COM5 x RS232 2.0 pitch pin header
USB	<ul style="list-style-type: none"> • 2 x USB 2.0 port on rear I/O • 5 x USB 2.0 pin header
GPIO	8 bit Digital I/O
Audio	Realtek ALC888 5.1-channel High Definition Audio 1 x Line in, 1 x Line out
Keyboard	1 x PS/2 Header for Key Board/Mouse
SIM	1 x SIM slot

Power Requirement

Power Input	4-Pin power connector
Power Output	1 x System FAN 3-Pin Power connector

Software

OS Support	Windows 7 (32 bit/64 bit), Windows 8.1 (32 bit/64 bit) Linux (by request)
------------	--

Mechanical & Environment

Dimension	146 x 105 mm (5.7" x 4")
Operating Temp.	0~60°C
Storage Temp.	-20~75°C
Safety	RoHS

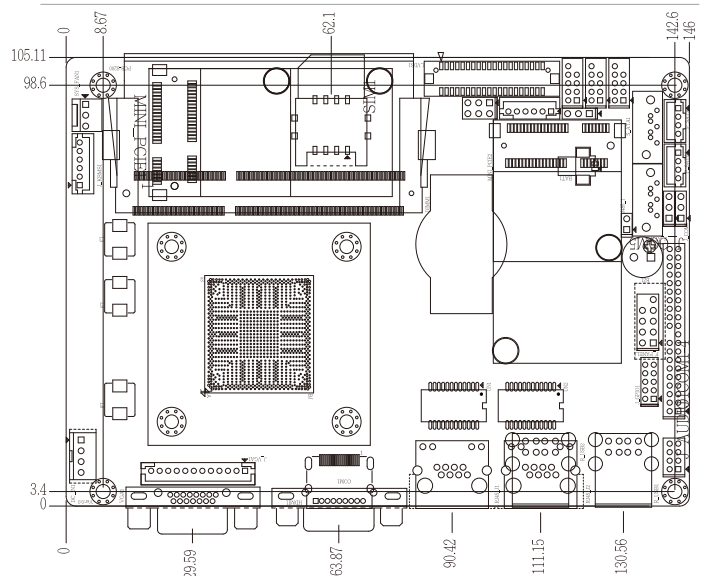
Packing List

- AMB-BT19S1
- Quick User Guide
- Driver CD
- SATA Cable

Ordering Information

AMB-BT18S1	Intel Celeron J1800, Dual Core, 1M cache, 2GHz (2.41GHz), 10W (2 x LAN, 6 x COM)
AMB-BT19S1	Intel Celeron J1900, Quad Core, 2M cache, 2GHz (2.41GHz), 10W (2 x LAN, 6 x COM)
AMB-BT15S1	Intel Atom E3815, Single Core, 0.5M cache, 1.46GHz, 5W (2 x LAN, 6 x COM)
AMB-BT45S1	Intel Atom E3845, Quad Core, 2M cache, 1.91GHz, 10W (2 x LAN, 6 x COM)

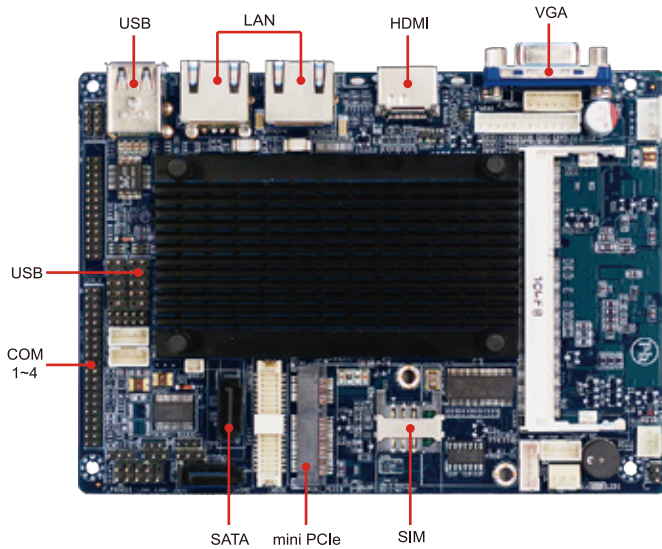
Dimension



Specifications are subject to change without notice.

AMB-N280S1

3.5" Intel N2800 SBC



Features

- Intel N2800 Processor with NM10 Chipset
- 1 x DDR3L-1066MHz, SO-DIMM, up to 4GB, non-ECC
- 6 x COM, 4 x USB 2.0, 1 x SATA II, 2 x mini PCIe, 2 x GbE
- mSATA Support



Specification

System

CPU	Intel Atom N2800 Dual Core 1.86GHz
Chipset	Intel NM10 PCH
Memory	1 x DDR3L-1066MHz, SO-DIMM, up to 4GB, non-ECC
BIOS	AMI
Hardware Monitoring	CPU voltage and temperature.
WatchDog Timer	Software programmable 1~255 sec.

Video

Graphic Controller	Intergrated Intel Graphics Media Accelerator 3650
Video Interface	<ul style="list-style-type: none"> • 1 x VGA (1 x DB15) • 1 x HDMI • 1 x 18-bit LVDS (1 x pin header)

Storage

SATA	1 x SATA II port
mSATA	1 x mSATA port (mini PCIe socket)

I/O

Ethernet	2 x GbE RJ45 with LED, RTL8111E
Expansion Slot	2 x mini PCIe socket
Serial Port	4 x RS-232(1 x 40-pin header) 1 x RS-232(1 x 3-pin header, only TX/RX) 1 x RS-232/485(1 x 3-pin header, only TX/RX)
USB	4 x USB 2.0 (4 x pin header)
GPIO	8-bit Digital I/O
Parallel Port	1 x LPT (1 x pin header)
Keyboard/Mouse	1 x JST 6-pin header
Audio	<ul style="list-style-type: none"> • Realtek ALC662 Audio Codec • MIC-in / Line-out (1 x pin header)

Power Requirement

Power Input	1 x 4-pin 2.54mm single 12V power input connector
-------------	---

Software

OS Support	Windows 7 32-bit, Fedora 14 32-bit
------------	------------------------------------

Mechanical & Environment

Dimension	146mm x 102mm (5.7" x 4")
Operating Temp.	0~55°C (32~131°F)
Storage Temp.	-20~80°C (-4~176°F)
Safety	CE, FCC compliant

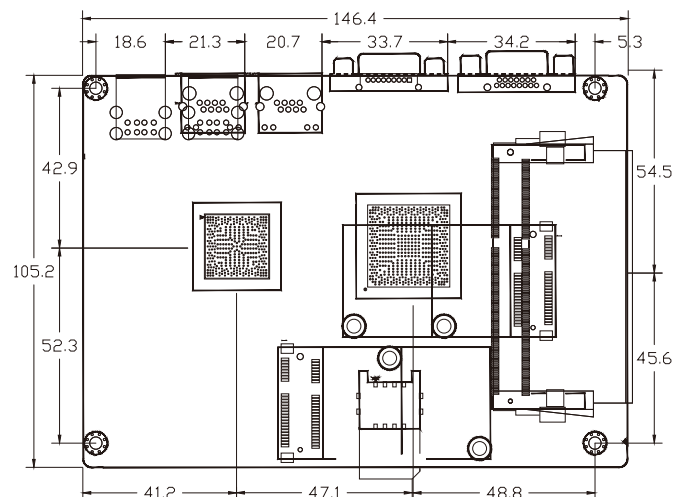
Packing List

- 1 x AMB-N280S1
- 1 x Driver CD
- 1 x Quick Guide
- 1 x SATA Power Cable
- 1 x SATA Cable
- 1 x DC Power Cable
- 1 x 4 in 1 COM Cable (4 x DB9)

Ordering Information

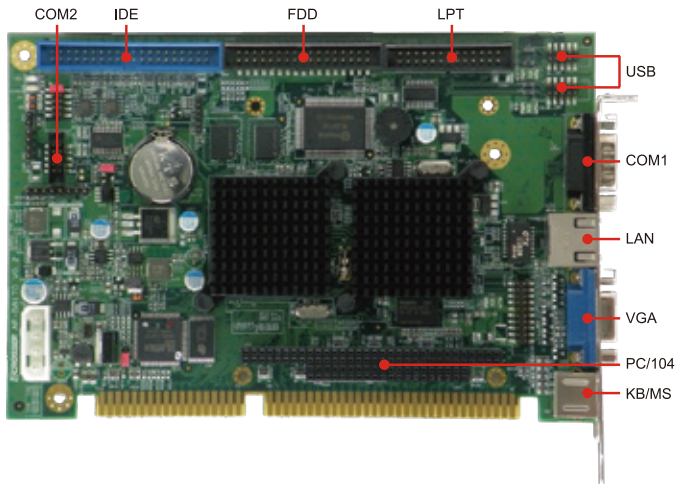
AMB-N280S1	3.5" SBC with Intel N2800, NM10, DDR3, GbE, SATA II, USB 2.0, COM
------------	---

Dimension



AR-B8170

Fanless ISA Bus DM&P Vortex86DX 800MHz SBC



Features

- Fanless Design
- Onboard DM&P Vortex86DX 800MHz
- Onboard 256MB DDR2 SDRAM 512KB SRAM
- PC/104 Interface
- 2 x COM, 4 x USB 2.0, VGA, 1 x 10/100 MB



Specification

System

CPU	Onboard DM&P Vortex86DX 800MHz
Memory	Onboard 256MB DDR2 SDRAM
BIOS	AMI
WatchDog Timer	Software programmable 1~255 sec.

Video

Graphic Controller	XGI Z9s
Video Memory	64MB
Video Interface	1 x VGA (DB15)

Storage

IDE	1 x IDE (40-pin) support Ultra DMA33/66/100
FDD	1 x Floppy disk drive 3.5"

I/O

Ethernet	1 x 100MB RJ45 with LED, DM&P Vortex86DX
Expansion Slot	1 x PC/104
Serial Port	<ul style="list-style-type: none"> • 1 x RS-232 (DB9) • 1 x RS-232/422/485 (Pin header)
USB	4 x USB 2.0 (4 x pin header)
GPIO	16-bit Digital I/O
Parallel Port	1 x LPT (1 x pin header)
Keyboard/Mouse	• 1 x PS/2

Power Requirement

Power Input	<ul style="list-style-type: none"> • AT : 12V single voltage input (default set as AT mode) • ATX : power switch pin header and pin head for external 5V stand-by input
-------------	---

Software

OS Support	Windows XP, Linux, DOS
------------	------------------------

Mechanical & Environment

Dimension	185mm x 122mm (7.29" x 4.81")
Operating Temp.	0 ~ 60°C (32 ~ 140°F)
Storage Temp.	-20 ~ 80°C (-4 ~ 176°F)
Relative Humidity	0 to 90% @ 40°C, non-condensing
Safety	CE, FCC compliant

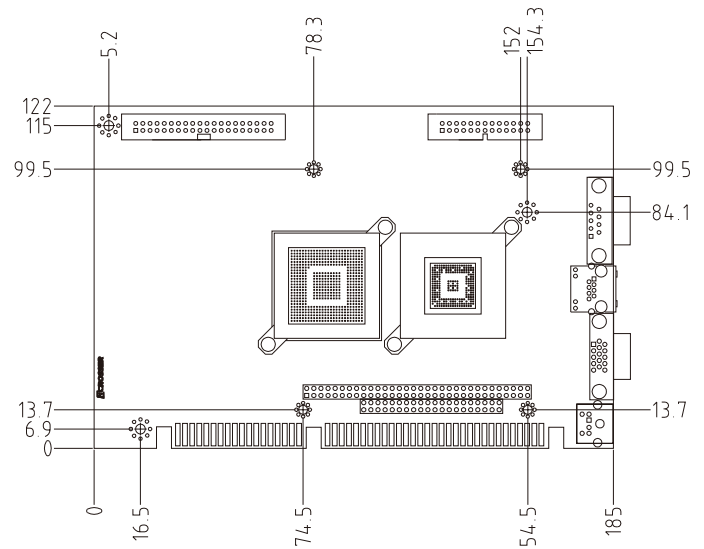
Packing List

- 1 x AR-B8170
- 1 x Quick user guide
- 1 x Driver CD

Ordering Information

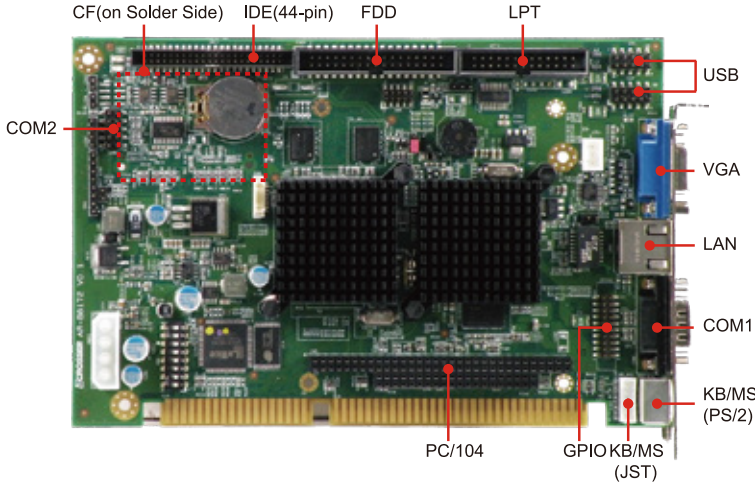
AR-B8170	1 x AR-B8170
Accessory	ACC-8170: <ul style="list-style-type: none"> • 1 x IDE cable (40-pin) • 1 x PS/2 keyboard and mouse cable • 1 x 2 ports USB cable with bracket • 1 x COM + LPT cable with bracket • 1 x FDD cable

Dimension



AR-B8172

Fanless ISA Bus DM&P Vortex86DX 800MHz SBC



Features

- Fanless Design
- Onboard DM&P Vortex86DX 800MHz
- Onboard 256MB DDR2 SDRAM
- IDE, CF
- PC/104 Interface
- 2 x COM, 4 x USB 2.0, VGA, 1 x 10/100 MB



Specification

System

CPU	Onboard DM&P Vortex86DX 800MHz
Memory	Onboard DDR2 256MB SDRAM
BIOS	AMI
WatchDog Timer	Software programmable 1~255 sec.

Video

Graphic Controller	XGI Z9s
Video Memory	64MB
Video Interface	1 x VGA (DB15)

Storage

IDE	1 x IDE (44-pin)
CF	1 x Compact Flash Type I/II socket
FDD	1 x Floppy disk drive 3.5"

I/O

Ethernet	1 x 100MB RJ45 with LED, DM&P Vortex86DX
Expansion Slot	1 x PC/104
Serial Port	<ul style="list-style-type: none"> • 1 x RS-232 (DB9) • 1 x RS-232/422/485 (Pin header)
USB	4 x USB 2.0 (4 x pin header)
GPIO	16-bit Digital I/O
Parallel Port	1 x LPT (1 x pin header)
Keyboard/Mouse	<ul style="list-style-type: none"> • 1 x PS/2 • 1 x JST

Power Requirement

Power Input	AT : 5V + 12V input
-------------	---------------------

Software

OS Support	Windows XP, DOS
------------	-----------------

Mechanical & Environment

Dimension	185mm x 122mm (7.29" x 4.81")
Operating Temp.	0~60°C (32~140°F)
Storage Temp.	-20~80°C (-4~176°F)
Relative Humidity	0 to 90% @40°C, non-condensing
Safety	CE, FCC compliant

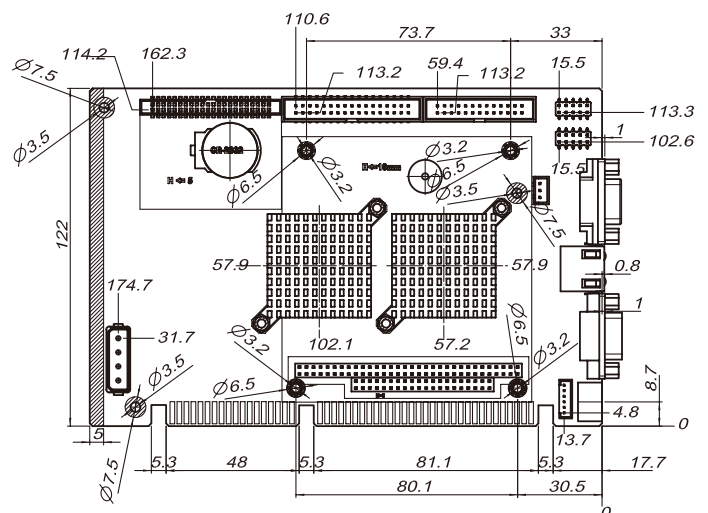
Packing List

- 1 x AR-B8172
- 1 x Quick user guide
- 1 x Driver CD

Ordering Information

AR-B8172	1 x AR-B8172
Accessory	ACC-8172: <ul style="list-style-type: none"> • 1 x IDE cable (44-pin) • 1 x PS/2 keyboard and mouse cable • 1 x 2 ports USB cable with bracket • 1 x COM + LPT cable with bracket • 1 x FDD cable

Dimension



Product Matrix

Embedded System



Form Factor		Fanless Embedded System
Model		AES-HM76Z1FL
Chipset		Intel HM76
CPU Type		Intel Core i7/ i3/ Celeron Processor
Memory	Type	2 x DDR3L-1333/1600MHz, SO-DIMM
	Installed / Max. Capacity	1GB / 16GB
Video	VGA	1
	DVI	2
	LVDS	-
	TV-Out	-
Ethernet		2 x GbE RJ45
Storage	IDE	-
	SATA	1 x SATA III
	Flash	1 x CF
I/O	Serial Port	2 x RS-232 2 x RS-422/485
	USB Port (ext/int)	3
	Expansion Slot	1 x mini PCIe
Operating Temp.		0~45°C (32~113°F)
Page		70

AES-HM76Z1FL

Fanless and Ultra Slim Intel HM76 Embedded System



Features

- Fanless and ultra slim design
- Support Intel Ivy Bridge CPU with HM76 chipset
- 2 x DDR3L-1600MHz, SO-DIMM, up to 16GB
- Support SATA III and CF storage
- HDMI/VGA/USB/Audio/GPIO output interface
- Serial ports by RS-232 and RS-422/485
- 2 x GbE, 1 x SIM, and 1 x mini PCIe(for 3G/WiFi)



CE FCC

Specification

System

CPU	Intel Core i7 3517UE 1.7GHz Intel Core i3 3217UE 1.6GHz Intel Celeron Processor 1047UE 1.4GHz Intel Celeron Processor 927UE 1.5GHz
Chipset	Intel HM76
Memory	2 x DDR3L-1600MHz, SO-DIMM, up to 16GB
BIOS	AMI
Hardware Monitoring	CPU voltage and temperature
WatchDog Timer	Software programmable 1~255 sec.

Video

Graphic Controller	Integrated within HM76
Video Interface	• 2 x HDMI (HDMI Type A connector) • 1 x VGA (Combo connector)

Ethernet

Ethernet	• 2 x GbE (RJ45 with LED) • Realtek RTL8111F
----------	---

Storage

SATA	1 x SATA III port with SATA power connector
CF	1 x Compact Flash Type II socket

I/O

Expansion	1 x mini PCIe socket(For 3.5G/WiFi)
SIM	1 x SIM slot (SIM card changeable without opening case)
USB	• 3 x USB 3.0 (USB 3.0 Type A connector) • 2 x USB 2.0 (1 for Mini PCIe / 1 for Combo connector)
Serial Port	• 2 x RS-232 (DB9 connector) • 2 x RS-422/485 (DB15 connector, shared with GPIO)
Audio	• 1 x Line-Out (Combo connector) • Realtek ALC662
GPIO	• 8 x GPI (DB15 connector, shared with RS-422/485) • 8 x GPO (DB15 connector, shared with RS-422/485)

Power Requirement

Power Input	60W Power Adaptor (DC Jack)
Power Requirement	12VDC Single Voltage Input

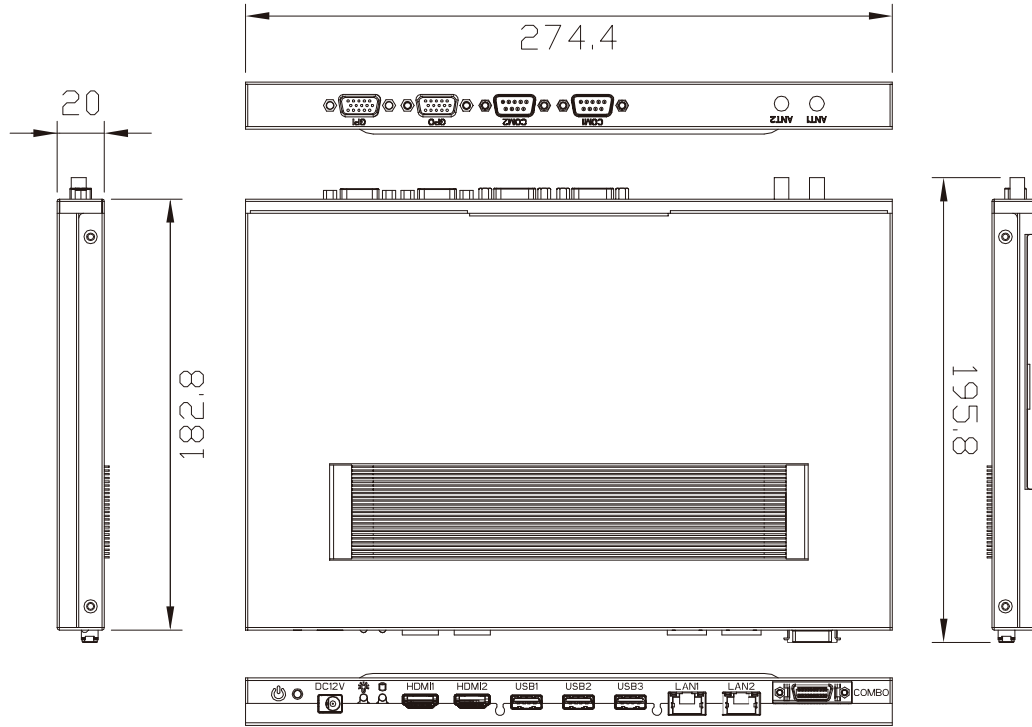
Software

OS Support	Windows 7 (32), Windows 7 Embedded (32bit), Fedora 17 (32/64bit), Ubuntu 12.10 (32/64bit)
------------	--

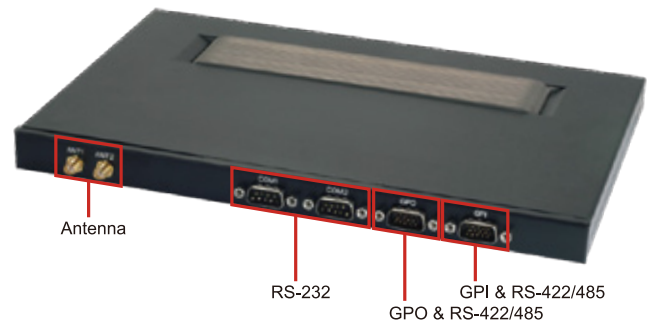
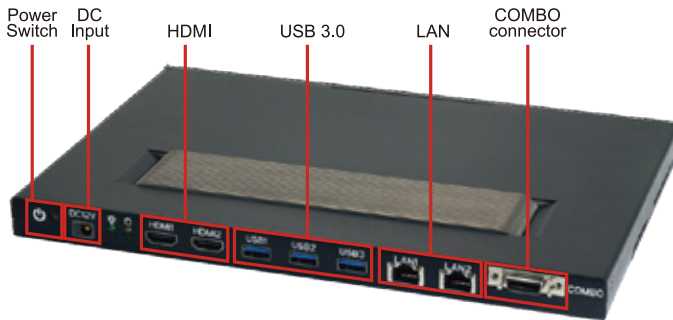
Mechanical & Environment

Thermal Design	Fanless (Heatsink)
Dimension	272 mm x 183 mm x 20 mm
Operating Temp.	0~45°C (32~113°F)
Storage temp.	-40~80°C (-40~176°F)
Relative Humidity	0~90%, non-condensing
Safety	CE, FCC class A

Dimension



I/O Connectors



Packing List

- 1 x AES-HM76Z1FL
- 1 x Quick Manual
- 1 x Utility CD
- 1 x Combo Cable
- 2 x GPIO Cable
- 1 x 60W Power Adapter
- 1 x Power Cord (Option for USA or Europe or Japan or UK)

Ordering Information

AES-HM76Z1FLi71	AES- HM76Z1FL with Intel Core i7 3517UE 1.7GHz
AES-HM76Z1FLi31	AES- HM76Z1FL with Intel Core i3 3217UE 1.6GHz
AES-HM76Z1FLCE1	AES- HM76Z1FL with Intel Celeron 1047UE 1.4GHz
AES-HM76Z1FLCE2	AES- HM76Z1FL with Intel Celeron 927UE 1.5GHz

Optional Modules

WiFi Module Kit	WiFi module, RF cable, Antenna
3.5G Module Kit	3.5G module, RF cable, Antenna

Table of Contents

Panel PC

CPU	LCD Size	Feature	Casing	Model Name	Page
Intel Atom N2600	7"	Industrial Panel PC	Aluminum Front / Metal Chassis	AR-PA707(P)FL	68
Intel Atom N2600	8"	Industrial Panel PC	Aluminum Front / Metal Chassis	AR-PA708(P)FL	68
Intel Atom N2600	10"	Industrial Panel PC	Aluminum Front / Metal Chassis	AR-PA710(P)FL	68
Intel Atom N2600	12"	Industrial Panel PC	Aluminum Front / Metal Chassis	AR-PA712(P)FL	70
Intel Atom N2600	15"	Industrial Panel PC	Aluminum Front / Metal Chassis	AR-PA715(P)FL	70
Intel Atom N2600	17"	Industrial Panel PC	Aluminum Front / Metal Chassis	AR-PA717(P)FL	72
Intel Atom N2600	21"	Industrial Panel PC	Aluminum Front / Metal Chassis	AR-PA721(P)FL	72
Intel Atom Celeron N2930	7"	Industrial Panel PC	Aluminum Front / Metal Chassis	AR-PA807(P)FL	74
Intel Atom Celeron N2930	8"	Industrial Panel PC	Aluminum Front / Metal Chassis	AR-PA808(P)FL	76
Intel Atom Celeron N2930	10"	Industrial Panel PC	Aluminum Front / Metal Chassis	AR-PA810(P)FL	76
Intel Atom Celeron N2930	12"	Industrial Panel PC	Aluminum Front / Metal Chassis	AR-PA812(P)FL	78
Intel Atom Celeron N2930	15"	Industrial Panel PC	Aluminum Front / Metal Chassis	AR-PA815(P)FL	78
Intel Atom Celeron N2930	17"	Industrial Panel PC	Aluminum Front / Metal Chassis	AR-PA817(P)FL	80
Intel Atom Celeron N2930	21"	Industrial Panel PC	Aluminum Front / Metal Chassis	AR-PA821(P)FL	82
	8"	Industrial Touch Display	Plastic	AR-DP080-12T	82
	10"	Industrial Touch Display	Plastic Front / Metal Chassis	AR-DP100-12T	82
	12"	Industrial Touch Display	Plastic Front / Metal Chassis	AR-DP120-12T	82
	15"	Industrial Touch Display	Metal	AR-DP150-AT	84
	15"	Projected Industrial Touch Display	Aluminum Front / Metal Chassis	AR-DP150-PDT	84
	19"	Projected Industrial Touch Display	Aluminum Front / Metal Chassis	AR-DP190-PDT	84

AR-PA7XXFL-N2600

Features

- Variety of LCD Panel Size Selections
- Flat Front Panel with IP65 Design
- Solid Aluminum Die-casting Chassis
- Intel Atom N2600 processor, Dual Core Low Power Fanless System



Specification

Model Name	AR-PA707(P)FL-N2600	AR-PA708(P)FL-N2600	AR-PA710(P)FL-N2600
System			
CPU	Intel Atom N2600 processor, Dual Core Low Power Fanless System		
System Chipset	Intel NM10		
System Memory	Onboard 2GB DDR3-800MHz		
Display			
Display Type	7" TFT-LCD	8" TFT-LCD	10.1" TFT-LCD
Max. Resolution	800 x 480	800 x 600	1280 x 800
Max. Color	262 K	262 K	262 K
Luminance (cd/m ²)	350	350	350
View angle(H°/V°)	H:140° / V:110°	H:140° / V:125°	H:160° / V:160°
Backlight Lifetime	40,000(hrs)	40,000(hrs)	40,000(hrs)
Touch screen			
Type	Resistive Touch / Projected Capacitive Touch (for P model)		
Interface	RS-232(Resistive Touch Window) / USB (Projected Capacitive Touch)		
Light Transmission(%)	Resistive touch window : 80% / Projected Capacitive Touch : 90%		
Storage			
HDD	1 x 1.8" SATA2 half size(MO-297)		1 x 2.5" SATA2
Movable device	1 x Internal SD slot		1 x Internal SD slot
I/O Port			
USB	2 x USB 2.0 type A, USB4/5		
Serial/Parallel	1 x RS-232/422/485 DB-9, COM1, Default RS-232 / 1 x RS-232 DB-9, COM2		
Audio	1 x Line out phone jack		
LAN	2 x GbE RJ-45		
Power	3 pins terminal block connector, DC Power input		
Expansion			
On board expansion bus	1 x Internal mini PCIe half size		
Power Requirement			
Power Input	9~36V DC		
Power Consumption	Max:12.8W Max:13.0W(P)	Max:15.2W	Max: 11W
Software			
OS Support	Windows XP pro / Embedded / CE6.0 / Windows 7 pro for Embedded / Windows Embedded standard 7 (Win 7 support 3D Graphic function)		
Mechanical			
Construction	Sliver aluminum front bezel and chassis		
IP Rating	IP65 front panel		
Mounting	Panel mounting, VESA 75 x 75	Panel mounting, VESA 75 x 75	Panel mounting, VESA 100 x 100
Dimension (mm)	202 x 149 x 40	231 x 176 x 50	285 x 189 x 48.9
Net Weight (Kgs)	1.2 kg	1.8 kg	2.1 kg

Environmental

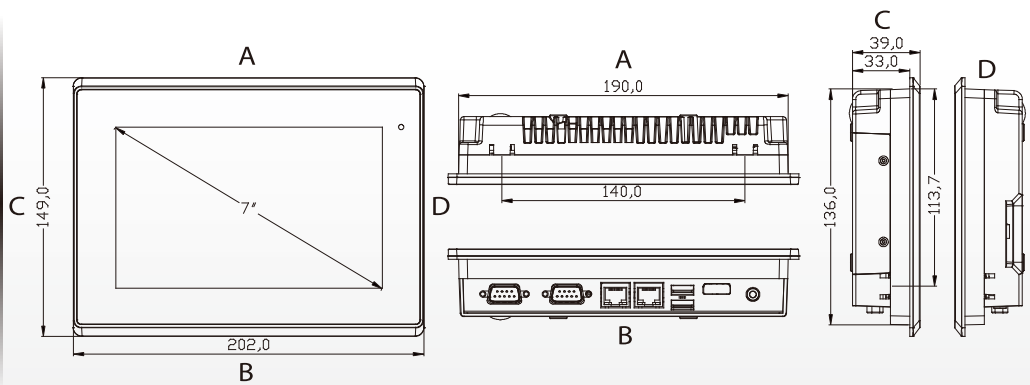
Operating temperature(°C)	0~50°C (option)
Storage temperature(°C)	-20~60°C
Storage humidity	10 to 90% @ 40°C, non- condensing
Certification	CE / FCC Class A

Ordering Information

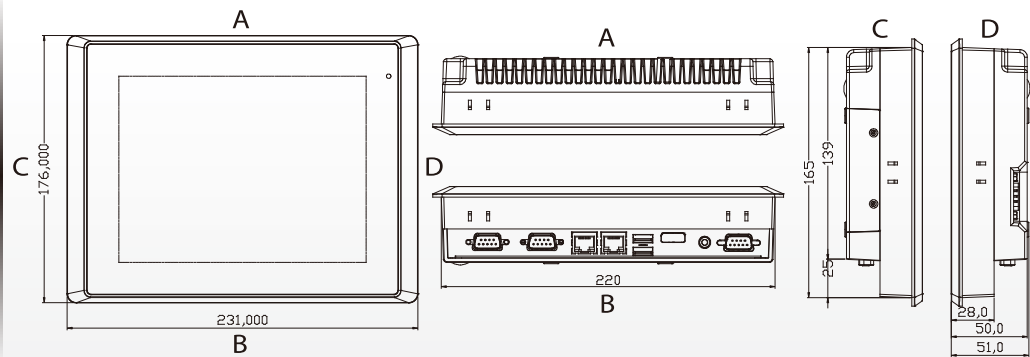
AR-PA707(P)FL	7" WVGA 800 x 480 fanless HMI With Atom N2600 1.6 GHz CPU, 2GB DDR3 memory, touch window resistive touch screen / projected capacitive touch screen, 9~36VDC input with adapter, Aluminum chassis.
AR-PA708(P)FL	8" SVGA 800 x 600 fanless HMI With Atom N2600 1.6 GHz CPU, 2GB DDR3 memory, touch window resistive touch screen / projected capacitive touch screen, 9~36VDC input with adapter, Aluminum chassis.
AR-PA710(P)FL	10.1" WVGA 1280 x 800 fanless HMI With Atom N2600 1.6 GHz CPU, 2GB DDR3 memory, touch window resistive touch screen / projected capacitive touch screen, 9~36VDC input with adapter, Aluminum chassis.

Dimension

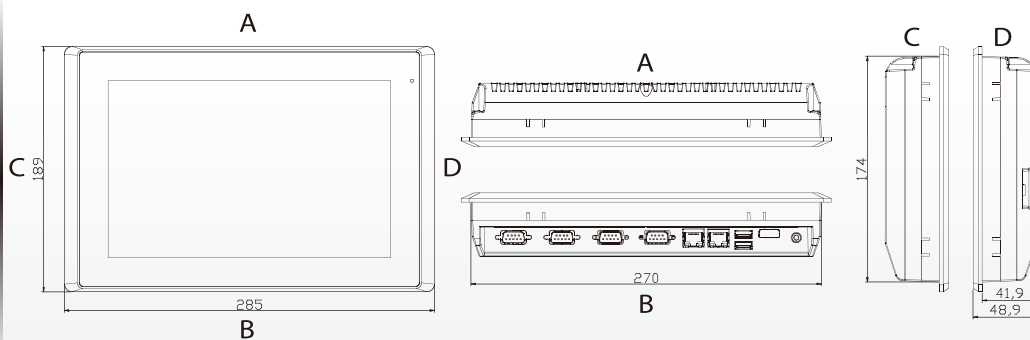
AR-PA707(P)FL



AR-PA708(P)FL



AR-PA710(P)FL



AMB-IH81T1

Intel® H81 Chipset with Intel Pentium/ Celeron/ 4th Generation Core i3/5/7,
2 x GbE, 2 x COM, 8 x USB2.0, 2 x USB3.0, 1 x PCIe x16, 1 x mini PCIe,



Features

- Support Intel 4th Gen Pentium/ Celeron/ Core i3/ i5/ i7 CPU
- 2 x DDR3L-1333/1600MHz, UDIMM, up to 16GB
- 1 x PCIe x16
- 1 x mini PCIe, 1 x SIM slot
- 2 x GbE, 12 x COM
- 2 x USB 3.0, 8 x USB 2.0
- 2 x SATA 3.0, 1 x SATA 2.0



Specification

Specification

CPU	Support Intel LGA1150 socket <ul style="list-style-type: none">• Intel Pentium/ Celeron• Intel 4th Generation Core i3/ i5/ i7
Chipset	Intel® H81
Memory	2 x DDR3-1333/1600MHz, UDIMM, up to 16GB
BIOS	AMI UEFI BIOS

Video

Graphic Controller	Intel® HD Graphics
Video Memory	Shared Memory
Video Interface	2 x VGA

Storage

SATA	1 x SATA 2.0 Port + 2 x SATA 3.0 Ports
------	--

I/O

Expansion Slot	<ul style="list-style-type: none">• 1 x PCIe x16 slot• 1 x mini PCIe (PCIe + USB signal)
Ethernet	2 x GbE LAN
Ethernet Chip	2 x Realtek PCI-E NIC RTL8111F
Serial Port	<ul style="list-style-type: none">• COM1: RS232• COM2: RS232/RS485• COM3~10: RS232• COM11~12: RS232
USB	<ul style="list-style-type: none">• 6 x Header(USB2.0)• 2 x Rear I/O(USB2.0)• 2 x Rear I/O(USB3.0/USB2.0)
GPIO	8-bit Digital I/O
Audio	Realtek ALC662 5.1 Channel HDA Code 1 x MIC-in, 1 x Line out
Parallel Port	1 x Parallel Port
SIM	1 x SIM Card Slot
Keyboard	1 x PS/2 Header for Key Board/Mouse

Hardware Feature

WatchDog Timer	Software programmable from 1~255 seconds
----------------	--

Power Requirement

Power Input	1 x ATX 20-Pin + 12V 4-Pin power connector
Power Output	System Fan & CPU Fan connector

Software

OS Support	Window 7 (32bit/64bit), Windows 8.1(32bit/64 bit)
------------	--

Mechanical & Environment

Dimension	170mm x 170mm (6.69" x 6.69")
Weight	TBD
Operating Temp.	0~60°C
Storage Temp.	-20~ 70°C
Relative Humidity	5 to 90% , non-condensing
Safety	RoHS

Packing List

- AMB-IH81T1
- Quick User Guide
- Driver CD
- SATA Cable
- I/O Shielding

Ordering Information

AMB-IH81T1	Intel® H81 Chipset with Intel Pentium/ Celeron/ 4th Generation Core i3/5/7, 2 x GbE, 2 x COM, 8 x USB2.0, 2 x USB3.0, 1 x PCIe x16, 1 x Mini PCI-e,
------------	---

Optional Cable

- USB port cable (2.54mm)
- USB port cable (2.0mm)
- COM port cable
- Serial ATA data cable

AR-PA7XXFL-N2600

Features

- Variety of LCD Panel Size Selections
- Flat Front Panel with IP65 Design
- Solid Aluminum Die-casting Chassis
- Intel Atom N2600 processor, Dual Core Low Power Fanless System



Specification

Model Name	AR-PA712(P)FL-N2600	AR-PA715(P)FL-N2600
System		
CPU	Intel Atom N2600 processor, Dual Core Low Power Fanless System	
System Chipset	Intel NM10	
System Memory	Onboard 2GB DDR3-800MHz	
Display		
Display Type	12.1" TFT-LCD	15" TFT-LCD
Max. Resolution	800 x 600	1024 x 768
Max. Color	262 K	262 K
Luminance (cd/m ²)	450	300
View angle(H°/V°)	H:160° / V:140°	H:160° / V:145°
Backlight Lifetime	50,000(hrs)	50,000(hrs)
Touch screen		
Type	Resistive Touch Window / Projected Capacitive Touch (for P model)	
Interface	RS-232(Resistive Touch Window) / USB (Projected Capacitive Touch)	
Light Transmission(%)	Resistive touch window : 80% / Projected Capacitive Touch : 90%	
Storage		
HDD	1 x 2.5" SATA2	
Movable device	1 x Internal SD slot	
I/O Port		
USB	2 x USB 2.0 type A, USB4/5	
Serial/Parallel	1 x RS-232/422/485 DB-9, COM1, Default RS-232 / 1 x RS-232 DB-9, COM2	
Audio	1 x Line out phone jack	
LAN	2 x GbE RJ-45	
Power	3 pins terminal block connector, DC Power input	
Expansion		
On board expansion bus	1 x Internal mini PCIe half size	
Power Requirement		
Power Input	9~36V DC	
Power Consumption	Max:18W	Max:19.2W
Software		
OS Support	Windows XP pro / Embedded / CE6.0 / Windows 7 pro for Embedded / Windows Embedded standard 7 (Win 7 support 3D Graphic function)	
Mechanical		
Construction	Aluminum Die-casting Front Bezel and Chassis	
IP Rating	IP65 Compliant Front Bezel	
Mounting	Panel mounting, VESA 100 x 100	
Dimension (mm)	319 x 245 x 51.7	410 x 310 x 54.7
Net Weight (Kgs)	2.5 kg	4.4 kg

Specifications are subject to change without notice.

Environmental

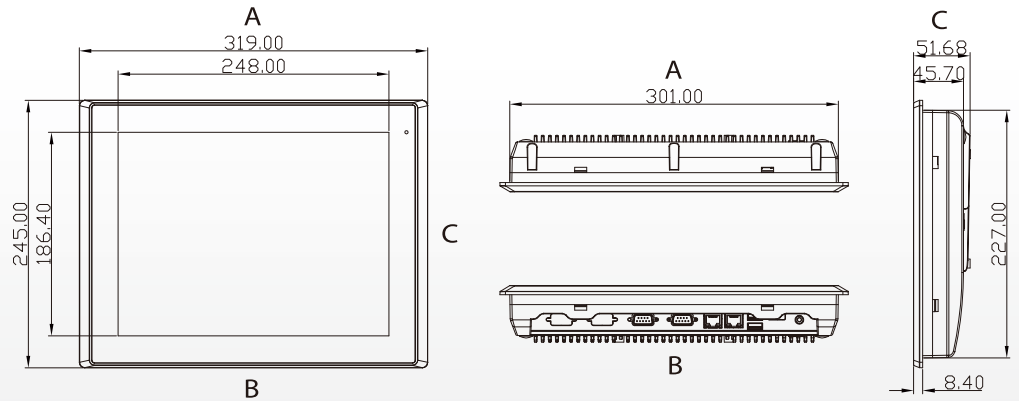
Operating temperature(°C)	0~50°C (option)
Storage temperature(°C)	-20~60°C
Storage humidity	10 to 90% @ 40°C, non- condensing
Certification	CE / FCC Class A

Ordering Information

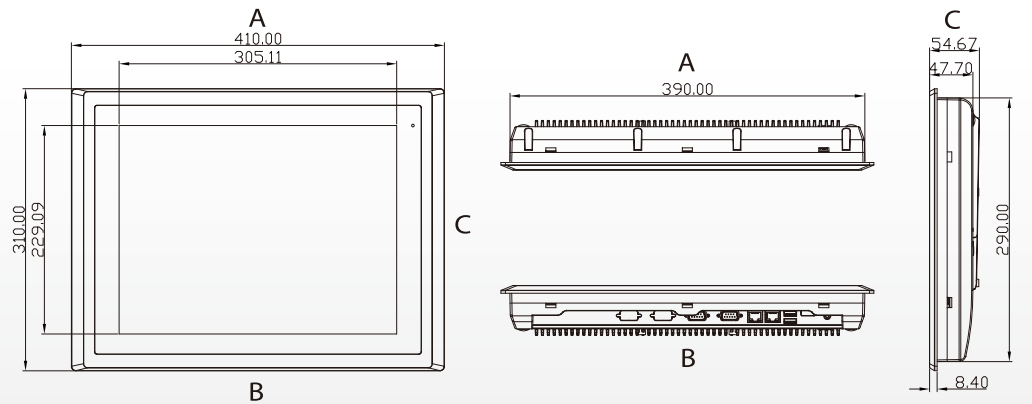
AR-PA712(P)FL	12.1" WVGA 800 x 600 fanless HMI With Atom N2600 1.6 GHz CPU, 2GB DDR3 memory, touch window resistive touch screen / projected capacitive touch screen, 9~36VDC input with adapter, Aluminum chassis.
AR-PA715(P)FL	15" SVGA 1024 x 768 fanless HMI With Atom N2600 1.6 GHz CPU, 2GB DDR3 memory, touch window resistive touch screen / projected capacitive touch screen, 9~36VDC input with adapter, Aluminum chassis.

Dimension

AR-PA712(P)FL



AR-PA715(P)FL



AR-PA717(P)FL-N2600

Features

- 17" Industrial Compact Size Panel PC
- Flat front panel touch screen
- Fanless design
- Intel Atom N2600 1.86GHz CPU built-in
- Onboard 2GB DDR3-800MHz
- 9~36VDC wide-ranging power input
- IP65 compliant front panel
- Optional projected capacitive touchscreen support 7H anti-scratch surface



Specification

Model Name	AR-PA717(P)FL-N2600	AR-PA721(P)FL-N2600
System		
CPU	Intel Atom N2600 processor, Dual Core Low Power Fanless System	
System Chipset	Intel NM10	
System Memory	Onboard 2GB DDR3-800MHz	
Display		
Display Type	17" TFT-LCD	21.5" TFT-LCD
Max. Resolution	1280 x 1024	1920 x 1080
Max. Color	16.2M	16.7 M
Luminance (cd/m ²)	350	250
Contrast Ratio	1000 : 1	3000 : 1
View angle(H°/V°)	H:160° / V:170°	H:178° / V:178°
Backlight Lifetime	30,000 (hrs)	30,000(hrs)
Touch screen - Resistive Touch Screen / Projected Capacitive Touch Screen		
Type	Resistive Touch Window / Projected Capacitive Touch (for P model)	
Interface	USB	
Light Transmission(%)	Resistive touch window : 80% / Projected Capacitive Touch : 90%	
Storage		
HDD	1 x 2.5" SATA HDD bay for SATA HDD (Easy Accessible)	
Movable device	1 x SD card slot, up to 32GB	
I/O Port		
USB	2 x USB 2.0 type A	
Serial / Parallel	1 x RS-232 DB-9 1 x DB-9 RS-232/422/485 (Default RS-232)	
Audio	1 x Audio Line Out	
LAN	2 x GbE RJ-45	
Power	1 x 3-pin Terminal Block connector 1 x 2-pin power switch connector	
LED light	1 x Power LED Light	
Option	2 x RS-232 DB-9 + 1 x mini PCIe slot via TB-528C2ME1 2 x CAN bus via TB-528CAN2 2 x USB 2.0 type A + 1 x mini PCIe slot + 1xRS-232 DB-9 via TB-528C1U2P1 2 x USB 2.0 type A + via TB-528U2	
Power Requirement		
Power Input	9~36V DC	
Power Consumption	Max:34.7 W	AR-PA721 Max:30.0 W / Max:38.8 W(P)
Software		
OS Support	Windows XP pro / Embedded / CE6.0 / Windows 7 pro for Embedded / Windows Embedded standard 7	

Expansion

Expansion slot 1 x Internal mini PCIe half size

Mechanical

Chassis Color RAL9007

Front Bezel Front Bezel Design

Front Bezel Metal Aluminum / Panel Mounting

Rear Panel Metal Aluminum / VESA 100

IP Rating IP65 compliant front panel Bezel

Mounting Panel Mounting VESA 100 x 100

Dimension (mm) 439 x 348 x 64.8 mm | 557 x 362 x 64.8 mm

Net Weight (KG) 5.1 Kg | 7.8 Kg

Environmental

Operating temperature(°C) 0~50°C (option)

Storage temperature(°C) -20~60°C

Storage humidity 10 to 90% @ 40°C, non-condensing

Certification CE / FCC Class A, CB, UL

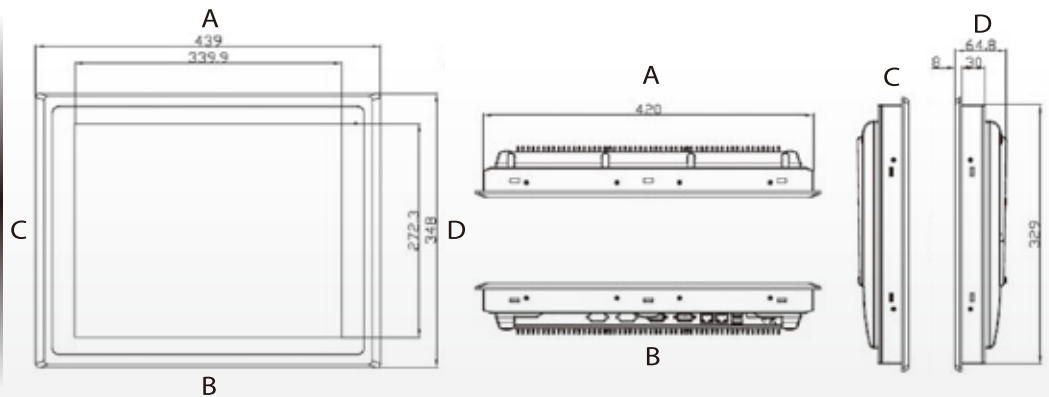
Ordering Information

AR-PA717(P)FL 17" SXGA 1280 x 1024 fanless HMI With Atom N2600 1.6 GHz CPU, 2GB DDR3 memory, touch window resistive touch screen / projected capacitive touch screen, 9~36VDC input with adapter, Aluminum chassis.

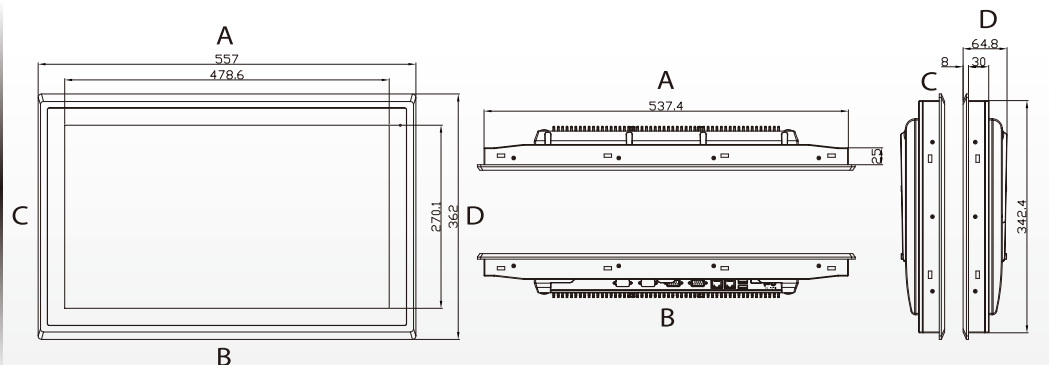
AR-PA721(P)FL 21.5" FHD 1280 x 1024 fanless HMI With Atom N2600 1.6 GHz CPU, 2GB DDR3 memory, touch window resistive touch screen / projected capacitive touch screen, 9~36VDC input with adapter, Aluminum chassis.

Dimension

AR-PA717(P)FL



AR-PA721(P)FL



AR-PA8XXFL-N2930

Features

- 7"/8"/10.1"/12.1"/15" Industrial Compact Size Panel PC
- Flat front panel touch screen
- Fanless design
- Intel Bay Trail N2930(1.83GHz) CPU for option
- Onboard 4GB DDR3L-1600MHz / 4GB(option)
- 9~36VDC wide-ranging power input
- IP65 compliant front panel
- Optional projected capacitive touchscreen support 7H anti-scratch surface



Specification

Model Name	AR-PA807(P)FL-N2930	AR-PA808(P)FL-N2930
System		
CPU	Onboard Intel Bay Trail N2930(1.83GHz) Processor for option	
System Chipset	Intel Bay Trail SoC	
System Memory	Onboard 4GB DDR3L-1600MHz / 4GB(option)	
Display		
Display Type	7"	8"
Max. Resolution	800 x 480	800 x 600
Max. Color	262 K	262 K
Luminance (cd/m ²)	350	350
Contrast Ratio	400 : 1	500 : 1
View angle(H°/V°)	H:140° / V:110°	H:140° / V:125°
Backlight Lifetime	40,000(hrs)	40,000(hrs)
Touch screen - Resistive Touch Window Type		
Type	Resistive Touch Windows	
Interface	USB	
Light Transmission	Resistive Touch Windows: 80%	
Touch screen - Projected Capacitive Type		
Type	Projected Capacitive Touch(For P Model)	
Interface	USB	
Light Transmission	Projected Capacitive Touch: 90%	
I/O Port		
USB	1 x USB 2.0 type A + 1 x USB 3.0 type A	
Serial/Parallel	1 x RS-232 DB-9(COM2) + 1 x DB-9 RS-232/422/485 (Default RS-232)(COM1)	
Audio/HDMI	1 x Audio Line Out / 1 x HDMI Port (reserved, no printing)	
LAN	2 x GbE LAN RJ-45	
Power	1 x 3-pin Terminal Block DC Power input + 1 x 2-pin connector for power on/off button	
Storage		
HDD	1 x SATA MO-297 SSD bay (Easy Accessible)	
Movable device	1 x SD card slot, up to 32GB	
Expansion		
On board expansion bus	1 x Internal mini PCIe slot (full size)	
Power Requirement		
Power Input	9~36V DC	
Power Consumption	Max:14.1W / 13.7W(P)	Max:10.8W / 13.9W(P)
Software		
OS Support	Windows Embedded Compact 7, Windows Embedded Standard 7, Windows Embedded 8 Standard, Windows Embedded 8.1 Industry Windows 10 IoT Enterprise 2015 LTS13	

Mechanical

Color	RAL 9007	
Construction	Aluminum Die-casting Front Bezel and Chassis	
Mounting	Panel Mounting, VESA 75 x 75	
Dimension (mm)	202 x 149 x 40	231 x 176 x 50
Net Weight (KG)	1.2 Kg	1.9 Kg

Environmental

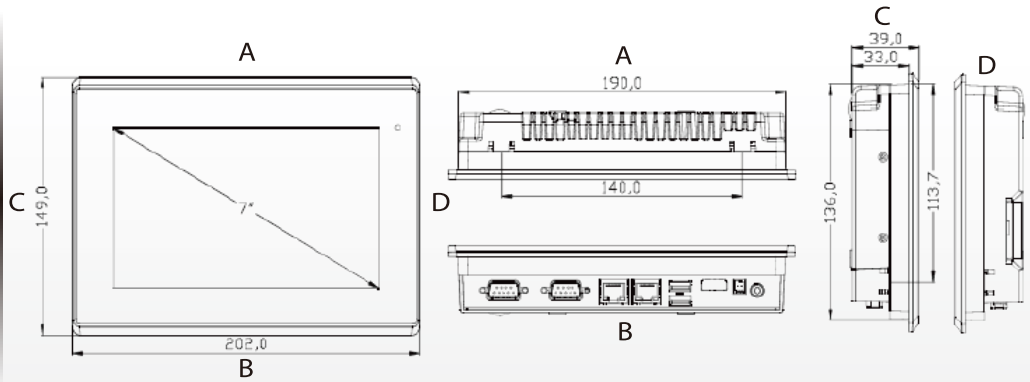
Operating temperature(°C)	0~50°C
Storage temperature(°C)	-20~60°C
Storage humidity	10 to 90% @ 40°C, non- condensing
Certification	CE, FCC CLASS A, CB, UL

Ordering Information

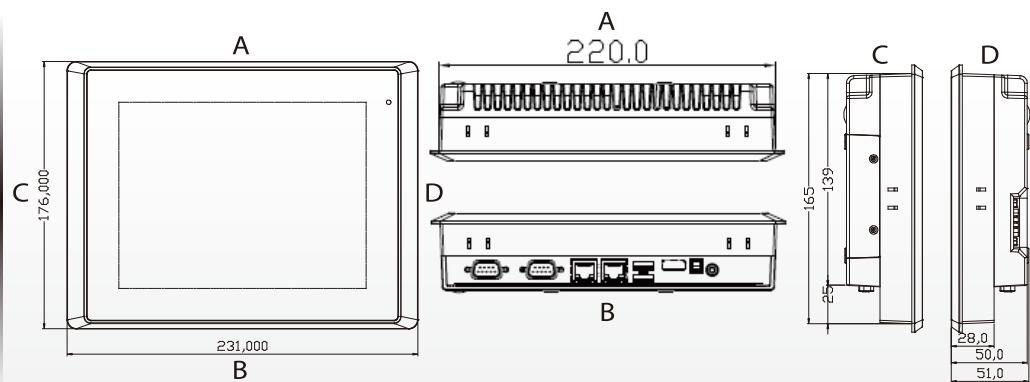
AR-PA807(P)FL	7" WVGA Fanless HMI barebone with Intel N2930 CPU, 4GB DDR3L RAM, Resistive touch screen, 9~36V DC input with adapter / Projected Capacitive touch screen, Aluminum chassis
AR-PA808(P)FL	8" SVGA Fanless HMI barebone with Intel N2930 CPU, 4GB DDR3L RAM, Resistive touch screen, 9~36V DC input with adapter / Projected Capacitive touch screen, Aluminum chassis

Dimension

AR-PA807(P)FL



AR-PA808(P)FL



AR-PA8XXFL-N2930

Features

- 7"/8"/10.1"/12.1"/15" Industrial Compact Size Panel PC
- Flat front panel touch screen
- Fanless design
- Intel Bay Trail N2930(1.83GHz) CPU for option
- Onboard 4GB DDR3L-1600MHz / 4GB(option)
- 9~36VDC wide-ranging power input
- IP65 compliant front panel
- Optional projected capacitive touchscreen support 7H anti-scratch surface



Specification

Model Name	AR-PA810(P)FL-N2930	AR-PA812(P)FL-N2930
System		
CPU	Onboard Intel Bay Trail N2930(1.83GHz) Processor for option	
System Chipset	Intel Bay Trail SoC	
System Memory	Onboard 4GB DDR3L-1600MHz / 4GB(option)	
Display		
Display Type	10.1"	12.1"
Max. Resolution	1280 x 800	800 x 600
Max. Color	262 K	262 K
Luminance (cd/m ²)	350	450
Contrast Ratio	800 : 1	800 : 1
View angle(H°/V°)	H:160° / V:160°	H:160° / V:140°
Backlight Lifetime	40,000 (hrs)	50,000 (hrs)
Touch screen - Resistive Touch Window Type		
TS Control IC	Resistive Touch Windows	
Interface	USB	
Light Transmission	Resistive Touch Windows: 80%	
Touch screen - Projected Capacitive Type		
TS Control IC	Projected Capacitive Touch(For P Model)	
Interface	USB	
Light Transmission	Projected Capacitive Touch: 90%	
I/O Port		
USB	1 x USB 2.0 type A + 1 x USB 3.0 type A	
Serial/Parallel	1 x RS-232 DB-9(COM2) + 1 x DB-9 RS-232/422/485 (Default RS-232)(COM1)	
Audio/HDMI	1 x Audio Line Out / 1 x HDMI Port (reserved, no printing)	
LAN	2 x GbE LAN RJ-45	
Power	1 x 3-pin Terminal Block DC Power input + 1 x 2-pin connector for power on/off button (Only for AR-PA810(P)FL, AR-PA812(P)FL, and AR-PA815(P)FL)	
Option	2 x RS-232 DB-9 + 1 x mini PCIe slot via TB-528C2ME1 / 2 x CAN bus via TB-528CAN2 / 2 x USB 2.0 type A Via TB-528U2 2 x USB 2.0 type A + 1 x mini PCIe slot + 1 x RS-232 DB-9 via TB-528C1U2P1 for AR-PA812(P)FL 2 x USB 2.0 type A + 1 x mini PCIe slot + 1 x RS-232 DB-9 via TB-528C1U2 for AR-PA810(P)FL	
Storage		
HDD	1 x 2.5" SATA HDD bay for SATA HDD (Easy Accessible)	
Movable device	1 x SD card slot, up to 32GB	
Software		
OS Support	Windows Embedded Compact 7, Windows Embedded Standard 7, Windows Embedded 8 Standard, Windows Embedded 8.1 Industry Windows 10 IoT Enterprise 2015 LTS13	

Expansion

On board expansion bus 1 x Internal mini PCIe slot full size

Power Requirement

Power Input 9~36V DC

Power Consumption Max:11.2W / 14W(P) Max:14.6W / 15.2W(P)

Mechanical

Color RAL 9007

Construction Aluminum Die-casting Front Bezel and Chassis

Mounting Panel Mounting, VESA 100 x 100

Dimension (mm) 285 x 189 x 48.9 319 x 245 x 51.7

Net weight (Kg) 1.9 Kg 2.5 Kg

Environmental

Operating temperature(°C) 0~50°C

Storage temperature(°C) -20~60°C

Storage humidity 10 to 90% @ 40°C, non- condensing

Certification CE, FCC CLASS A, CB, UL

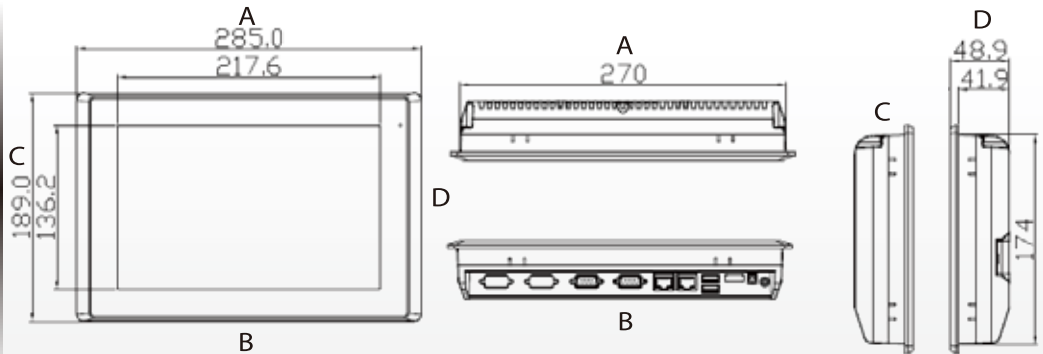
Ordering Information

AR-PA810(P)FL 10.1" WVGA Fanless HMI barebone with Intel N2930 CPU, 4GB DDR3L RAM, Resistive touch screen / Projected Capacitive touch screen, 9~36V DC input with adapter Aluminum chassis

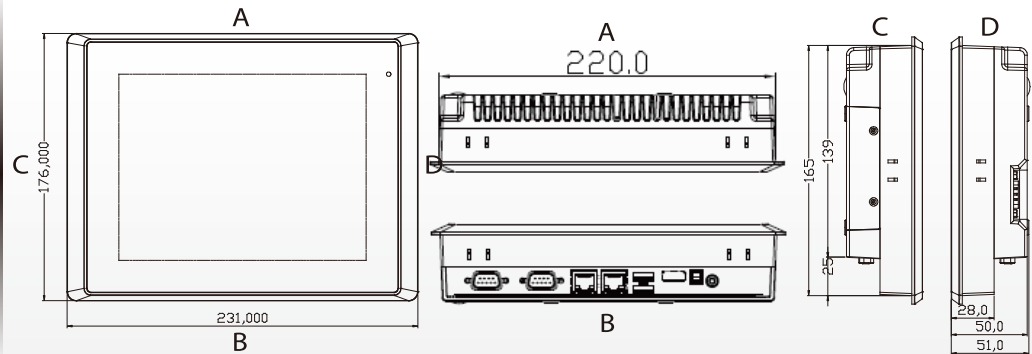
AR-PA812(P)FL 12.1" SVGA Fanless HMI barebone with Intel N2930 CPU, 4GB DDR3L RAM, Resistive touch screen / Projected Capacitive touch screen, 9~36V DC input with adapter Aluminum chassis

Dimension

AR-PA810(P)FL



AR-PA812(P)FL



AR-PA8XXFL-N2930

Features

- 15"/17"/21" Industrial Compact Size Panel PC
- Flat front panel touch screen
- Fanless design
- Intel Bay Trail N2930(1.83GHz) CPU for option
- Onboard 4GB DDR3L-1600MHz / 4GB(option)
- 9~36VDC wide-ranging power input
- IP65 compliant front panel
- Optional projected capacitive touchscreen support 7H anti-scratch surface



Specification

Model Name	AR-PA815(P)FL-N2930	AR-PA817(P)FL-N2930
System		
CPU	Onboard Intel Bay Trail N2930(1.83GHz) Processor for option	
System Chipset	Intel Bay Trail SoC	
System Memory	Onboard 4GB DDR3L-1600MHz / 4GB(option)	
Display		
Display Type	15" color TFT LCD	17"
Max. Resolution	1024 x 768	1280 x 1024
Max. Color	262 K	16.2 M
Luminance (cd/m ²)	350	350
Contrast Ratio	800 : 1	1000 : 1
View angle(H°/V°)	H:160° / V:145°	H:160° / V:170°
Backlight Lifetime	50,000 hrs	30,000 hrs
Touch screen		
Type	Resistive Touch Windows / Projected Capacitive Touch(For P Model)	
Interface	USB	
Light Transmission	Resistive Touch Windows: 80% / Projected Capacitive Touch: 90%	
I/O Port		
USB	1 x USB 2.0 type A + 1 x USB 3.0 type A	
Serial/Parallel	1 x RS-232 DB-9(COM2) + 1 x DB-9 RS-232/422/485 (Default RS-232)(COM1)	
Audio/HDMI	1 x Audio Line Out / 1 x HDMI Port (Reserved, no printing)	
LAN	2 x GbE LAN RJ-45	
Power	1 x 3-pin DC Power input terminal + 1 x 2-pin connector for power on/off button	
Option	(Only for AR-PA815(P)FL, AR-PA817(P)FL) 2 x RS-232 DB-9 + 1 x mini PCIe slot via TB-528C2ME1 2 x CAN bus via TB-528CAN2 2 x USB 2.0 type A Via TB-528U2 2 x USB 2.0 type A + 1 x mini PCIe slot + 1 x RS-232 DB-9 via TB-528C1U2P1 for AR-PA815(P)FL 2 x USB 2.0 type A + 1 x mini PCIe slot + 1 x RS-232 DB-9 via TB-528C1U2P1	
Storage		
HDD	1 x 2.5" SATA HDD bay for SATA HDD (Easy Accessible)	
Movable device	1 x SD card slot, up to 32GB	
Software		
OS Support	Windows Embedded Compact 7, Windows Embedded Standard 7, Windows Embedded 8 Standard, Windows Embedded 8.1 Industry, Windows 10 IoT Enterprise 2015 LTS13	

In-Vehicle Computer

Gaming Platform

Networking Appliance

Embedded SBC

Embedded System

Panel PC

Expansion

On board expansion bus 1 x Internal mini PCIe slot (full size)

Power Requirement

Power Input 9~36V DC

Power Consumption Max:17.8W Max:20.3W / 18.1W(P)

Mechanical

Chassis Color RAL 9007

Front Bezel Metal Aluminum / Panel Mounting

Rear Panel Metal Aluminum / VESA Mount 100 x 100

IP Rating IP65 Compliant Front Panel

Dimension (mm) 410 x 310 x 54.7 412 x 277.5 x 60.4

Net Weight (KG) 4.4 Kg 4.8 Kg

Environmental

Operating temperature(°C) 0~50°C

Storage temperature(°C) -20~60°C

Storage humidity 10 to 90% @ 40°C, non- condensing

Certification CE, FCC CLASS A, CB, UL

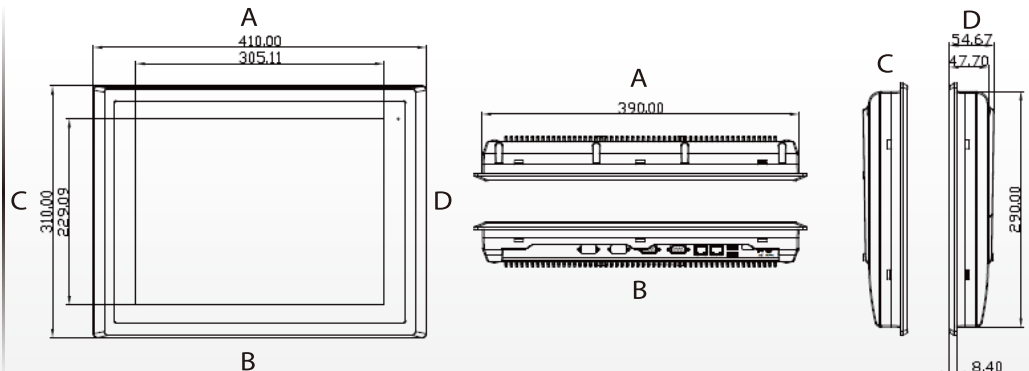
Ordering Information

AR-PA815(P)FL 15.6" WXGA Fanless HMI barebone with Intel N2930 CPU, 4GB DDR3L RAM, Resistive touch screen / Projected Capacitive touch screen, 9~36V DC input with adapter Aluminum chassis

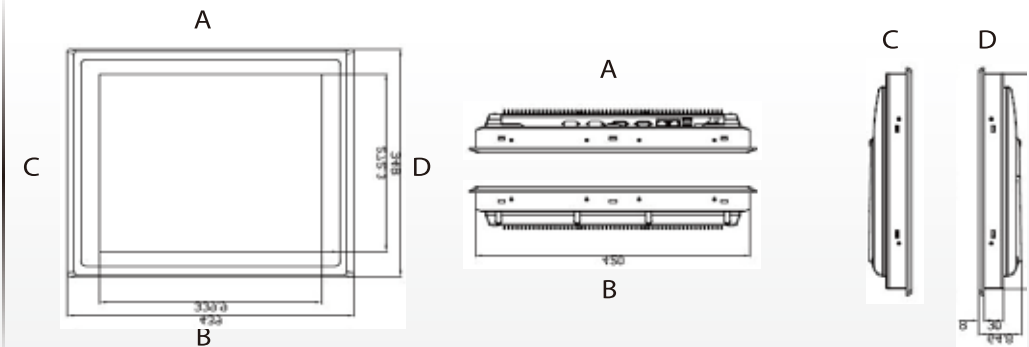
AR-PA817(P)FL 17" SXGA Fanless HMI barebone with Intel N2930 CPU, 4GB DDR3L RAM, Resistive touch screen / Projected Capacitive touch screen, 9~36V DC input with adapter Aluminum chassis

Dimension

AR-PA815(P)FL



AR-PA817(P)FL



AR-PA821FL-N2930

Features

- 15"/17"/21" Industrial Compact Size Panel PC
- Flat front panel touch screen
- Fanless design
- Intel Bay Trail N2930(1.83GHz) CPU for option
- Onboard 4GB DDR3L-1600MHz / 4GB(option)
- 9~36VDC wide-ranging power input
- IP65 compliant front panel
- Optional projected capacitive touchscreen support 7H anti-scratch surface



Specification

Model Name	AR-PA821(P)FL-N2930
System	
CPU	Onboard Intel Bay Trail N2930(1.83GHz) Processor for option
System Chipset	Intel Bay Trail SoC
System Memory	Onboard 4GB DDR3L-1600MHz / 4GB(option)
Display	
Display Type	21.5"
Max. Resolution	1920 x 1080
Max. Color	16.7 M
Luminance (cd/m ²)	250
Contrast Ratio	3000 : 1
View angle(H°/V°)	H:178° / V:178°
Backlight Lifetime	30,000 hrs
Touch screen	
Type	Resistive Touch Windows / Projected Capacitive Touch(For P Model)
Interface	USB
Light Transmission	Resistive Touch Windows: 80% / Projected Capacitive Touch: 90%
I/O Port	
USB	1 x USB 2.0 type A + 1 x USB 3.0 type A
Serial/Parallel	1 x RS-232 DB-9(COM2) + 1 x DB-9 RS-232/422/485 (Default RS-232)(COM1)
Audio/HDMI	1 x Audio Line Out / 1 x HDMI Port (Reserved, no printing)
LAN	2 x GbE LAN RJ-45
Power	1 x 3-pin DC Power input terminal + 1 x 2-pin connector for power on/off button
Option	2 x RS-232 DB-9 + 1 x mini PCIe slot via TB-528C2ME1 2 x CAN bus via TB-528CAN2 2 x USB 2.0 type A Via TB-528U2 2 x USB 2.0 type A + 1 x mini PCIe slot + 1 x RS-232 DB-9 via TB-528C1U2P1 for AR-PA815(P)FL 2 x USB 2.0 type A + 1 x mini PCIe slot + 1 x RS-232 DB-9 via TB-528C1U2P1
Storage	
HDD	1 x 2.5" SATA HDD bay for SATA HDD (Easy Accessible)
Movable device	1 x SD card slot, up to 32GB
Software	
OS Support	Windows Embedded Compact 7, Windows Embedded Standard 7, Windows Embedded 8 Standard, Windows Embedded 8.1 Industry Windows 10 IoT Enterprise 2015 LTS13

In-Vehicle Computer

Gaming Platform

Networking Appliance

Embedded SBC

Embedded System

Panel PC

Expansion

On board expansion bus 1 x Internal mini PCIe slot full size

Power Requirement

Power Input 9~36V DC

Power Consumption Max:26.7W

Mechanical

Chassis Color RAL 9007

Front Bezel Metal Aluminum / Panel Mounting

Rear Panel Metal Aluminum / VESA Mount 100 x 100

IP Rating IP65 Compliant Front Panel

Dimension (mm) 557 x 362 x 64.8

Net Weight (KG) 7.8 Kg

Environmental

Operating temperature(°C) 0~50°C

Storage temperature(°C) -20~60°C

Storage humidity 10 to 90% @ 40°C, non- condensing

Certification CE, FCC CLASS A, CB, UL

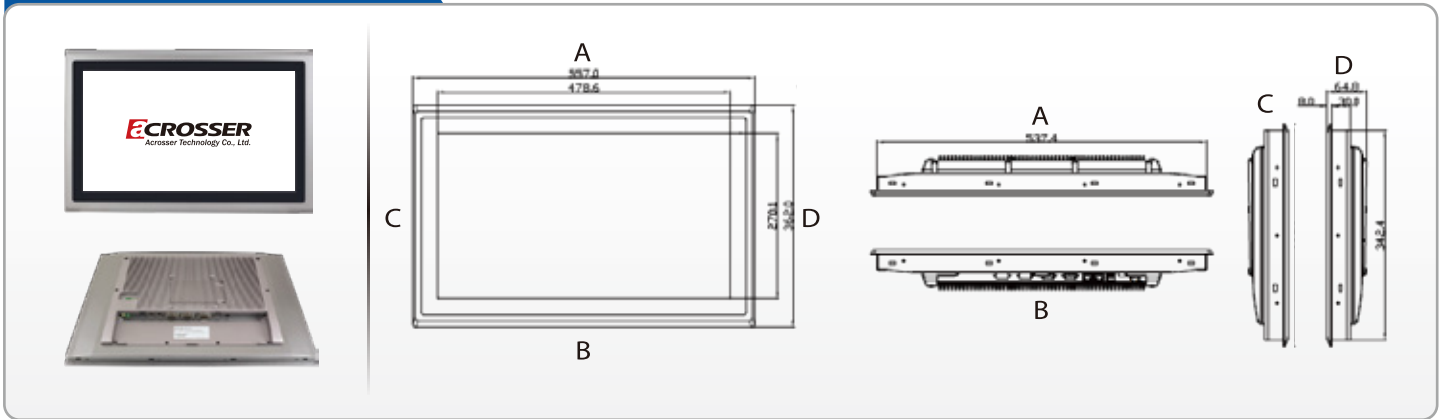
Ordering Information

AR-PA821(P)FL

21.5" FHD Fanless HMI barebone with Intel N2930 CPU, 4GB DDR3L RAM, Resistive touch screen / Projected Capacitive touch screen, 9~36V DC input with adapter Aluminum chassis

Dimension

AR-PA821(P)FL



Display Panel-12T Series

Features

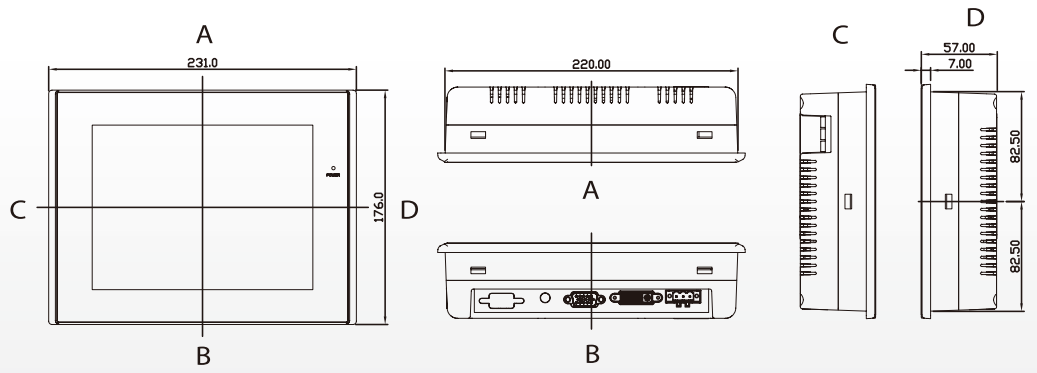
- Industrial Display
- 8", 10, & 12" with overlay (sealed) USB resistive touch
- 15" with USB resistive touch
- 8", 10, & 12" Monitor is with DC 12V power input & adapter
- 15" Monitoris with AC 100~240V input
- Default VGA input, optional for VGA/DVI input
- OSD at rear side
- Front Panel IP65

Specification

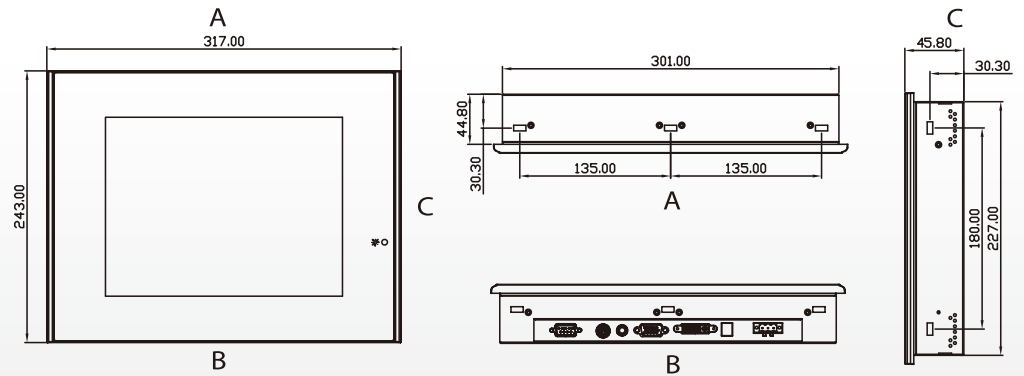
Model Name	AR-DP080-12T	AR-DP100-12T	AR-DP120-12T	AR-DP150-AT
LCD				
Panel Size	8" TFT-LCD	10.4" TFT-LCD	12.1" TFT-LCD	15" TFT-LCD
Max. Resolution	800 x 600			1024 x 768
Luminance (cd/m ²)	350	250	400	350
Backlight Lifetime	40,000hrs	30,000hrs	50,000hrs	50,000hrs
Viewing Angle	H:130° / V:110°			H:160° / V:140°
Touch Screen				
Type	Overlay Resistive Touch			Resistive Touch
Light Transmittion	80%			
I/O				
Video Interface	1 x VGA input			
Video Optional	1 x DVI	1 x DVI, 1 x S-Video		
USB	1 x USB 2.0 for Touch			
OSD	At Rear Side			
Power Requirement				
Power Input	12 V DC input with adapter			AC 100-240V
Mechanical & Environment				
Chassis Material	Plastic Casing	Heavy-duty metal chassis with plastic front		Metal Enclosure
Dimension (W x H x D)	231 mm x 176 mm x 57mm	317 mm x 243 mm x 45 mm	390 mm x 264 mm x 63mm	410 mm x 310 mm x 60mm
Net Weight	1.5 kgs	3.5 kgs	4.14 kgs	8.25kgs
IP Rating	Front panel IP65			
Mounting	Panel Mount / VESA 75 x 75			
Operating Temp.	0~50°C			
Storage Temp.	-20~60°C			
Relative Humidity	10 to 90% @ 40°C, non-condensing			
Safety	CE, FCC class A			

Dimension

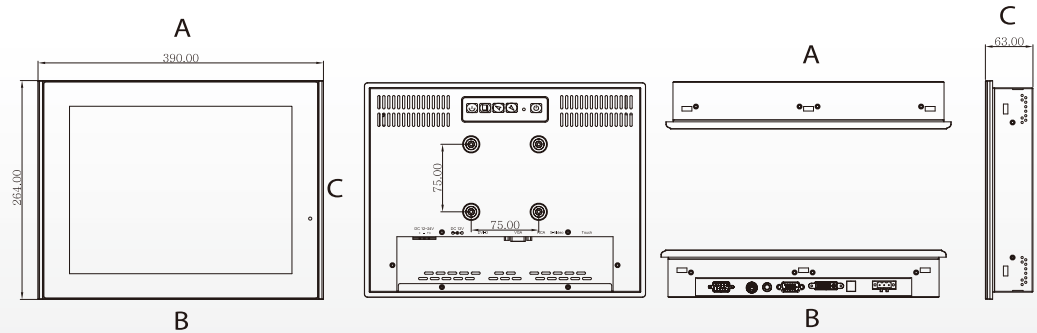
AR-DP080-12T



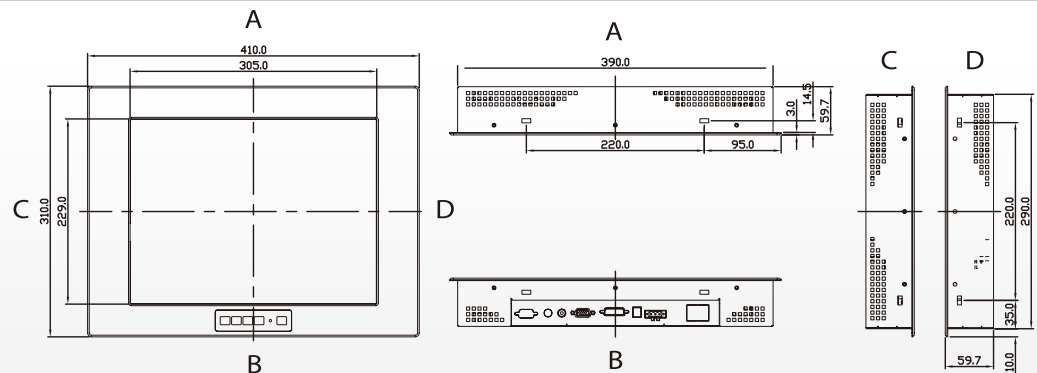
AR-DP100-12T



AR-DP120-12T



AR-DP150-AT



Projected Display-PDT Series

Features

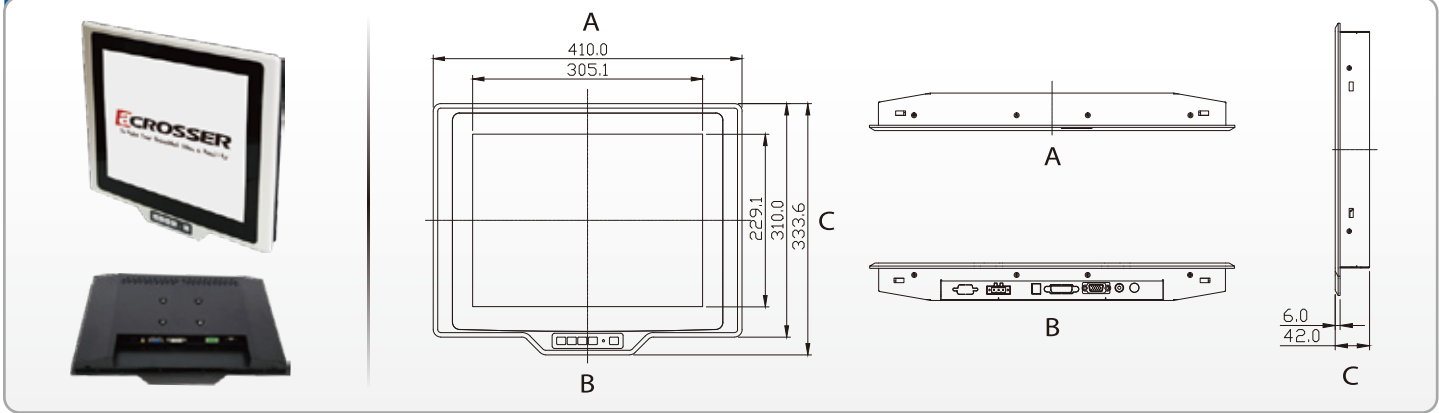
- 15" & 19" Industrial Display
- P-Cap touch screen for Multi-touch (Window Base)
- OSD at rear side
- Front Panel IP65
- DC 11~32V input with adapter
- Flat Panel Design
- VGA / DVI / S-video input

Specification

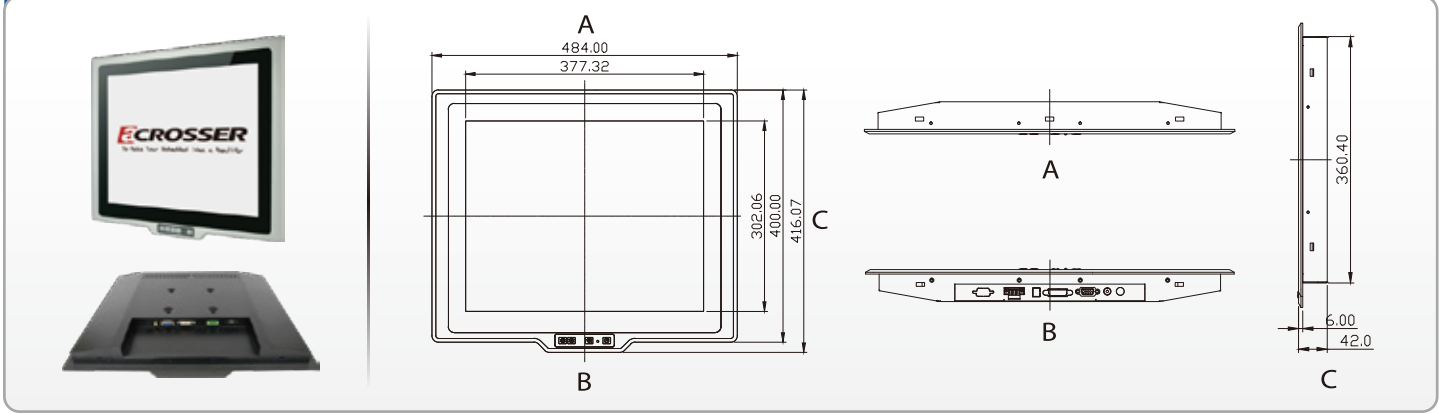
Model Name	AR-DP150-PDT	AR-DP190-PDT
LCD		
Panel Size	15" TFT-LCD	19" TFT-LCD
Max. Resolution	1024 x 768	1280 x 1024
Luminance (cd/m ²)	400	300
Backlight Lifetime	50,000hrs	
Viewing Angle	H:160° / V:145°	H:170° / V:160°
Touch Screen		
Type	Projected Capacitive Touch	
Light Transmittion	80%	
I/O		
Video Interface	1 x VGA, 1 x DVI, 1 x AV, 1 x S-Video	
USB	1 x USB 2.0 for Touch	
Power Input	1 x 3 Pin DC power input terminal block, 1 x DC 11~32V input with adapter	
OSD	At rear side	
Power Requirement		
Power Input	DC 11~32V with Adapter	
Mechanical & Environment		
Chassis Material	Aluminum front bezel and Metal Casing	
Dimension (W x H x D)	410 mm x 331 mm x 42 mm	484 mm x 416 mm x 47 mm
Net Weight	4.2 kgs	5.9 kgs
IP Rating	Front panel IP65	
Mounting	Panel Mount / VESA 75 x 75	Panel Mount / VESA 100 x 100
Operating Temp.	-20~60°C	0~50°C
Storage Temp.	-20~70°C	-20~60°C
Relative Humidity	10 to 90% @ 40°C, non-condensing	
Safety	CE, FCC class A	

Dimension

AR-DP150-PDT



AR-DP190-PDT





To Make Your
Embedded
Idea a Reality

ACROSSER

Acrosser Technology Co., Ltd.

Acrosser Headquarters

241新北市三重區光復路一段61巷26號10樓
10F., No.26, Ln. 61, Sec. 1, Guangfu Rd.,
Sanzhong Dist., New Taipei City 241, Taiwan (R.O.C.)
TEL: +886-2-29999000
FAX: +886-2-29992887

Acrosser Taichung Office

414台中市烏日區僑仁街8號10樓之1
10F.-1, No.8, Qiaoren St., Wuri Dist.,
Taichung City 414, Taiwan, (R.O.C.)
TEL: +886-4-23370715
FAX: +886-4-23373422

Acrosser USA Inc.

11235 Knott Ave. Suite A,
Cypress, CA 90630
USA
Toll Free: +1-866-401-9463
TEL: +1-714-903-1760
FAX: +1-714-903-5629

Acrosser China Subsidiary

深圳市欣扬通电子有限公司
深圳市福田区车公庙泰然九路21号皇冠科技园3栋2楼 (邮编:518040)
2F., 3rd Building, Crown Science Park, No. 21,
Tai-Ran 9th Rd., Che Gong Miao, Futian Dist., Shenzhen, China (Postal:518040)
TEL: +86-755-83542210
FAX: +86-755-83700087

Acrosser Nanjing Office

欣扬通电子有限公司 南京办事处
江苏省南京市江宁区天元东路228号504室(莱茵铂郡) (邮编211112)
Room 504, No. 228, Rhine County Building, Tian Yuan East Rd.,
Jiang Ning Dist., Nanjing City, Jiangsu, China (Postal:211112)
TEL: +86-025-86137002
FAX: +86-025-86137003

Acrosser Beijing Office

欣扬通电子有限公司 北京办事处
北京市昌平区沙河镇沙阳路巩华新村 8号楼 2单元 1403室
Room 1403, Unit 2, Building 8, Gonghua Village, Shahe Town,
Changping District, Beijing, China
Mobile: +86-13311317329