

# AR-V6100FL

Fanless In-Vehicle system, Intel Core i5/i7 + HM65 with smart power system, GPS/3.5G/WiFi/Bluetooth option



## Features

- Rugged fanless design
- Support Intel 2nd generation Core i processors with HM65 chipset
- 2 x DDR3 SO-DIMM, up to 8GB
- Support CAN 2.0A/2.0B protocol and i-Button for driver ID
- VGA/HDMI/DVI-D output
- Variety Wireless Communication
- Combo connector to simplify touch monitor installation



## Specification

### System

CPU	Intel Core i7 2710QE / i5 2510E / Celeron B810
Chipset	Intel HM65
Memory	2 x 204-pin DDR3-1333 SO-DIMM 2GB pre-installed, up to 8GB

### Video

Graphic Controller	Integrated within processors
Video Memory	DVMT
Video Interface	1 x HDMI type A connector 1 x DVI-D connector 1 x dedicated combo connector (VGA/USB/audio/power)

### Storage

SATA	2 x SATA III port with power connector
CF	1 x Compact Flash Type I/II slot support UDMA 33
Disk Bay	1 x swappable 2.5" HDD bay with Anti-vibration / Anti-shock solution

### Communication

Ethernet	2 x Intel GbE chip via RJ-45 connector
USB	4 x USB 2.0
Serial Port	1 x RS232 1 x RS232/422/485 (DB9, switch selectable)

### I/O

Expansion Slot	2 x Mini PCIe (For Optional 3.5G / Wifi module only)
GPIO	8-bit GPIO (4 In, 4 Out)
Antenna Hole	1 x SMA for GPS, 1 x SMA for 3.5G, 2 x SMA for WiFi, 1 x SMA for Bluetooth
SIM	SIM Slot x 1, SIM card changeable without opening case
iButton	1-Wire interface for driver ID and sensors
CAN Bus	Support CAN 2.0A/2.0B protocol

### Software

OS Support	Windows XP, Windows 7, Fedora 14, Ubuntu 10
------------	---

## Others Feature

Audio	Audio Codec (Line-out & MIC)
Hardware Monitor	CPU voltage and temperature
WatchDog Timer	1~255 sec. software programmable
Indicator	Power/HDD/Status LED

## Power Requirement

Power Input	9~32 V (+/-5%) single voltage input, 3 pole terminal block
Power Consumption	Max 80W (i7 CPU)

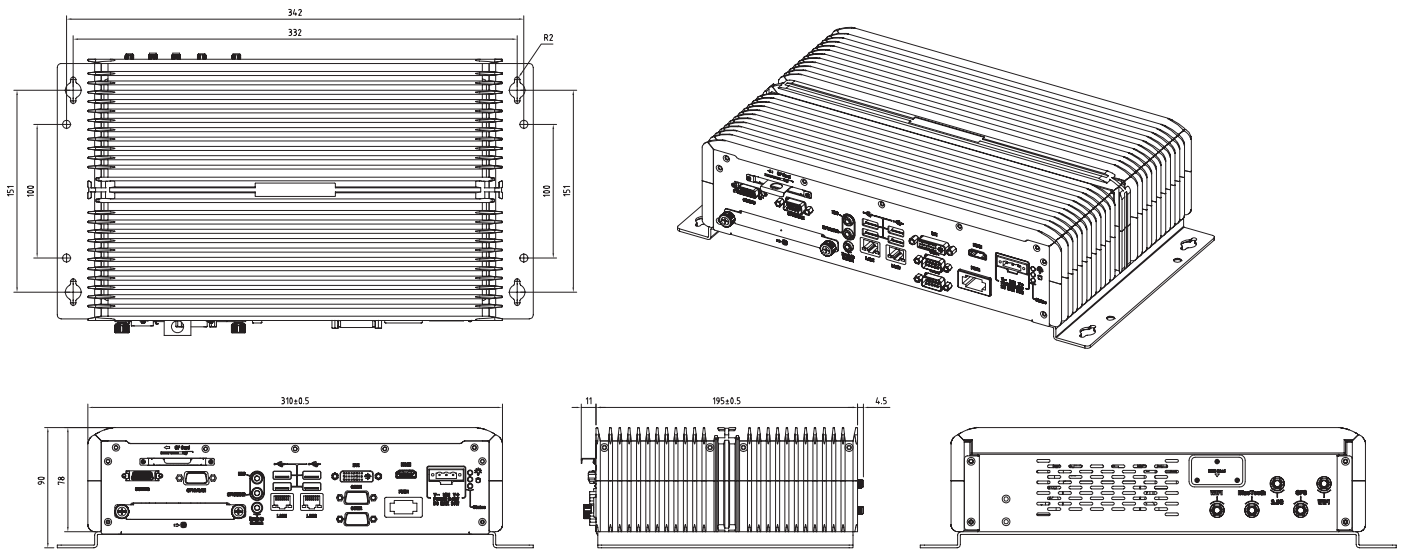
## Mechanical & Environment

Thermal Design	Fanless
Chassis Material	Metal SPGC
Vibration	IEC 60068-2-64, 5~500Hz, 3Grms(CF/SSD), Operating with SSD
Shock	IEC 60068-2-27, 50G 11ms, Operating with SSD
Dimension	310mm x 195mm x 80mm
Weight	6 kg
Operating Temp.	0~60°C (32~140°F)
Storage temp.	-40~80°C (-40~176°F)
Relative Humidity	0~90% @ 40°C, non-condensing
Safety	CE, FCC class B, E-Mark

## Smart In-Vehicle Power Management

O/S Anti-Crash	Smart O/S boot/shut-down control by power subsystem
System boot / Shut-down delay	Delay time from 0 seconds to 60 minutes setting in BIOS
System boot fail retry	3 times boot fail retry
Power on/off switches	<ul style="list-style-type: none"> <li>• System power switch by remote cable switch</li> <li>• System power input serial connection to car battery and ignition switch</li> </ul>
Car battery protection	Low battery voltage monitoring and configurable auto shutdown low battery voltage level

## Dimension



## I/O Connectors



## Packing List

- 1 x AR-V6100FL
- 1 x User Guide & System Driver CD
- 1 x Screw pack(2.5"HDD bracket: 4pcs)
- 1 x Terminal block female 3pin x 1
- 1 x Spare Fuse 10A
- 1 x Remote Switch Cable
- 1 x GPIO/CAN/Driver ID DB15 Cable
- 1 x One to Many Combo Cable

## Ordering Information

AR-V6100FLCM	AR-V6100FL with Intel Celeron B810 1.6GHz, 2M cache
AR-V6100FLI5	AR-V6100FL with Intel Core i5 2510E 2.50GHz, 3M cache
AR-V6100FLI7	AR-V6100FL with Intel Core i7 2710QE 2.10GHz, 6M cache

## Optional Modules

100070067	Wieson G5020-1 GPS module with RF Cable, Cable Antenna (L=5M)
100070066	Qcom QBTM400-01, RF Cable, Antenna
100070075	Sierra MC8705 with RF cable, Cable Antenna
100070086	Intel Centrino N6205 802.11 a/b/g/n WiFi module, RF Cable, Antenna x 2