

AR-V6002FL

Fanless and Dustproof Intel Atom D425/D525
In-Vehicle Computer



Features

- Rugged fanless design
- Support Intel Atom D425/D525 processors with ICH8M chipset
- 1 x DDR3 SO-DIMM, up to 4GB
- Support CAN 2.0A/2.0B protocol
- VGA output
- Variety Wireless Communication



Specification

System

CPU	Intel Atom D425/D525
Chipset	Intel ICH8M
Memory	One DDR3 SO-DIMM socket, support up to 4GB 1GB pre-install

Video

Graphic Controller	Integrated within Atom D425/D525
Video Memory	N/A
Video Interface	1 x VGA port (DB15)

Storage

IDE	N/A
SATA	2 x SATA II port
CF	1 x External Compact Flash Type I/II socket
Disk Bay	1 x 2.5" Disk bay with Anti-vibration / Anti-shock solution for SSD only

Communication

Ethernet	1 x GbE RJ45, Realtek 8111D
USB	4 X USB 2.0
Serial Port	2 x RS-232/422/485, 2 x RS-232

I/O

Expansion Slot	2 x Mini PCIe(Reserve for WiFi and 3.5G)
GPIO	8-bit GPIO (4 In, 4 Out)
Antenna Hole	1 x SMA for GPS, 1 x SMA for 3.5G, 2 x SMA for WiFi, 1 x SMA for Bluetooth
SIM	SIM Slot x 1, SIM card changeable without opening case, latch to protect SIM uncertainly touch
Audio	1 x MIC in , 1 x Audio out
CAN Bus	2 pin JST connector , support CAN 2.0A/2.0B protocol

Software

OS Support	Windows XP, XP embedded, Windows 7, Linux fedora
------------	--

Others Feature

WatchDog Timer	1~255 sec. software programmable
----------------	----------------------------------

Power Requirement

Power Input	12V/24V(Jumper selection)
Power Consumption	Max Load 47W

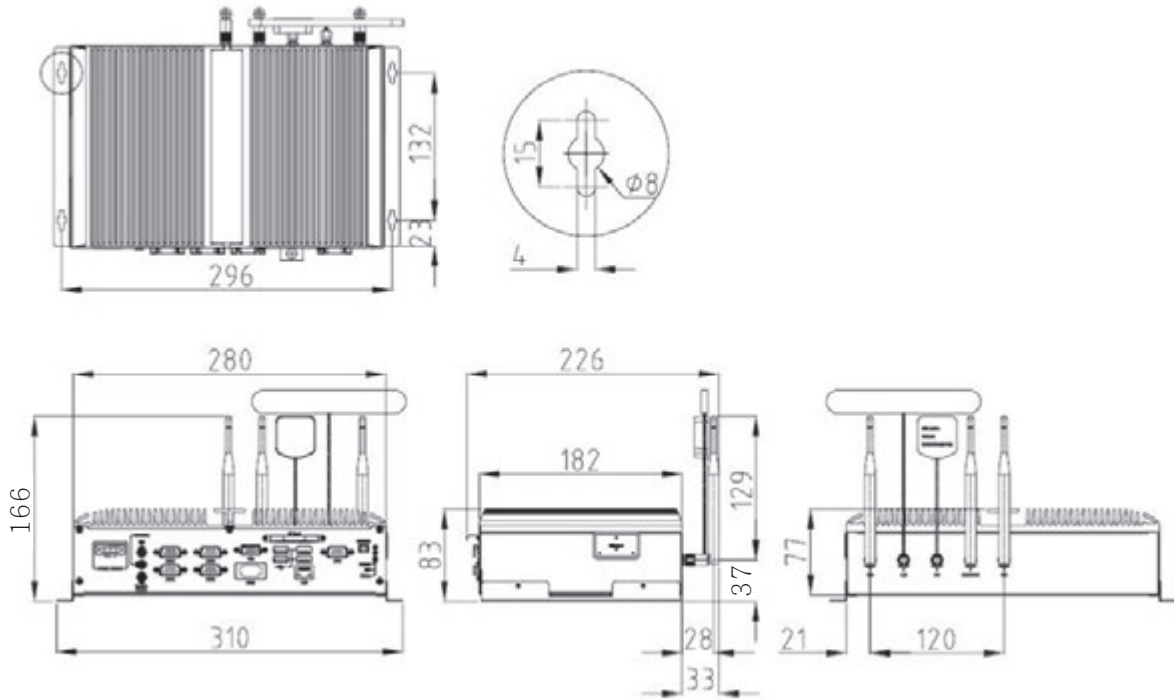
Mechanical & Environment

Thermal Design	Fanless
Vibration	IEC 60068-2-64 5~500Hz, 2GRMS for CF, 3GRMS for SSD
Shock	IEC 60068-2-27 50G 11ms
Dimension	280mm x 181.5mm x 76.8mm
Weight	2.7 kg
Operating Temp.	0~50°C (32~122°F)
Storage temp.	-40~80°C (-40~176°F)
Safety	CE, FCC class B, E-Mark

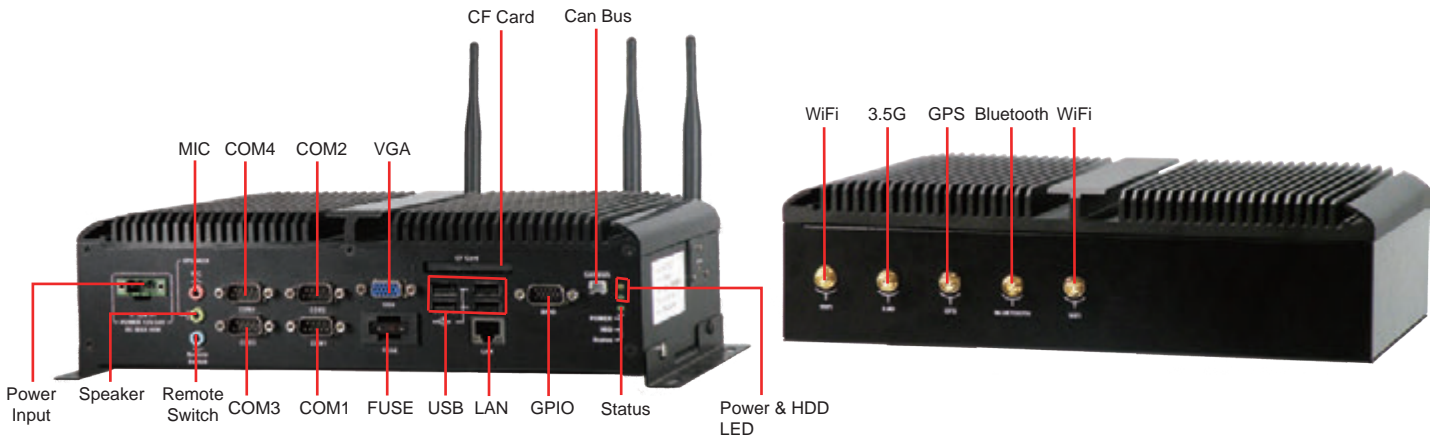
Smart In-Vehicle Power Management

O/S Anti-Crash	Smart O/S boot/shut-down control by power subsystem
System boot / Shut-down delay	Delay time from 0 seconds to 60 minutes setting in BIOS
System boot fail retry	3 times boot fail retry
Power on/off switches	<ul style="list-style-type: none">• System power switch by remote cable switch• System power input serial connection to car battery and ignition switch
Car battery protection	Low battery voltage monitoring and configurable auto shutdown low battery voltage level

Dimension



I/O Connectors



Packing List

- 1 x AR-V6002FL
- 1 x User Guide CD with driver
- 2 x Wall Mount Bracket
- 1 x Screw pack (2.5" HDD bracket : 4pcs)
- 1 x Terminal block (Plug-DC connector)
- 1 x Remote Switch Cable
- 1 x Antenna for GPS (option)
- 2 x Antenna for WiFi (option)
- 1 x Antenna for 3.5G (option)
- 1 x Antenna for Bluetooth (option)
- 1 x Fuse 7.5A

Ordering Information

AR-V6002FLD4	AR-V6002FL with Intel Atom D425 1.8GHz, 1GB DDR3
AR-V6002FLD5	AR-V6002FL with Intel Atom D525 1.8GHz, 1GB DDR3

Optional Modules

100070083	Sierra MC8705 with RF cable, Cable Antenna
100070055	WIESON ZYM-5020, Cable Antenna (L=5M)
100070056	Qcom QBTM400-01, Antenna
100070003	Intel Centrino N6205 802.11 a/b/g/n WiFi module, RF Cable, Antenna x 2