

# ACS-N0631

8 Serial Ports Fanless and Dustproof AMD Geode LX800 Console Server with Isolation

Console Server



## Features

- AMD Geode LX800
- 1 x 10/100Mbps LAN
- 4 x Isolated / non-Isolated RS-232/422/485
- 4 x Non-Isolated COM



## Specification

### System

<b>CPU</b>	Onboard AMD Geode LX800
<b>Chipset</b>	AMD LX800 + CS5536
<b>Front Side Bus</b>	500MHz
<b>Memory</b>	<ul style="list-style-type: none"> <li>● 1 x 200-pin SO-DIMM socket support 166MHz</li> <li>DDR SDRAM up to 1GB</li> <li>● 256MB pre-installed</li> </ul>

### Video

<b>Graphic Controller</b>	AMD Geode LX 800 integrated video controller
<b>Video Memory</b>	-
<b>Video Interface</b>	<ul style="list-style-type: none"> <li>● 1 x VGA port (DB15)</li> <li>● 1 x Dual Channel 18-bit LVDS (Pin header)</li> </ul>

### Storage

<b>IDE</b>	1 x E-IDE (44-pin)
<b>SATA</b>	-
<b>CF</b>	1 x External Compact Flash Type I/II socket
<b>Disk Bay</b>	1 x Anti-shock 2.5" HDD/SSD bracket

### Communication

<b>Ethernet</b>	1 x 100Mbps RJ45 with LED, Realtek RTL8100C
<b>USB</b>	4 x USB 2.0 (4 x external port)

### Other Feature

<b>PS/2</b>	1 x PS/2
<b>Audio</b>	Line -Out
<b>Hardware Monitoring</b>	<ul style="list-style-type: none"> <li>● CPU voltage</li> <li>● CPU and system temperature</li> </ul>
<b>WatchDog Timer</b>	Software programmable 1~63 sec.
<b>Indicator</b>	HDD and Power LED
<b>GPIO</b>	8-bit Digital I/O

### Power Requirement

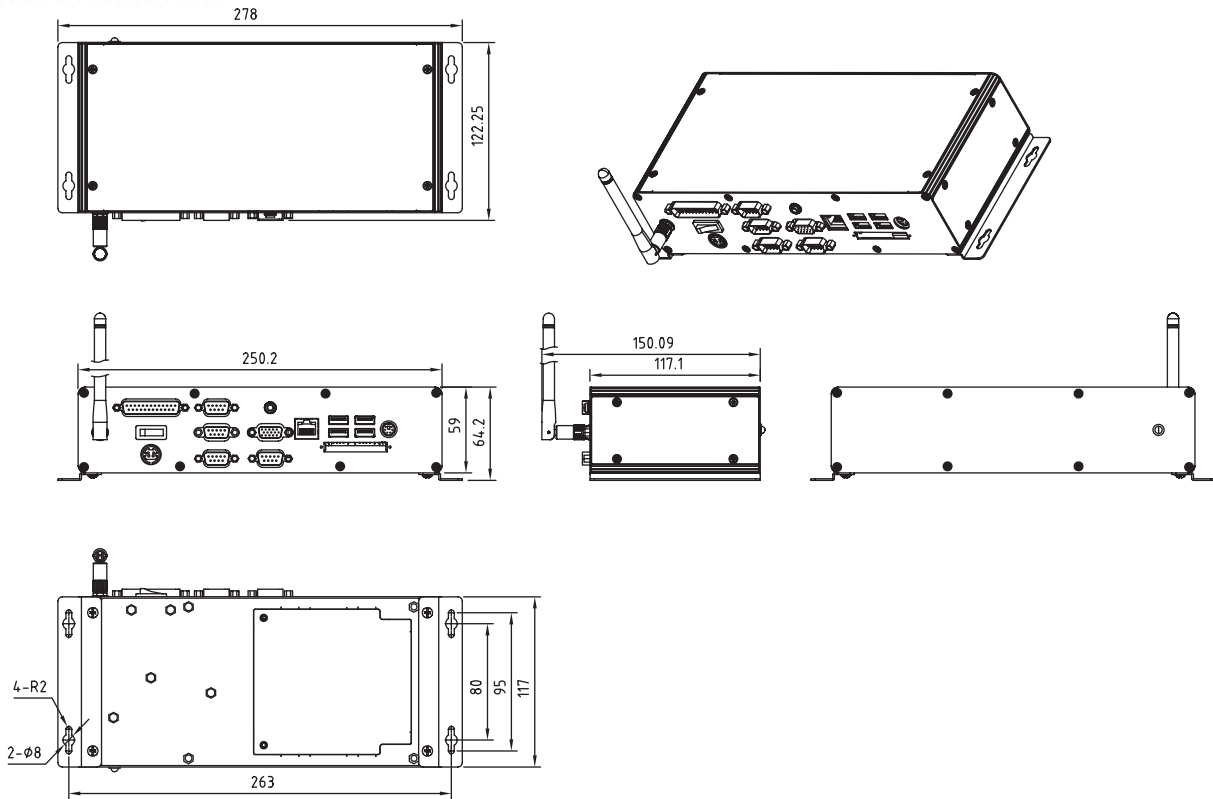
<b>Power Input</b>	12 (+/-5%) VDC, Lockable DC jack
<b>Power Adaptor</b>	90~264VAC, 60W power adaptor

### Software

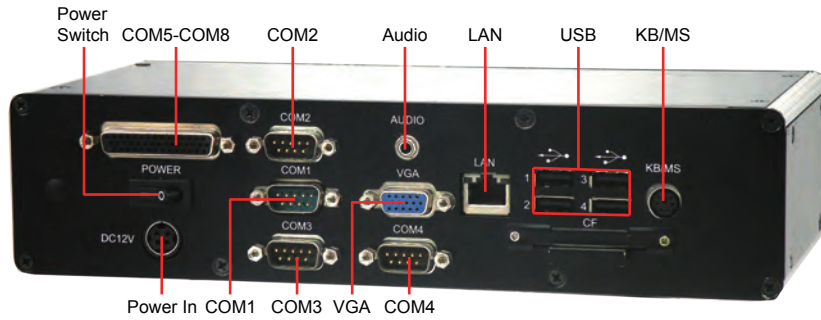
<b>OS Support</b>	Windows XP/XP Embedded/CE, Linux
-------------------	----------------------------------

### Mechanical & Environment

<b>Thermal Design</b>	Fanless
<b>Chassis Material</b>	Aluminum + Metal
<b>Dimension (W x D x H)</b>	250mm x 117mm x 59mm (9.85" x 4.61" x 2.32")
<b>Operating Temp.</b>	0~45°C (32~113°F)
<b>Storage Temp.</b>	-20~80°C (-4~176°F)
<b>Relative Humidity</b>	0 to 90% @ 40°C, non-condensing
<b>Safety</b>	CE, FCC class A



# I/O Connectors



## Packing List

- 1 x ACS-N0631
- 1 x Utility CD
- 1 x 60W Power adapter
- 1 x AC power cord (USA or EU or UK)
- 1 x IDE (44-pin) cable
- 1 x KB/MS cable
- 1 x DB44 to 4 x DB9 cable

## Ordering Information

### ACS-N0631-8PO

- 3 x RS-232 (DB9)
- 1 x RS-232/422/485 (DB9)
- 4 x RS-232/422/485 (DB44 to 4 x DB9)

### ACS-N0631-8P

- 3 x RS-232 (DB9)
- 1 x RS-232/422/485 (DB9)
- 4 x Isolated RS-232/422/485 (DB44 to 4 x DB9)

- \* RS-232/422/485 ports are individually jumper-selectable
- \* Automatic RS-485 data flow control
- \* 2KV optical isolation protection