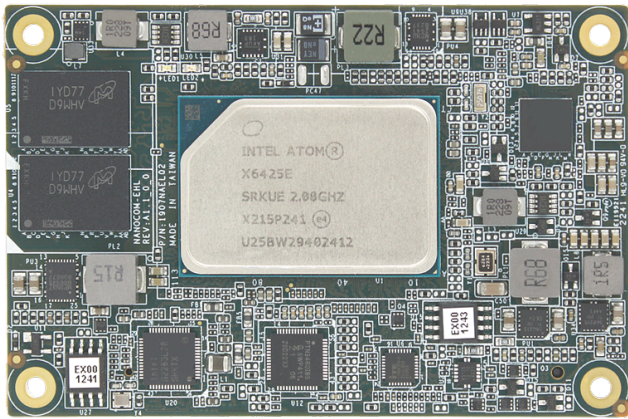


ACM-EL6KE0

COM Express Type 10 CPU Module with Onboard Intel® Atom™/Celeron®/Pentium® Processor



Features

- Intel Atom® x6000E, Pentium®, Celeron® series Processor
- Onboard Memory LPDDR4, up to 16GB
- Intel i226IT 2.5GbE x 1
- 18/24-bit Single Channel LVDS/eDP, DDI x 1
- SATA3 x 2, Onboard eMMC up to 64GB (Optional)
- USB 2.0 x 8, USB 3.2 10Gbps x 2
- PCIe [x1] x 4
- COM Express Mini Size, Type 10, COM.0 R2.1



Specification

System

CPU	ACM-EL6KE0-A1: Intel® Elkhart Lake Intel Atom(R) x6425E Processor, 2.00GHz up to 3GHz, 4C, 4T, 1.5MB cache, 12W ACM-EL6KE0-A2: Intel® Elkhart Lake Intel Pentium(R) J6426 Processor, 2.00GHz up to 3GHz, 4C, 4T, 1.5MB cache, 10W
Chipset	SoC
Memory	ACM-EL6KE0-A1: Onboard LPDDR4x 4266 memory 8G ACM-EL6KE0-A2: Onboard LPDDR4x 4266 memory 16G
BIOS	AMI UEFI
Wake on LAN	Yes
Watchdog Timer	255 Levels
Power Requirement	+12 V and +5 VSB for ATX, +12V for AT
Power Supply Type	AT/ATX
Power Consumption	1.44A@12V, full load, x6425E

Display

Graphic Controller	Intel® UHD Graphics for 10th Gen Intel® Processors
Video Output	Dual Display : LVDS LCD/eDP, DDI x 1 Single Channel LVDS (18/24 bit)

I/O

Ethernet	Intel i226IT 2.5GbE x 1
Audio	High Definition Audio Interface
USB Port	USB 2.0 x 8, USB 3.2 10Gbps x 2
Serial Port	2-Wire UART (Tx/Rx) x 2
HDD Interface	SATA 3 x 2
Expansion Slot	PCIe [x1] x 4 LPC SMBus I2C
GPIO	8-bit
Onboard Storage	Onboard EMMC 64GB
TPM	TPM2.0

Mechanical & Environment

Dimension	13.31" x 2.17" (84mm x 55mm)
Weight	TBD
Operating Temp.	32°F ~ 140°F (0°C ~ 60°C)
Storage Temp	-40°F ~ 185°F (-40°C ~ 85°C)
Relative Humidity	0% ~ 90% relative humidity, non-condensing
Safety	CE/FCC Class A

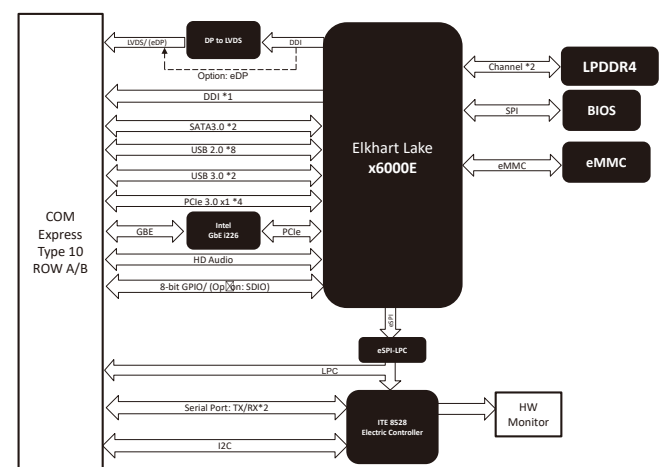
Packing List

- 1 x ACM-EL6KE0
- 1 x CPU Fan

Ordering Information

ACM-EL6KE0-A1	X6425E, 8GB LPDDR4. 64GB EMMC LVDS.DDI.GbE.SATA.USB3.PCIe RevA1.0
ACM-EL6KE0-A2	J6426, 8GB LPDDR4. 64GB EMMC LVDS.DDI.GbE.SATA.USB3.PCIe RevA1.0

Block Diagram



*About the COM-e board, Acrosser can offers consultation for custom carrier board design and planning and also provides low-volume and diverse custom carrier board design, production, manufacturing, and assembly services to help customers who have specific needs for custom carrier boards.