

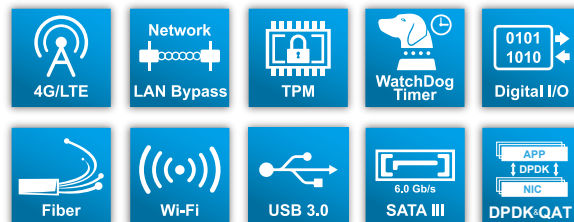
AND-DNV3N2FL

Intel® Atom C3000 Denverton Platform, Desktop Networking Appliance



Features

- Intel® Atom C3558 Denverton-NS Platform
- 4-Core SoC
- 2x SO-DIMM DDR4
- 6x GbE, 2x USB 3.0
- 2x Mini PCIe, One support SIM card socket
- 1x 2.5" SSD,
- TPM 2.0



Others

Battery	Lithium Battery, 3V 220mAh (CR2032)
Hardware Monitoring	CPU Volt. CPU & SYS Temp.
Security	TPM 2.0 (Infineon chipset)
QAT & DPDK	Support QAT & DPDK

Power Requirement

Power Supply Unit	1x DC-in 12V / AC Adapter (40W)
-------------------	---------------------------------

Software

OS Support	Linux Kernel 4.8 or above, (64-bit)
------------	-------------------------------------

Mechanical & Environment

Dimensions	220 (W) x 60 (H) x 105 (D) mm
Operating Temp.	0~ 40°C (32~104°F)
Storage Temp.	-20~80°C (-4~176°F)
Relative Humidity	0 to 90% @40°C, non-condensing
Certifications	CE, FCC Class A, RoHS 2,

Model Name

AND-DNV3N2FL-04PC	Desktop Networking Appliance Intel® Atom C3558 SoC 6x GbE RJ-45 port 1 AC Adapter
AND-DNV3N2FL-04PF	Desktop Networking Appliance Intel® Atom C3558 SoC 4xGbE RJ-45 port 2xGbE SFP port 1 AC Adapter

Specification

System

CPU	Intel® Atom® C3558 Processor (4 core)
Chipset	Intel® Denverton SoC
Memory	2 x SO-DIMM DDR4-2400 for Atom C3558
BIOS	AMI
WatchDog Timer	Software programmable 0~255 sec.

Video

Video Interface	None
-----------------	------

Ethernet

Chipset	Intel® I210, Marvell 88E1543
Connector	4x GbE Copper (RJ-45) 2x GbE Copper (RJ-45), Optional 2x GbE Fiber (SFP)
LAN bypass	Two Pairs

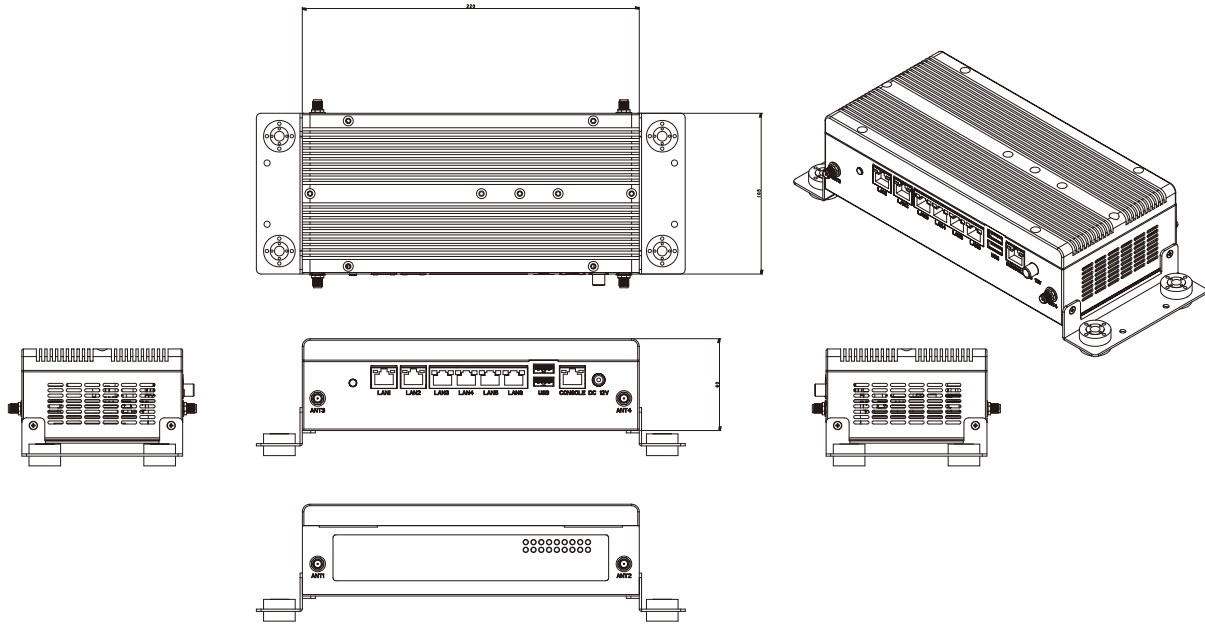
Storage

HDD Bay	1 x 2.5" SATA-III port
---------	------------------------

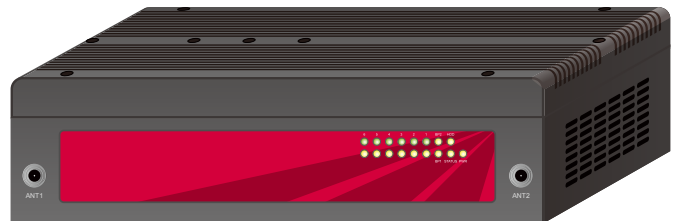
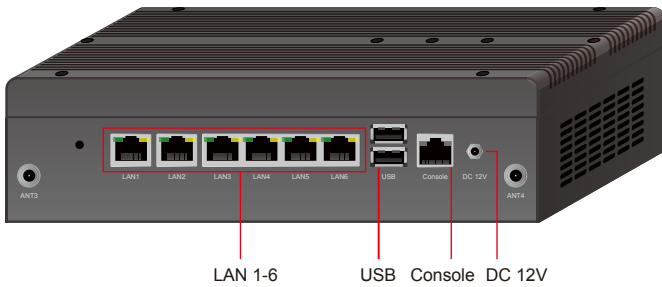
I/O

Console port	1x Serial console (RJ-45)
USB port	2x USB 3.0 (rear-side)
Antenna port	4x SMA for WLAN (IEEE 802.11a/b/g/n/ac) & LTE
GPIO	8-bit GPIO (4-In, 4-Out), on-board pin header
Expansion	2x mini PCIe socket, One supports SIM Card Socket

Dimension



I/O Connectors



Packing List

- AND-DNV3N2FLXXP system x 1
- Console Cable x 1
- CD with Driver and Manual x 1
- Power Adapter x 1
- USA/EU/JPN/UK/AS/NZS/SA/IND power cord x 1
- Screw Pack x 1
- SATA & SATA power cable x 1
- Ear Bracket x 2

Ordering Information

- | | |
|-------------------|--|
| AND-DNV3N2FL-04PC | Networking Desktop powered by Intel®Atom® C3558 SoC, |
| AND-DNV3N2FL-04PF | 4GbE Copper (2-pair bypass) + 2GbE Copper (or Fiber), USB 2.0, SATSIII, mPCIe. |

Optional DDR4 List

- | | |
|------------------|-----------------------------|
| AND-DNV3N2 (ECC) | 4GB DDR4-2400 memory (ECC) |
| | 8GB DDR4-2400 memory (ECC) |
| | 16GB DDR4-2400 memory (ECC) |