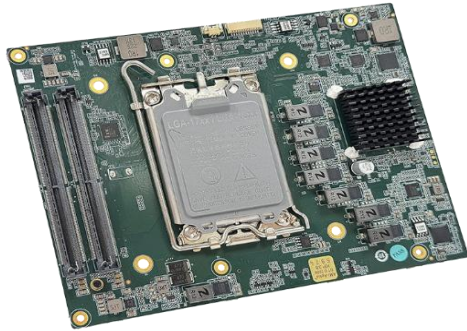


ACM-R680E1

New COM HPC Client Size C with
12th/13th/14th Gen Intel® Core™ Processors



Features

- DDR5 4800 MHz, 2 x Dual Channel SODIMM, up to 64 GB
- 8 x USB 2.0, 6 x USB 3.2
- 8 x PCIe [x1], 3 x PCIe [x4], 1 x PEG [x16]
- 2 x Intel® I226-LM 2.5 GbE
- 2 x M.2 M-Key 2280
- COM HPC Client Type, Size C, 160 x 120 mm (6.30" x 4.72")

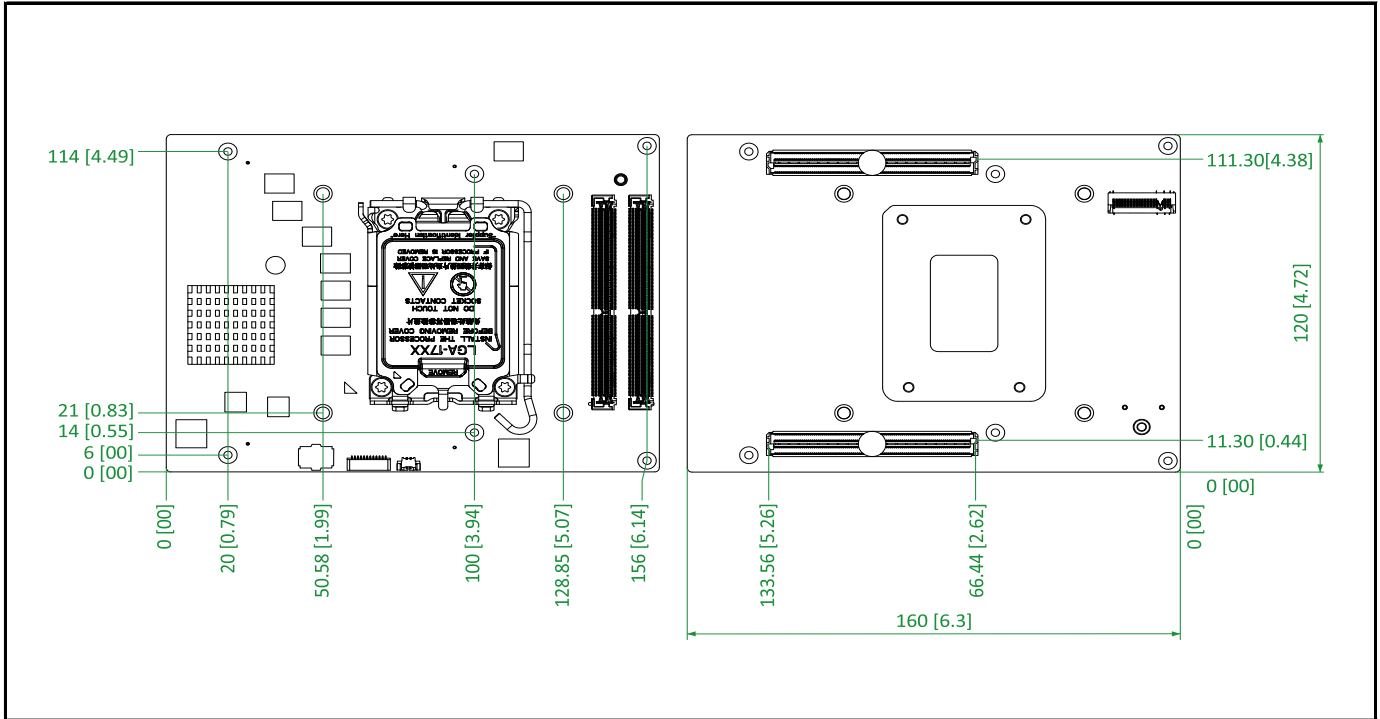
Specifications

System	
CPU	14th Gen Intel® Core™ Processors: Intel® Core™ i9-14900 Intel® Core™ i7-14700 Intel® Core™ i5-14500 13th Gen Intel® Core™ Processors: Intel® Core™ i9-13900E Intel® Core™ i9-13900 Intel® Core™ i7-13700E Intel® Core™ i5-13500E 12th Gen Intel® Core™ Processors: Intel® Core™ i9-12900E Intel® Core™ i7-12700E Intel® Core™ i7-12700
Memory	2 x DDR5 SODIMM
Storage	1 x M.2 M-Key 2280, support NVMe
BIOS	AMI UEFI
Wake on LAN	Yes
Watch Dog	255 Levels
Security	TPM 2.0
Operating System	Windows® 10 (64-bit) Linux Ubuntu 20.04.1/Kernel 5.15
Power Supply	
Power Requirement	+12 V and +5 VSB for ATX, +12 V for AT
Power Consumption	Intel® Core™ i9-13900E, 7.13 A @+12 V (Typical)
Power Type	AT/ATX
Environmental and Mechanical	
Dimension	160 x 120mm (6.30" x 4.72")
Weight	0.3 kg (0.66 lb)
Operating Temperature	0 ~ 60 °C (32 ~ 140 °F)
Storage Temperature	-40 ~ 85 °C (-40 ~ 185 °F)
Operating Humidity	0% ~ 90% relative humidity, non-condensing
Certification	
Regulations	CE, FCC Class A

Interface	
Serial Port	2 x 4-Wire UART (Tx/Rx)
HDD	2 x SATA III
Ethernet	2 x Intel® I226-LM 2.5GbE
USB	4 x USB 3.2, Type-A 2 x USB 3.2, Type-C 8 x USB 2.0
Audio	High Definition Audio Interface
Graphics Controller	Intel® UHD Graphics 770
Display	4 Simultaneous Displays: 1 x eDP, up to 3840 x 2160 @60 Hz 3 x DDI, up to 3840 x 2160 @144 Hz
SMBus/I2C	1 x SMBus 2 x I2C
GPIO	12 bit
Expansion	1 x PEG 5.0 [x16] 3 x PCIe 4.0 [x4] 8 x PCIe 3.0 [x1] 1 x eSPI 1 x LPC

Dimension

Unit: mm / inch



Ordering Information

Packing List

- 1 x ACM-R680E1
- 1 x Cooler: 90 x 90 x 50 mm

Part Number

ACM-R680E1 COM HPC Client Type, Size C

Optional Accessories

Part Number / Item

Carrier Board Carrier board for COM HPC Client Type, Size C