

ACM-8AR2

COM Express Type 6 Compact Size
with Intel® Core™ Ultra 200H Series Processors



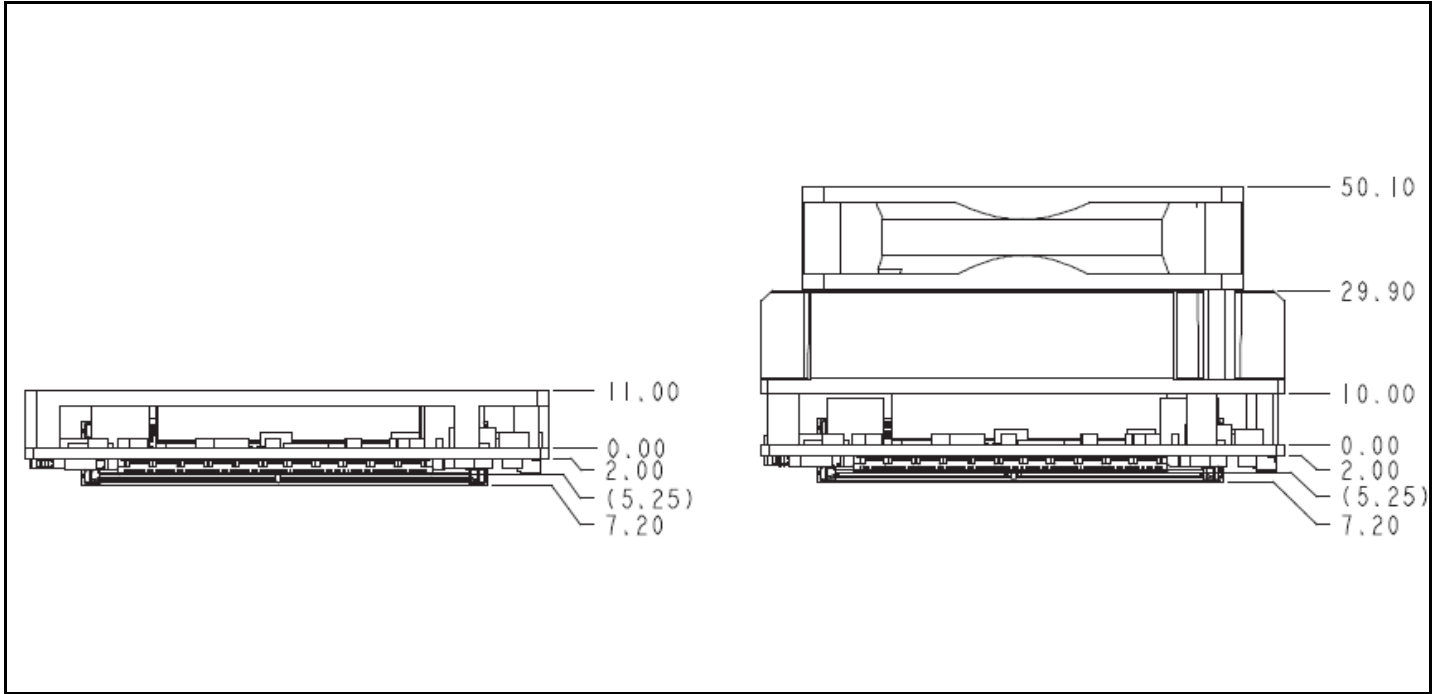
Features

- DDR5 6400MHz Dual-Channel SODIMM x 2, up to 128GB
- VGA Switch DDI x 1, LVDS colay eDP x 1, DDI x 2
- USB 2.0 x 8, USB 3.2 Gen 2 x 4
- PCIe [x1] x 4, PCIe [x4] x 1, PEG [x8] + [x4] + [x4]
- Intel® Ethernet Controller I226, 2.5GbE x 1
- 9V ~ 16V Power Input
- COM Express Type 6, 3.75" x 3.75" (95mm x 95mm)

Specifications

System	
Form Factor	COM Express Compact Size, Type 6
CPU	Intel® Core™ Ultra Processors: Intel® Core™ Ultra 9 Processor 285H (16C/16T, up to 5.4 GHz, 45W) Intel® Core™ Ultra 7 Processor 255H (16C/16T, up to 5.1 GHz, 28W) Intel® Core™ Ultra 5 Processor 225H (14C/14T, up to 4.9 GHz, 28W)
Chipset	Integrated with Intel® SoC
Memory	DDR5 6400MHz Dual Channel SODIMM x 2, non-ECC, up to 128GB
Onboard Storage	NVMe, up to 256GB, via last PEG [x4] bus (Option)
BIOS	AMI UEFI
Wake on LAN	Yes
Watchdog Timer	255 Levels
Dimension	3.75" x 3.75" (95mm x 95mm)
Security	fTPM / dTPM (default)
Power	
Power Requirement	+9V-16V and +5VSB for ATX, +9V-16V for AT
Power Type	AT/ATX
Power Consumption (Typical)	Intel® Core™ Ultra 9 Processor 285H, 9.13A@+12V
Display	
Graphics Controller	Intel® Arc™ graphics
Video Output	4 Simultaneous Displays: LVDS: up to 1920 x 1080 (default) / eDP: up to 3840 x 2160, switch by BOM DDI 1: DP/HDMI, up to 3840 x 2160 DDI 2: DP/HDMI, up to 3840 x 2160 DDI 3: DP/HDMI, up to 3840 x 2160 or VGA, up to 1920 x 1080 (DDI 3 co-lay with VGA)

I/O	
Ethernet	Intel® Ethernet Controller I226 2.5GbE x 2
Audio	High Definition Audio Interface
USB Port	USB 2.0 x 8 USB 3.2 Gen 2 x 4
Serial Port	2-Wire UART x 2 (Tx/Rx)
HDD Interface	SATA 6.0Gbps x 2
Expansion	PEG 4.0 [x8] + [x4] + [x4], last PEG [x4] option to be onboard NVMe SSD PCIe 4.0 [x1] x 4 + PCIe [x4]
GPIO	8-bit
SMBus/I2C	I2C x 1, from EC (default) or CPU, switch by BIOS SMBus x 1, from CPU
Environmental	
Operating Temperature	32°F ~ 140°F (0°C ~ 60°C)
Storage Temperature	-40°F ~ 185°F (-40°C ~ 85°C)
Operating Humidity	0% ~ 90% relative humidity, non-condensing
EMC	CE/FCC Class A
OS Support	Windows® 11 (64-bit) Linux Ubuntu 24.04/Kernel 6.11
Weight	0.25 lb. (0.12Kg)



Ordering Information

Part Number / Item	
ACM-8AR2-001	Intel® Core™ Ultra 9 Processor 285H
ACM-8AR2-002	Intel® Core™ Ultra 7 Processor 255H
ACM-8AR2-003	Intel® Core™ Ultra 5 Processor 225H