

IES-4430

Fanless Embedded Edge System with
13th Gen Intel® Core™ i3/i5/i7 Processor



Features

- 13th Gen Intel® Core™ i3/i5/i7
- Onboard Max LPDDR5 32 GB
- 12 ~ 24 VDC Single Power
- TPM 2.0
- Support isolated CAN, DI, DO, RS485
- Optional 4G LTE, 5G, Wi-Fi
- Fanless design

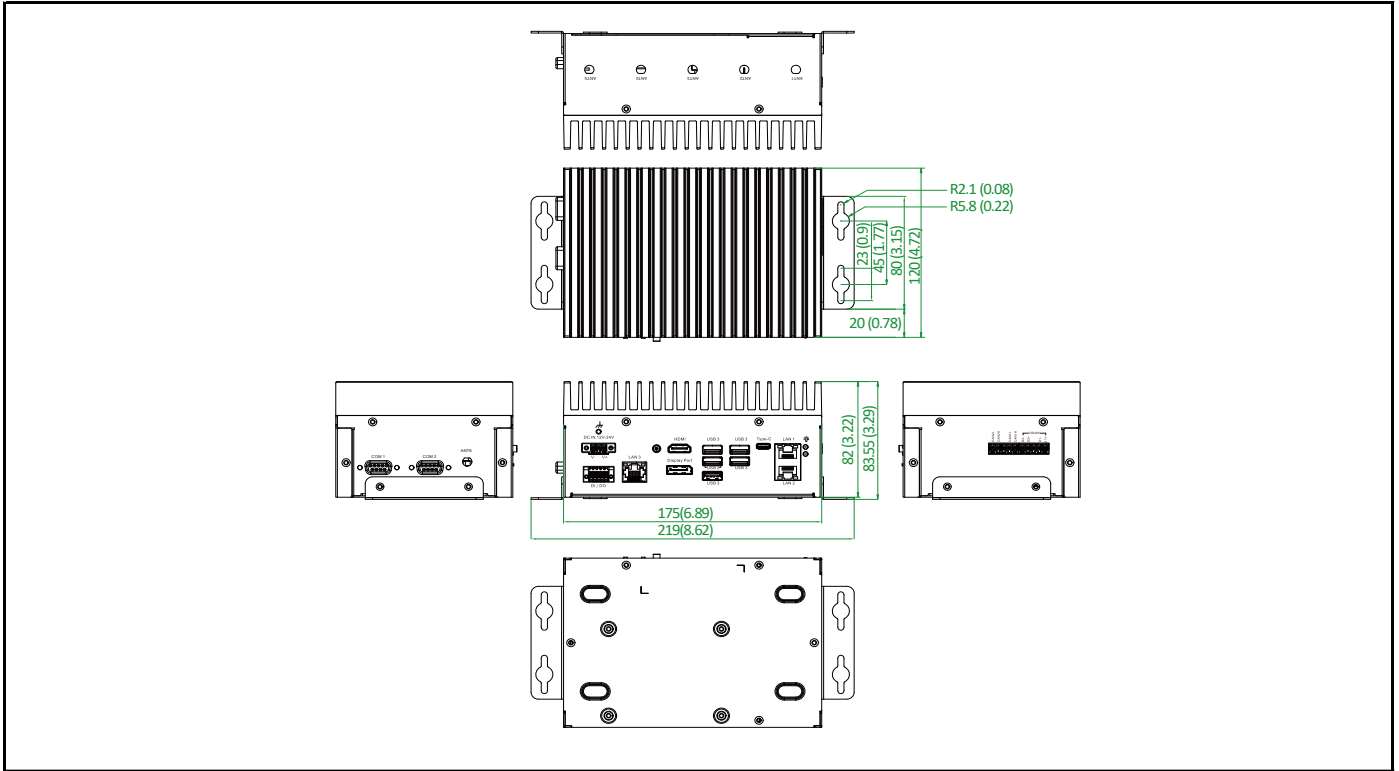
Specifications

System	
CPU	13th Gen Intel® Core™ i7-1365UE, i5-1335UE, i3-1315UE
Memory	Onboard LPDDR5 16 GB (up to 32 GB)
Storage	1 x 2.5" Internal HDD Bay 1 x M-Key 2280, NVMe SSD
Real time clock	Yes
Security	TPM 2.0
Thermal Design	Fanless design
Operating System	Linux Kernel 5.15 LTS & above (64-bit) Windows 10, 11 (64-bit)
Support Protocol	--
Power Requirement	
Input Voltage	12 ~ 24 VDC
Power Consumption	TBD
Power Connector	3 pin terminal block
Environmental and Mechanical	
Dimension	175 x 120 x 82 mm (6.89" x 4.72" x 3.29")
Weight	1.5 kg
Mouting/Installation	--
Operating Temperature	0 ~ 60 °C (32 ~ 140 °F)
Storage Temperature	-40 ~ 80 °C (-40 ~ 176 °F)
Operating Humidity	5% ~ 95% relative humidity (RH), non-condensing
Certification	
Regulations	CE, FCC, RoHs

Interface	
Serial Port	2 x Isolated RS-485 Terminal Block 2 x RS232/422/485 DB9
CAN Bus	2 x Isolated CAN Bus, Terminal Block
Ethernet	1 x RJ45 Intel® I226IT 2.5GbE LAN 1 x RJ45 Intel® I219LM GbE LAN 1 x RJ45 Intel® I210IT GbE LAN
USB	4 x USB 3.2 Gen2 (Type A)(1 x Optional) 1 x USB 2.0 (Type A) 1 x USB 4 Gen4 (Type C)
DI/DO	4 x DI, 4 x DO Isolated (Optional)
AI/AO	--
Display	1 x HDMI 1 x DP
Audio	--
PoE	--
Indicator	1 x Power Green LED 1 x Power Red LED (ATX)
Expansion Slot	1 x M.2 M-Key 2280, PCIe x4 for NVMe SSD 1 x M.2 B-Key 3042/3052, PCIe x1 + USB 3.2/2.0 1 x M.2 E-Key 2230, PCIe x1 + USB 2.0
SIM Slot	1 x Nano SIM Card Socket
Antenna	6 x External Antenna holes
Console port	--
Other Interface	--

Dimension

Unit: mm / inch



Ordering Information

Packing List

- 1 x Screw Pack
- 2 x 5 Pin Terminal block
- 1 x 3 Pin Terminal block
- 1 x 10 Pin Terminal block

Optional Accessories

Part Number / Item

Wi-Fi Module	Wi-Fi Module M.2 2230 with Antenna
4G LTE Module	4G LTE Module M.2 3042 with Antenna
5G Module	5G Module M.2 3052 with Antenna