

# SCI-Q011

Industrial IoT Edge Gateway with  
ARM Cortex-M4



## Features

- LTE 4G Wireless connectivity
- Wireless: CAT-NB/M1, Wi-SUN upon request
- GPS support (via 4G LTE or CAT-NB/M1 Module)
- Data logger with time stamp
- Wide operating temperature -20 ~ 70 °C

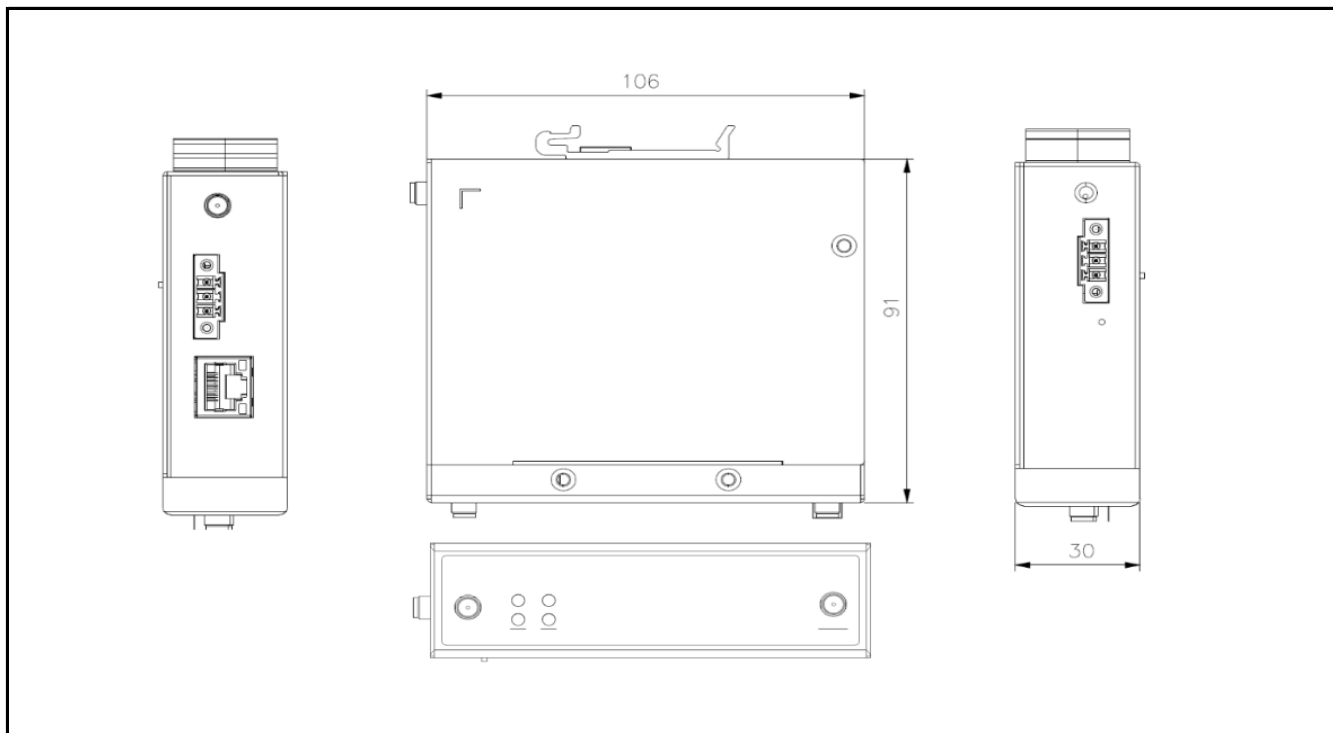
## Specifications

System	
CPU/MCU	ARM Cortex M4
Memory	128 M-bit Flash
Storage	External microSD slot, max. 32 GB
Real time clock	Yes
Indicators	4 x LED indicator
Cellular	1 x mPCIe connector (UART Signal)
Wireless LAN	BT 5.1
Operating System	Non-OS
Support Protocol	Modbus/RTU
Power Supply	
Power Requirement	12/24 VDC
Power Consumption	12V/2.76W, 24V/2.88W, normal used
MTBF (Hours)	--
Environmental and Mechanical	
Dimension	106 x 91 x 30 mm (4.17" x 3.58" x 1.18")
Weight	0.32 kg
Mouting/Installation	Din Rail
Operating Temperature	-20 ~ 70 °C (-4 ~ 158 °F)
Storage Temperature	-40 ~ 85 °C (-40 ~ 176 °F)
Operating Humidity	5% ~ 95% relative humidity, non-condensing
Certification	
Regulations	CE, FCC
Carrier	Planning

Interface	
Serial Port	1 x RS-485 (2W,3W), Terminal Block 3pin
CAN Bus	--
Ethernet	1 x 10/100 Mbps LAN, RJ45
USB	--
ADC	--
DI/DO	--
AI/AO	--
Display	--
Power Connector	1 x Terminal Block 3pin
Debug Port	1 x Micro USB for console
Expansion Slot	1 x SIM card slot 1 x microSD slot
Other Interface	--

## Dimension

Unit: mm / inch



## Ordering Information

### Packing List

- 1 x Antenna
- 1 x DIN Mounting Kits
- 2 x Terminal Block

### Part Number

**2SCI-Q011-01** Protocol Gateway, 4 x DI, 2 x Relay, Ethernet, RS-485, 12/24 VDC

## Optional Accessories

### Part Number / Item

<b>4G LTE</b>	mPCIe 4G LTE Module
<b>CAT-NB/M1</b>	mPCIe 4G CAT-NB/M1 Module
<b>Antenna</b>	Antenna GPS
<b>Adapter</b>	Power Adapter, AC/DC, 100 ~ 240 VAC, 12 VDC/3A, 36W