

# SCI-Q142

Out-of-Band Management with  
ARM Cortex-M4



## Features

- LTE 4G Wireless connectivity
- Wireless: CAT-NB/M1, Wi-SUN upon request
- GPS support (via 4G LTE or CAT-NB/M1 Module)
- Industrial grade programmable digital I/O
- Multiple I/O interface connections for data collection
- Data logger with time stamp
- Wide operating temperature -20 ~ 70°C

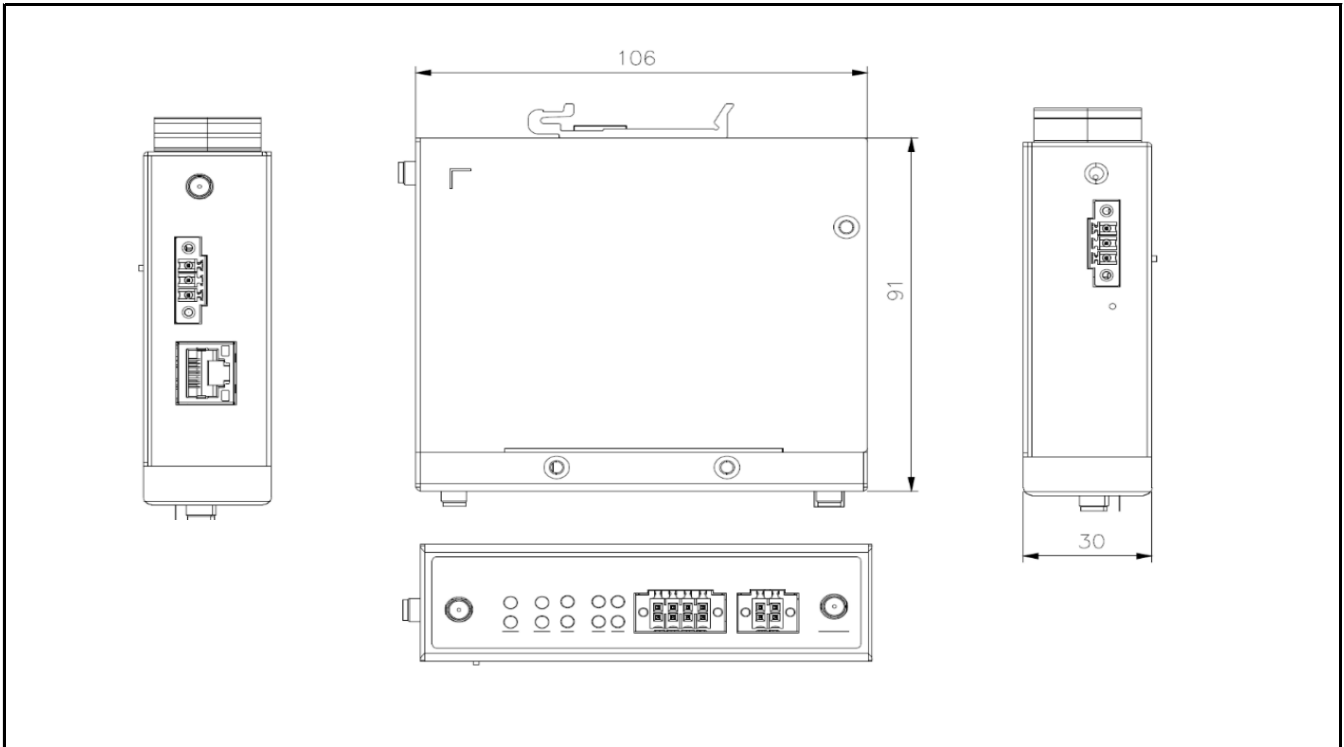
## Specifications

System	
CPU/MCU	ARM Cortex M4
Memory	128 M-bit Flash
Storage	External microSD slot, max. 32 GB
Real time clock	Yes
Indicators	10 x LED indicator
Cellular	1 x mPCIe connector (UART Signal)
Wireless LAN	BT 5.1
Operating System	Non-OS
Support Protocol	Modbus/RTU
Power Supply	
Power Requirement	12/24 VDC
Power Consumption	12V/2.76W, 24V/2.88W, normal used
MTBF (Hours)	--
Environmental and Mechanical	
Dimension	160 x 106 x 27 mm (6.3" x 4.18" x 1.07")
Weight	0.34 kg
Mouting/Installation	Din Rail
Operating Temperature	-20 ~ 70 °C (-4 ~ 158 °F)
Storage Temperature	-40 ~ 85 °C (-40 ~ 176 °F)
Operating Humidity	5% ~ 95% relative humidity, non-condensing
Certification	
Regulations	CE, FCC
Carrier	Planning
Relay	
Connector	Terminal Block (4 pins)
Number of Channels	2 channels
Contact type	1 Form A
Contact rating (resistive)	1 A 250 VAC/per CH 1 A 300 VDAC/per CH

Interface	
Serial Port	1 x RS-485 (2W,3W), Terminal Block 3pin
CAN Bus	--
Ethernet	1 x 10/100 Mbps LAN, RJ45
USB	--
ADC	--
DI/DO	4 x Digital input 2 x Relay
AI/AO	--
Display	--
Power Connector	1 x Terminal Block 3pin
Debug Port	1 x Micro USB for console
Expansion Slot	1 x SIM card slot 1 x microSD slot
Other Interface	--
Digital input	
Connector	Terminal Block (8 pins)
Number of Channels	4 channels
Input types	IEC61131-2 TYPE 3
Input Filter time	Input delay adjustable from 0 to 40 ms: disabled, 0.3 ms, 3 ms, 10 ms, 20 ms, 40 ms
Input mode	DI or event counter
Input counter frequency	20 Hz
Low Input Voltage	< 5 VDC
High Input Voltage	> 11 VDC
Sensor connection	2/3 Wire
External DI power supply	Rated voltage: 24 VDC Range: 9.6 ~ 31.2 VDC
Reverse polarity protection	Yes
Short-circuit proof	Yes
Individual channel diagnostic	Yes

## Dimension

Unit: mm / inch



## Ordering Information

### Packing List

- 1 x Antenna
- 1 x DIN Mounting Kits
- 4 x Terminal Block

### Part Number

**2SCI-Q142-01** Protocol Gateway, 4 x DI, 2 x Relay, Ethernet, RS-485, 12/24 VDC

## Optional Accessories

### Part Number / Item

<b>4G LTE</b>	mPCIe 4G LTE Module
<b>CAT-NB/M1</b>	mPCIe 4G CAT-NB/M1 Module
<b>Antenna</b>	Antenna GPS
<b>Adapter</b>	Power Adapter, AC/DC, 100 ~ 240 VAC, 12 VDC/3A, 36W