

iEC-N148

Short-sized SMARC 2.1 Module with
NXP i.MX 8M Plus Quad Cortex-A53/M7



Features

- NXP i.MX 8M Plus Quad-core Cortex-A53/M7
- Short-sized SMARC (82 x 50 mm) with MXM3 connector
- 8 GB LPDDR4, 32 GB eMMC
- Double display: HDMI 2.0, LVDS
- Industrial operating temperature: -40 ~ 85°C

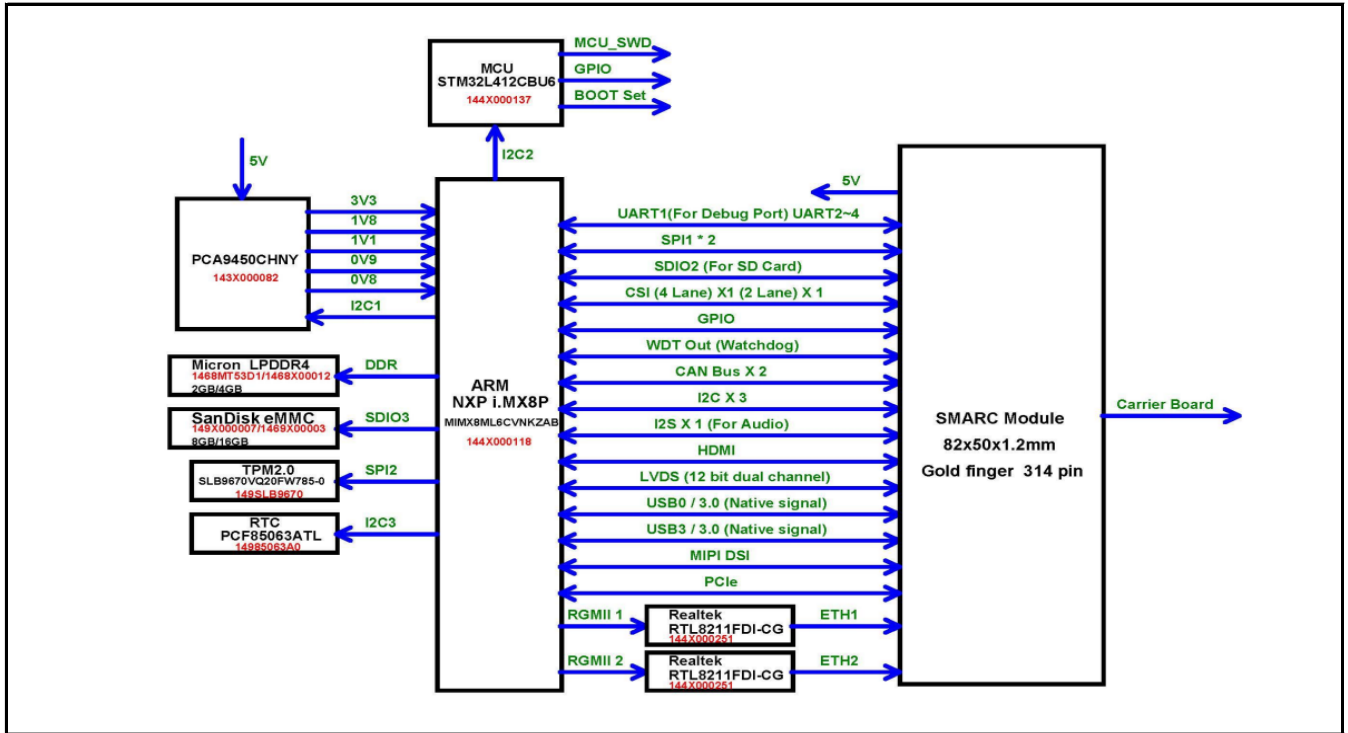
Specifications

System	
CPU/MCU	NXP i.MX 8M Plus Quad-core Cortex-A53/M7 Processor
Memory	8 GB LPDDR4
Storage	32 GB eMMC
Real time clock	--
Indicators	--
Cellular	--
Wireless LAN	--
Operating System	--
Support Protocol	--
Power Supply	
Power Requirement	5 VDC
Power Consumption	--
MTBF (Hours)	--
Environmental and Mechanical	
Dimension	82 x 50 mm (3.22" x 1.96")
Weight	0.02 kg
Mouting/Installation	--
Operating Temperature	-40 ~ 85 °C (-40 ~ 185 °F)
Storage Temperature	-40 ~ 85 °C (-40 ~ 185 °F)
Operating Humidity	5% ~ 95% relative humidity, non-condensing
Certification	
Regulations	--
Carrier	--

Interface (Supply by carry board)	
Serial Port	--
CAN Bus	2 x CAN Bus
Ethernet	2 x Ethernet 10/100/1000
USB	2 x USB 3.0
ADC	--
DI/DO	--
AI/AO	--
Display	1 x HDMI 2.0 1080P @60 1 x 4-Lane LVDS
Video Input	MIPI CSI 4-lane, MIPI DSI 4-lane with PHY
Power Connector	--
Debug Port	--
Expansion Slot	1 x SD slot 1 x PCIe Gen3
Other Interface	2 x SPI 5 x GPIO 1.8 VDC

Block Diagram

Unit: mm / inch



Ordering Information

Part Number	Description
2IEC-N148-01	SOM, NXP i.MX 8M Plus, 1.6 GHz, 4G RAM, 32 GB eMMC