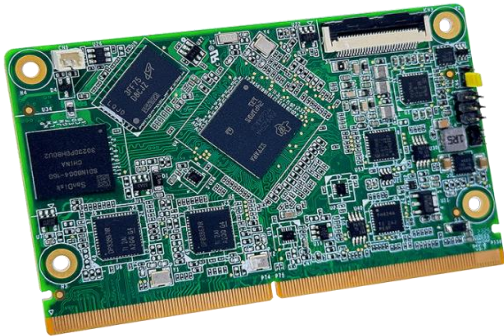


iEC-N241

Short-sized SMARC 2.1 Module with
TI AM625 Quad Cortex-A53



Features

- TI AM625, Quad-core ARM Cortex-A53
- Short-sized SMARC (82 x 50 mm) with MXM3 connector
- 2 GB LPDDR4, 16 GB eMMC
- Double display: HDMI 1.4a, LVDS
- Industrial operating temperature: -40 ~ 85°C

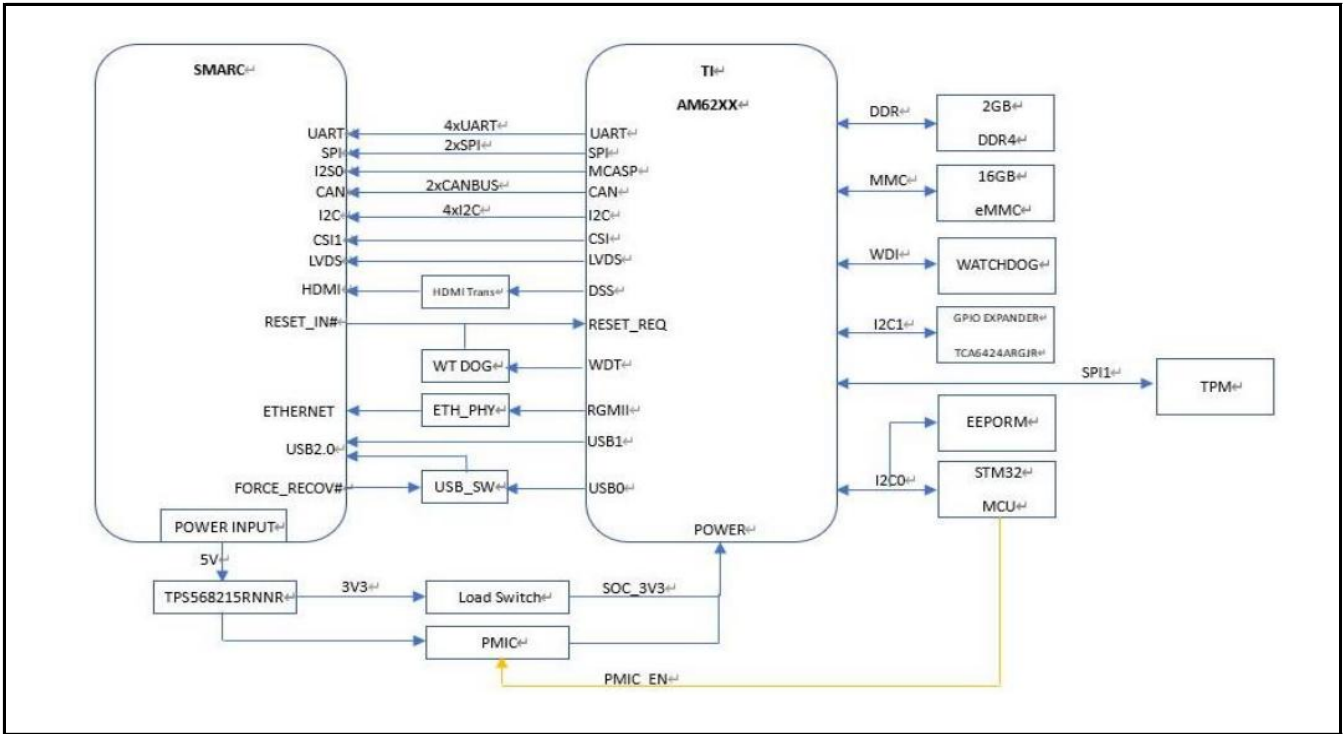
Specifications

System	
CPU/MCU	AM625, Quad-core Cortex-A55 @1.4 GHz Processor
Memory	2 GB LPDDR4
Storage	16 GB eMMC
Real time clock	--
Indicators	--
Cellular	--
Wireless LAN	--
Operating System	--
Support Protocol	--
Power Supply	
Power Requirement	5 VDC
Power Consumption	--
MTBF (Hours)	--
Environmental and Mechanical	
Dimension	82 x 50 mm (3.22" x 1.96")
Weight	0.02 kg
Mouting/Installation	--
Operating Temperature	-40 ~ 85 °C (-40 ~ 185 °F)
Storage Temperature	-40 ~ 85 °C (-40 ~ 185 °F)
Operating Humidity	5% ~ 95% relative humidity, non-condensing
Certification	
Regulations	--
Carrier	--

Interface (Supply by carry board)	
Serial Port	2 x 2-Wire 2 x 4-Wire
CAN Bus	--
Ethernet	2 x Ethernet 10/100/1000
USB	2 x USB 2.0
ADC	--
DI/DO	--
AI/AO	--
Display	1 x HDMI 1.4a 1080P @60 1 x 4 Lane LVDS
Video Input	MIPI CSI 1.3, MIPI D-PHY 1.2 4 Lane
Power Connector	--
Debug Port	--
Expansion Slot	--
Other Interface	--

Block Diagram

Unit: mm / inch



Ordering Information

Packing List

--

Part Number

2IEC-N241-01	SOM, TI AM625, 1.4 GHz, 2G RAM, 16 GB eMMC
--------------	--