

# ACS-R5401FL

Fanless Rackmount with Atom N270, 2 x Giga LAN, 8 x 10/100M LAN, 8/16 x Serial Ports, 6 x USB 2.0

Console Server



## Features



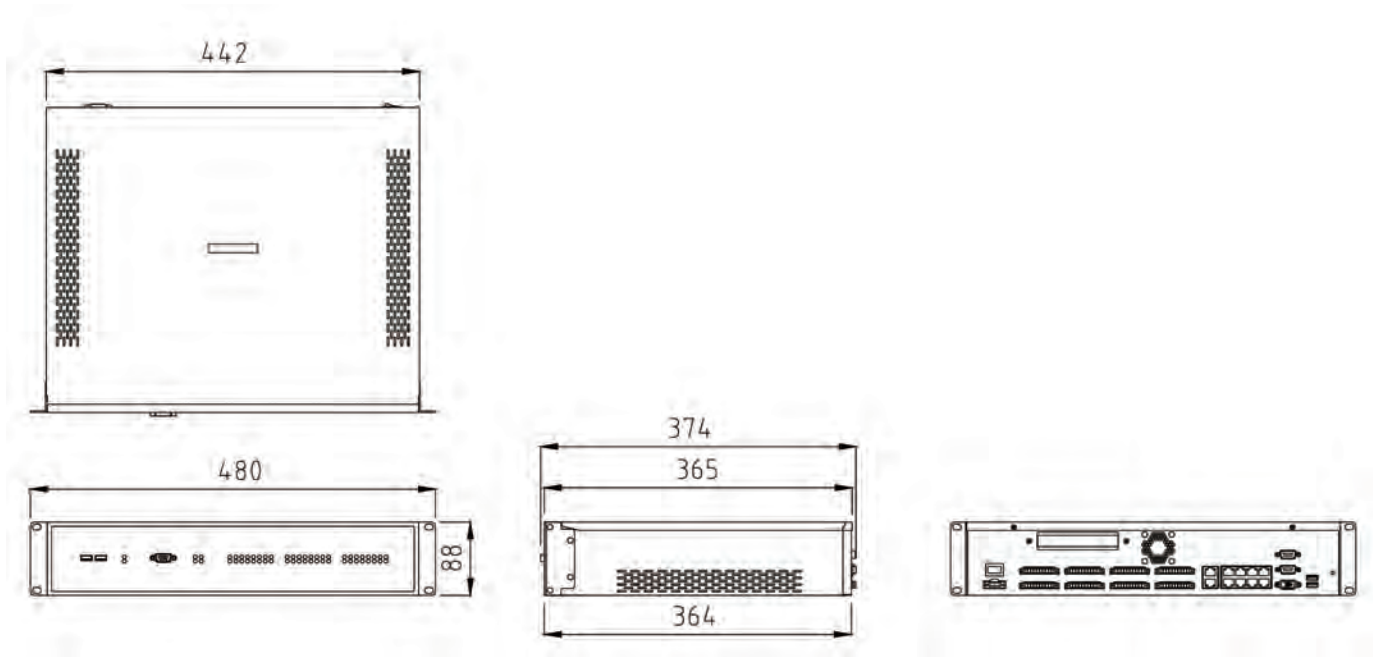
- Rackmount Fanless system
- Atom N270 CPU
- Onboard 1GB DDR2 and 1 x SO-DIMM Socket
- 8/16 x RS-232/422/485 with ESD protected
- 3 x RS-232 DB9 connector
- 2 x Giga LAN and 8 x 10/100M LAN
- Compact Flash Type II card
- 3.5" SATA HDD

CE FC

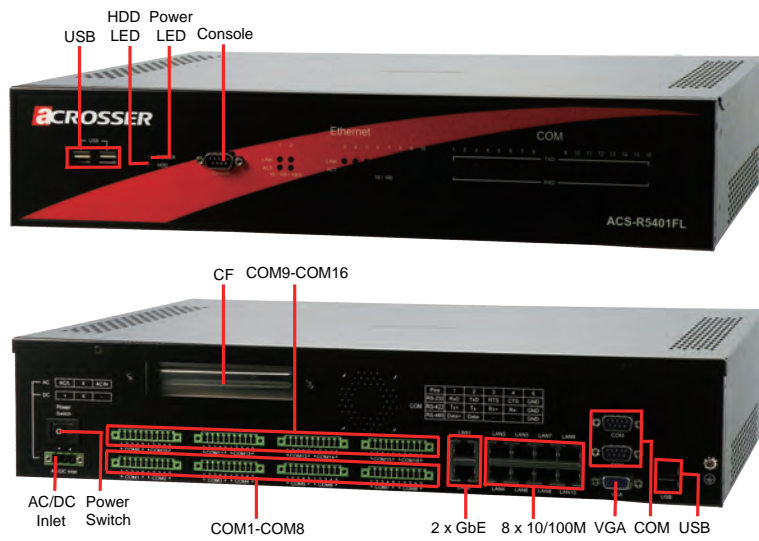
## Specification

System	
<b>CPU</b>	On-board Intel Atom N270 1.6GHz CPU
<b>Chipset</b>	Intel 945GSE + Intel ICH7M
<b>Front Side Bus</b>	533MHz
<b>Memory</b>	<ul style="list-style-type: none"> <li>● One DDR2 533MHz SO-DIMM Socket, up to 2 GB</li> <li>● 1GB pre-installed</li> </ul>
Video	
<b>Graphic Controller</b>	Intel 945GSE integrated GMA950 graphic controller
<b>Video Memory</b>	DVMT 3.0 Maximum 224MB shared
<b>Video Interface</b>	<ul style="list-style-type: none"> <li>● 1 x VGA port (DB15)</li> </ul>
Storage	
<b>IDE</b>	-
<b>SATA</b>	2 x SATA II port
<b>CF</b>	1 x Compact Flash Type I/II socket support UDMA
<b>Disk Bay</b>	1 x 3.5" bracket
I/O	
<b>Ethernet</b>	2 x Giga LAN port and 8 x 10/100M LAN port
<b>USB</b>	6 x USB 2.0 (4 x external port, 2 x pin header)
Other Feature	
<b>PS/2</b>	-
<b>Audio</b>	-
<b>Hardware</b>	CPU voltage, CPU and system temperature
<b>Monitoring</b>	
<b>WatchDog Timer</b>	Software programmable 1~255 sec.
<b>Indicator</b>	Power, HDD, COM, LAN
<b>GPIO</b>	-

Power Requirement	
<b>Power Input</b>	88~132 / 176~264V AC & 248~373V DC
Software	
<b>OS Support</b>	Win XP, XPE, Fedora Core 6 / 7 / 8
UART Function	
<b>ACS-R5401/8P</b>	8 x isolated RS-232/422/485, Phoenix terminal block 3 x non-isolated RS-232 (DB9)
<b>ACS-R5401/16P</b>	16 x isolated RS-232/422/485, Phoenix terminal block 3 x non-isolated RS-232 (DB9)
RS-232/422/485 ports are individually jumper-selectable Automatic RS-485 data flow control 2KV isolation protection & 8KV/15KV ESD protection	
Mechanical & Environment	
<b>Thermal Design</b>	Fanless
<b>Chassis Material</b>	Aluminum
<b>Dimension</b>	442 x 88 x 374 mm
<b>Operating Temp.</b>	0 ~ 55°C (32 ~ 131°F)
<b>Storage Temp.</b>	-20 ~ 80°C (-4 ~ 176°F)
<b>Relative Humidity</b>	0 ~ 90% @ 40°C, non-condensing
<b>Safety</b>	CE, FCC class A



I/O Connectors



Packing List

- 1 x ACS-R5401FL
- 1 x Utility CD
- 1 x Quick user manual
- 1 x Console Cable
- 1 x SATA Cable
- 1 x SATA power cable
- 2 x Rackmount mounting bracket
- Phoenix Terminal Block kit
- 2 x HDD mounting bracket

Ordering Information

- ACS-R5401FL/8P** Fanless Rackmount with Atom N270, 2 x Giga LAN, 8 x 10/100M LAN, 8 x Serial Ports, 6 x USB 2.0
- ACS-R5401FL/16P** Fanless Rackmount with Atom N270, 2 x Giga LAN, 8 x 10/100M LAN, 16 x Serial Ports, 6 x USB 2.0