

N270DT Series

Features

- ▶ Intel Atom N270 1.6GHz Processor built-in
- ▶ 320GB HDD & 1GB DDR2 RAM Default
- ▶ Low Power Consumption
- ▶ Fanless Design
- ▶ Overlay Resistive USB Touch Screen
- ▶ Front Panel IP65
- ▶ DC 11~32V wide range power input
- ▶ Additional DB15-VGA output

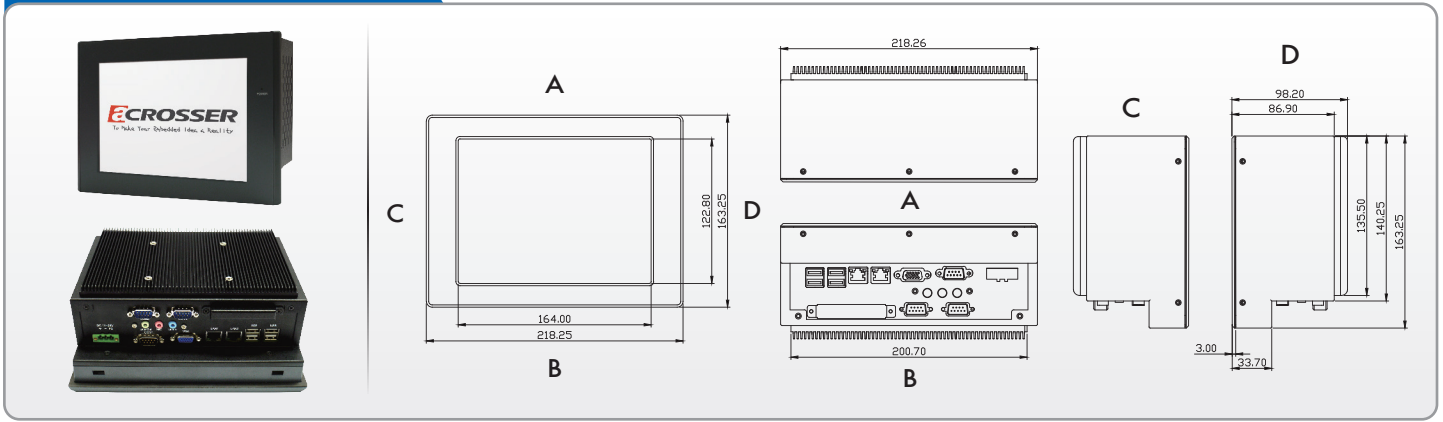


Specification

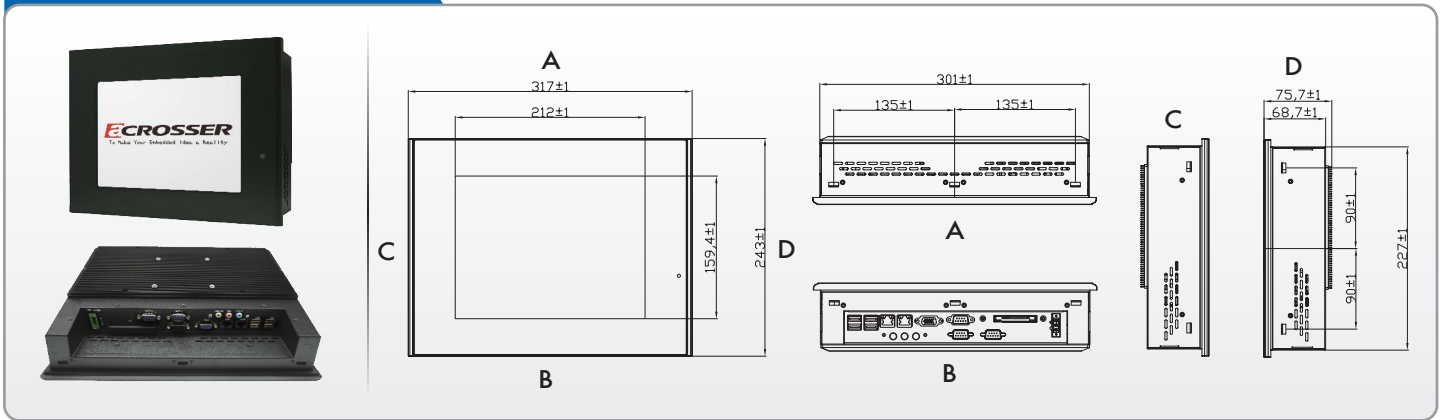
Model Name	AR-H082FL-N270DT	AR-H100FL-N270DT	AR-H120FL-N270DT
System			
CPU	Intel® Atom™ N270 1.6GHz Processor built-in, FSB 533MHz		
Chipset	Intel® 945GSE + ICH7M		
Memory Type	1 x 200-pin SO-DIMM socket, support 533MHz up to 2GB SDRAM		
Memory Pre-Installed	Default 1GB		
LCD			
Panel Size	8" TFT-LCD	10" TFT-LCD	12" TFT-LCD
Max. Resolution	800 x 600	800 x 600	800 x 600
Luminance (cd/m ²)	350	250	350
View Angle	H:130° / V:110°	H:130° / V:110°	H:140° / V:110°
Backlight Lifetime	40,000 hrs	30,000 hrs	50,000 hrs
Touch Screen Type	Overlay Resistive		
Storage			
HDD	1 x 2.5" SATA HDD Bay		
CF	1 x External CF slot		
I/O			
Video Interface	1 x VGA		
Ethernet	2 x GbE, RJ45 with LED		
USB	4 x USB 2.0		
Serial Port	2 x RS-232 (DB9), 1 x RS-R232/422/485 (DB9, Default RS232)		
Audio	1 x Audio Line-in / Line-out/ Mic-in		
Expansion	N/A		
Power Requirement			
Power Input	DC 11~32V with Adapter		
Software			
OS Support	Win CE 5.0/6.0, Windows XP Professional, XP Embedded, Windows Embedded Standard 7		
Mechanical & Environment			
Thermal Design	Fanless		
Chassis Material	Plastic molding front panel and metal casing		
Dimension (W x H x D)	231mm x 176mm x 99mm	317mm x 243mm x 75.7mm	317mm x 243mm x 75.7mm
Net Weight	3.5Kgs	3.5Kgs	3.5Kgs
IP Rating	NEMA 4 / Front panel IP65		
Mounting	Panel Mount / VESA 75 x 75		
Operating Temp.	0~50°C		
Storage Temp.	-20~60°C		
Relative Humidity	10 to 90% @ 40°C, non-condensing		
Safety	CE, FCC class A		

Dimension

AR-H082FL-N270DT



AR-H100FL-N270DT



AR-H120FL-N270DT

