

Stainless-D525DT Series

Features

- ▶ Intel Atom D525 1.8GHz built-in
- ▶ 320GB HDD & 2GB DDR3 RAM Default
- ▶ Mainstream Performance
- ▶ Fanless Design
- ▶ Resistive USB Touch Screen
- ▶ Front panel IP65 / 6 sides IP42 with waterproof kit
- ▶ DC 11~32V wide range power input
- ▶ Stainless Steel Casing
- ▶ OSD LED Light at right side

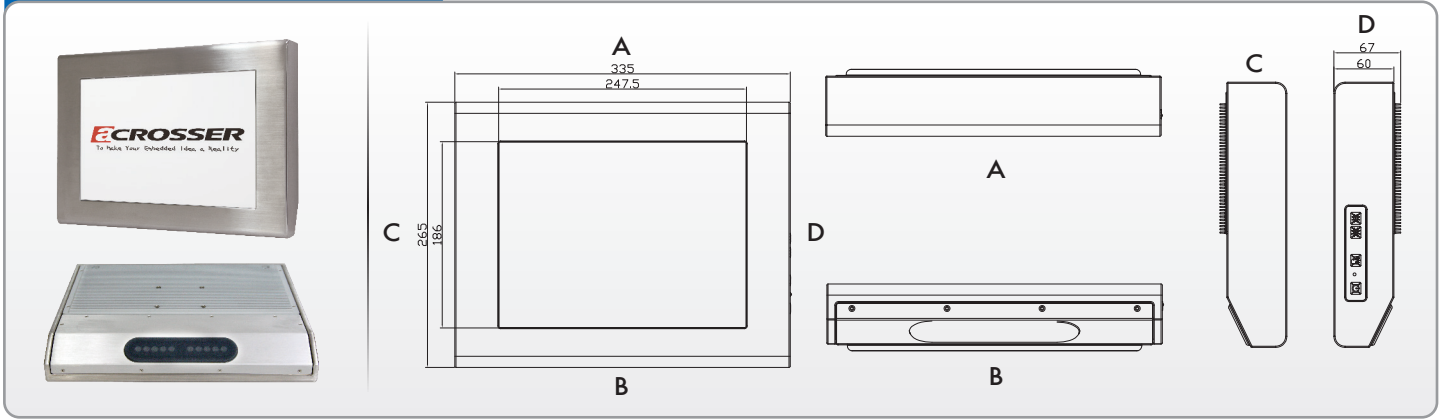


Specification

Model Name	AR-S120FL-D525DT	AR-S150FL-D525DT
System		
CPU	Intel® Atom™ D525 1.8GHz built-in	
Chipset	Intel® ICH8M	
Memory Type	1 x 204 Pin DDR3 800MHz SO-DIMM slot	
Memory Pre-Installed	2GB Default	
LCD		
Panel Size	12.1" TFT-LCD	15" TFT-LCD
Max. Resolution	800 x 600	1024 x 768
Luminance (cd/m ²)	350	400
View Angle	50,000hrs	
Backlight Lifetime	H:170° / V:160°	
Touch Screen Type	Resistive	
Storage		
HDD	1 x 2.5" SATA HDD Bay	
CF	1 x Internal CF slot	1 x Internal CF slot, 1 x External CF slot
I/O		
Video Interface	N/A	
Ethernet	2 x 10/100Mbps RJ45 with LED	
USB	4 x USB 2.0	
Serial Port	1 x RS-232 (DB9), 1 x RS-232/422/485 (DB9, Default RS485)	
Audio	1 x 7 pin terminal block for 2 in/out , 1 ground, 1 switch ±1 x DC power input	
Expansion	OSD keypad Brightness / Screen and Touch on/off / Power on/off At right side	
Power Requirement		
Power Input	DC 11~32V with Adapter	
Software		
OS Support	Windows XP, XP Embedded, Window 7, Windows Embedded Standard 7	
Mechanical & Environment		
Thermal Design	Fanless	
Chassis Material	Stainless Steel	
Dimension (W x H x D)	335 mm x 265 mm x 67mm	399 mm x 324 mm x 67mm
Net Weight	4 kgs	7.5 kgs
IP Rating	Front panel IP65 / 6 sides IP42 with waterproof kit	
Mounting	VESA 75 x 75	
Operating Temp.	0~50°C	
Storage Temp.	-20~60°C	-30~80°C
Relative Humidity	10 to 90% @ 40°C, non-condensing	
Safety	CE, FCC class A	

Dimension

AR-S120FL-D525DT



AR-S150FL-D525DT

