

ACM-ICLDE7

Intel ICE LAKE D COM Express Basic Type 7 Module



Features

- Intel® SoC XEON™ D LCC series, max TDP 70W
- DDR4 socket x4
- Gigabit Ethernet x 1, 10 GbE x4
- No Display, No Audio
- SATA x 2, USB3.0/2.0 x4
- 1x PCIe[x16], 1x PCIe[x8] + 4x PCIe[x2]
- GPIO x8, SMBus, I2C, LPC
- COM Express Basic size, Type 7, 125mmx95mm



Specification

System

CPU	Xeon® D, LLC, up to 10c/20t CPU TDP up to 70W
Chipset	Intel xeon D SoC
Memory	4 x DDR4 SODIMM(Support ECC function) up to 128GB Default configuration: 4 x 32GB
BIOS	AMI
WatchDog Timer	Software programmable 0~255 sec

Storage (Support by Carrier Board)

SATA	• 2 x SATA III with 6Gb/s
------	---------------------------

I/O (Support by Carrier Board)

Ethernet Chip	1 x Intel I210AT GbE Lan, supports PXE Boot
Expansion Interface	32 x PCI-e 3.0 Lanes • 1 x PCI-e 3.0 x16 (or 2 x PCI-e x 8) • 1 x PCI-e 3.0 x 8 4 x PCI-e 3.0 x2 Lanes
Serial Interface	2 x COM port Interface (TX/RX only)
USB	4 x USB 3.2 Gen1 , 4 x USB 2.0
GPIO	8-bit Digital I/O
Audio Codec	Intel HD Audio Channel

Software

OS Support	• Linux Kernel 4.9 & above
------------	----------------------------

Mechanical & Environment

Dimension	125 mm x 95 mm (4.92" x 3.74") COM Express Basic
Weight	TBD
Operating Temp.	0~60oC (32~140oF)
Storage Temp	-20~80oC (-4~176oF)
Relative Humidity	0 to 90%, non-condensing
Safety	CE, FCC compliant

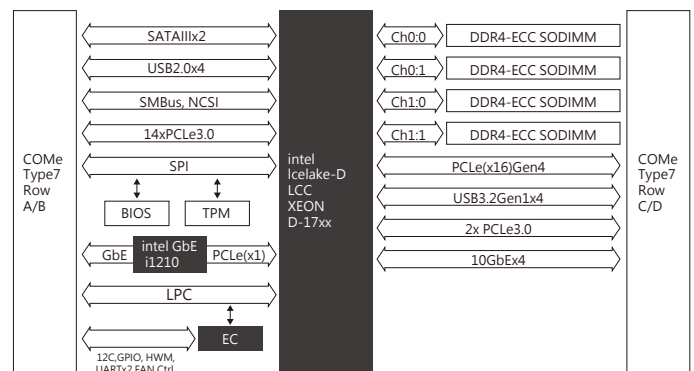
Packing List

- 1 x ACM-ICLDB7
- 1 x CD Title
- 1 x Quick Guide

Ordering Information

ACM-ICLDE7	Intel Xeon D, COM Express Basic Type 7 Module
------------	---

Block Diagram



Embedded CPU Chart

ICELAKE-D LCC Sku	CPU Cores	Tcase Temp	TDP	Embedded sku
D-17xxER	10c	0°C~80°C	67W	Yes
D-17xxTR	8c	0°C~80°C	59W	Yes
D-17xxTER	4c	-40°C~80°C	50W	Yes