

R2314I-IM-A

Mini-ITX, AMD Ryzen™ Embedded R2314 APU, 2 x SO-DIMM

Features

- Support four independent displays
- Support max three 4K displays
- Up to 7-year longevity supply
- Wide temperature range endurance: 0~60°C



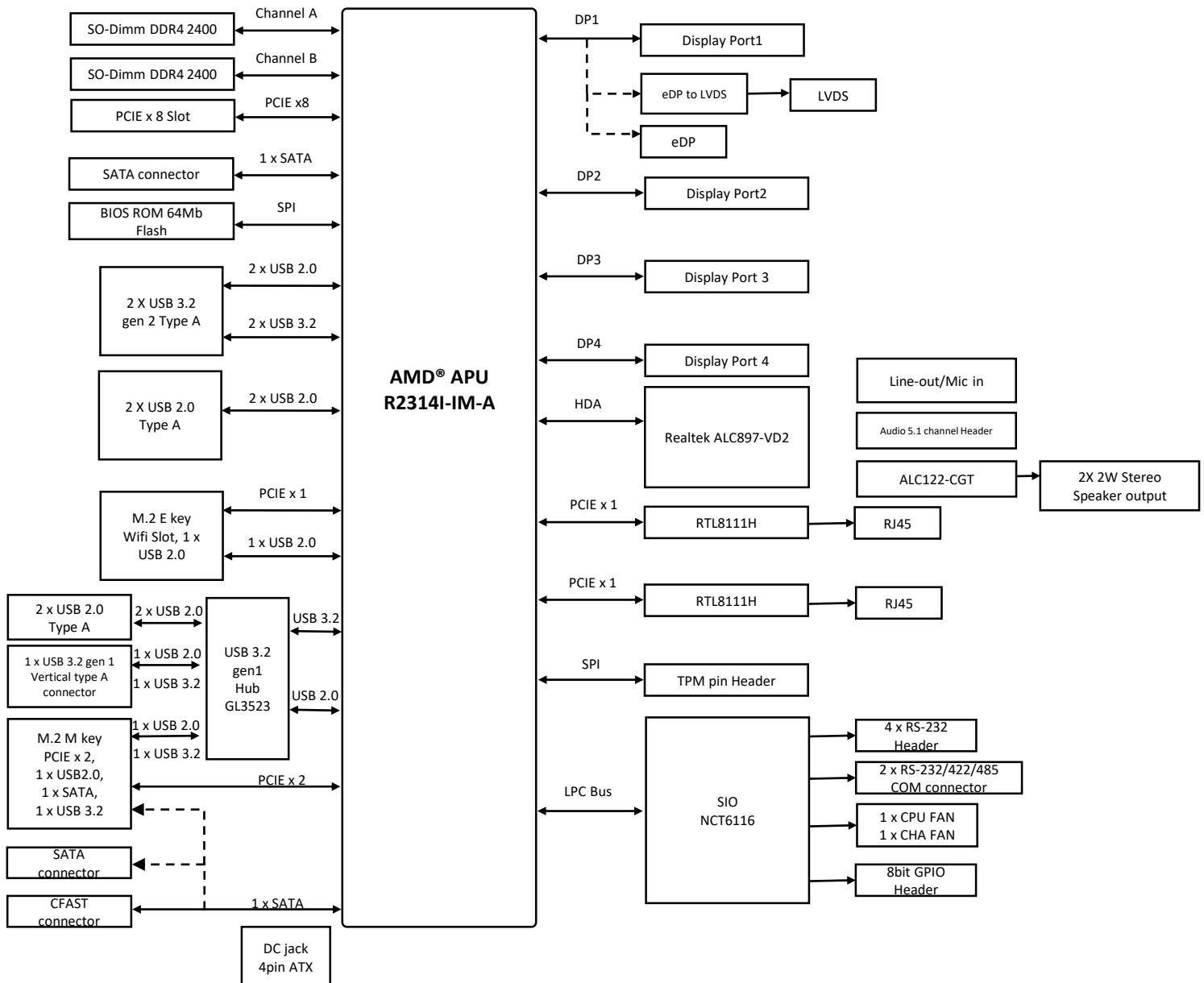
Specifications

Processor System	APU	AMD Ryzen™ Embedded R2314
Memory	Technology	DDR4 up to 2667 MHz, ECC support
	Max.	32GB
	Socket	2 x SO-DIMM
Display	Display Port	4, max. resolution 3840x2160 @60Hz
	Multi Display	Default: 4DP By request: 3DP+LVDS or 3DP + eDP
Expansion Slot	PCIe	1x PCIe 3.0 x8 slot (x8 mode)
	M.2	1 x M.2 Socket 1 with E key, type 2230 (PCIe x1, USB 2.0) 1 x M.2 Socket 3 with M key, type 2242/2260/2280 (PCIe x2, SATA)
Ethernet	Speed	10/100/1000Mbps
	Controller	2 x Realtek® 8111H, support WOL/PXE
	Connector	2 x RJ-45
Audio	Codec	Realtek® ALC 897 codec
	Connector	2 x Audio jacks (1 x Mic-in, 1 x Line-out) 2 x 2W Stereo Speaker output 1 x 5.1 channel (internal pin header)
Storage	Default	1 x SATA port Gen 3.0, up to 6Gb/s 1 x M.2 (Key M, 2242 / 2260 / 2280) PCIe x2 and SATA mode* 1 x CFAST* *If CFAST is enabled, M.2 SATA mode will be disabled, and vice versa. You may configure this setting in the BIOS.
	Per request	2 x SATA port Gen 3.0, up to 6Gb/s 1 x M.2 (Key M, 2242 / 2260 / 2280) PCIe x2
Rear I/O	Display Port	• Default: 4DP • By request: 3DP+LVDS
	USB 3.2 Gen2 Type-A ports	2 x ports
	USB 2.0 Type-A ports	2 x ports
	Ethernet	2 x RJ45 ports
	Serial Port	2 x COM connectors (support RS232/422/485)
	Audio jack	1 x Mic in 1 x Line out
	Power	1 x DC jack (lockable)
Internal I/O Connectors	Serial Port	4 x header (RS-232); COM3 colay CCTalk & COM4 colay TTL (BOM option)
	USB 3.2 Gen1	1 x Type A vertical connector
	USB 2.0	1 x header support additional 2 x USB2.0 Connectors
	CPU Fan	1 x header (PWM mode)
	Chassis Fan	1 x header (PWM mode)
	Chassis Intrusion	1 x header
	Front Panel Audio (AAFP)	2 x headers
	System Panel Header	1 x header
	Clear CMOS Jumper	1 x header
	SATA power	2 x header
	LPC Debug	1 x header

Specifications

Internal I/O Connectors	S/PDIF	1 x header
	I ² C	1 x header
	GPIO	1 x header
	AT/ATX Select	1 x header
	Power Connector	1 (4 pin)
Watchdog Timer	H/W	Yes
Security	TPM	1 x SPI TPM header
Power	Power Type	DC-in (ATX and AT mode supported)
	Voltage	DC-in 12V ~ 24V
OS & Software Support	Microsoft Windows	Windows® 10 (64bit) / Win10 IoT Enterprise / Windows 11
	Linux	Ubuntu, RedHat Enterprise, Fedora Workstation, OpenSUSE
Environment	Operating Temperature	0~60° C
	Non-Operating Temperature	-40~85° C
	Relative Humidity	Operational humidity: 40° C@10%~95%
Mechanical	Dimensions	Mini-ITX, 170 x 170 mm
Certification	EMC	CE, FCC, VCCI, BSMI, RCM
	Safety	CE-LVD

Block Diagram



Order Information

Model name	Part number	Description
R2314I-IM-A	90ME04N0*	SOC, R2314, 4*DP, MB

* The part number might vary for different regulations and package. Please consult the TPM in your region for exact 90PN.

Packing List

Part number	Description	Quantity
13020*	IO shield	1
14013*	SATA 6G CABLE	1
13020*	M.2 screw pack	1
13071*	Fansink backplane	1
13070*	Fansink	1

* The part number might vary due to part number revision.